



**2.75" Die Cast Recessed Gimbal Trim**  
**25° Adjustability**

- MS5004
- MS5005

**12V Bi-Pin Base MR11 Lamp 20 Watts Max.**

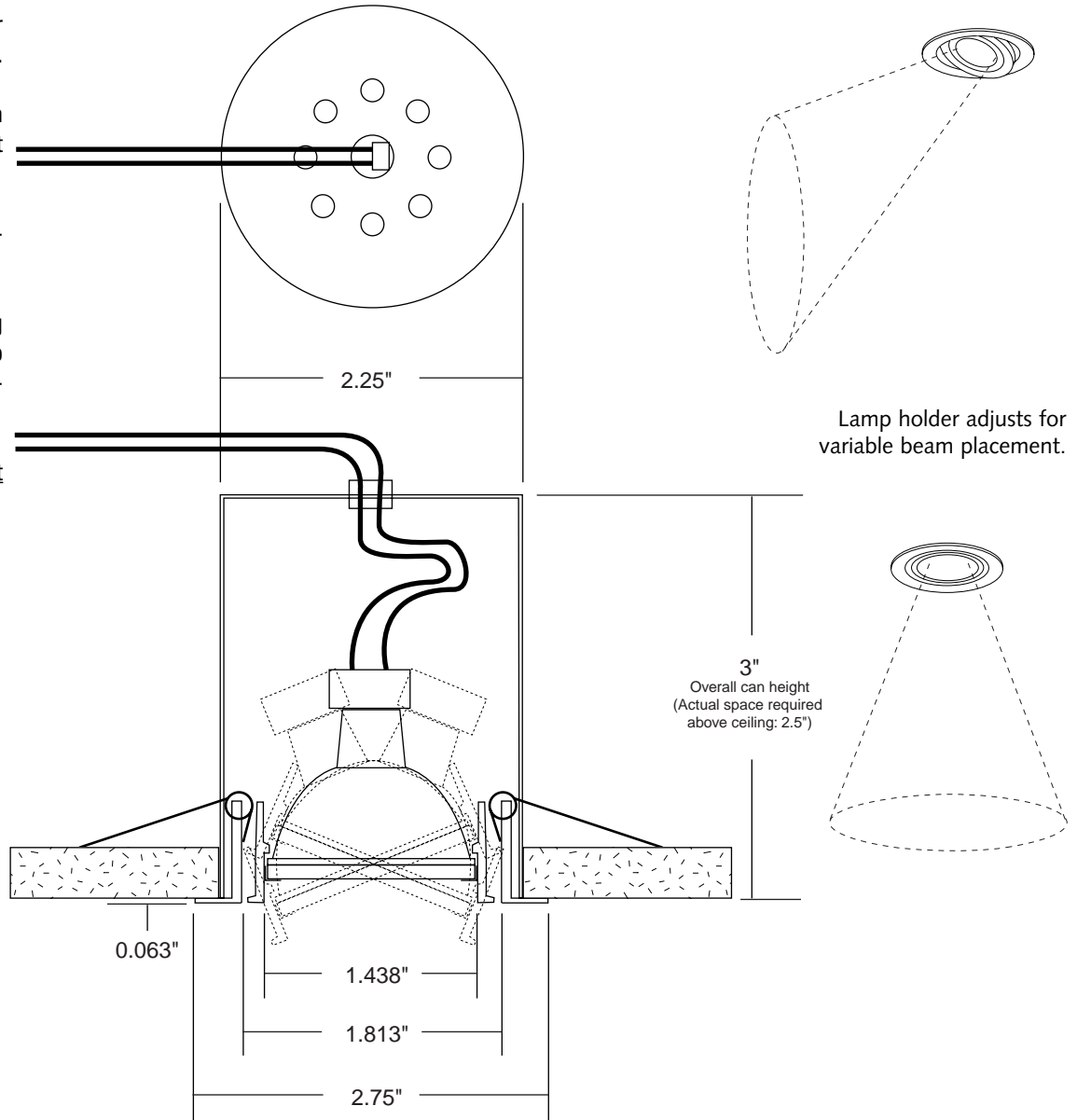
Recessed trim suitable for downlighting applications.

All die cast construction with durable powder coat or plated finish.

Gimbal lamp holder provides 25° adjustability

Includes recessed housing with porcelain bi-pin lamp socket and 30" 18 AWG SF-1 wire leads.

U.L. Listed for undercabinet installations.



Item #	Description	Finish	Trim Dia.	Ceiling Cut-Out	Lamp
MS5004	Recessed Adjustable Gimbal Trim	White	2.75"	2.25"	12 volts Bi-Pin MR11 Halogen 20 watts max.
MS5005		Black			