

Type:

Project:

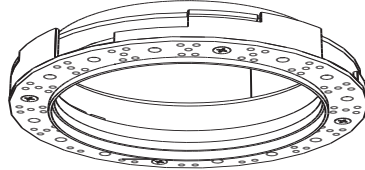


**4" Adjustable Downlight Trimless Fixture  
w/ Internal Specular Reflector  
New Construction Housing - 4.75" Height  
12V Bi-Pin Base MR16 Lamp 75 Watts Max.**

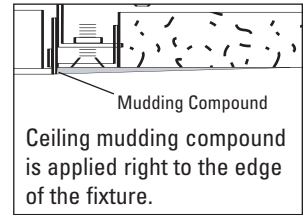
- QCT-1975WH
  - QCT-1975BK
  - QCT-1975S
  - QCT-1975SS
  - QCT-1975PM
- w/ QCT-900 Housing**

**DESCRIPTION:**

Recessed downlight trimless fixture. 360° rotational and 30° (+/- 15°) angle adjustability with angle locking mechanism in trim. Exclusive adjustable mud ring accommodates 1/2", 5/8", 3/4" & 1" ceilings.



Mud Ring adjusts in plaster frame to accommodate 1/2", 5/8", 3/4" & 1" ceilings.



**ELECTRICAL:**

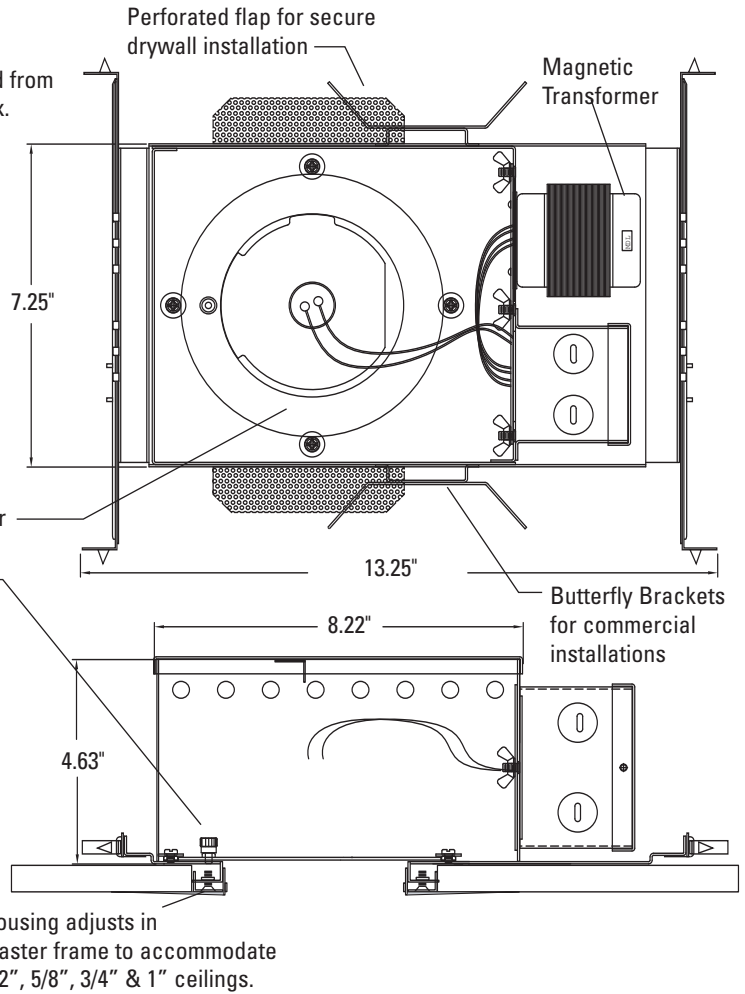
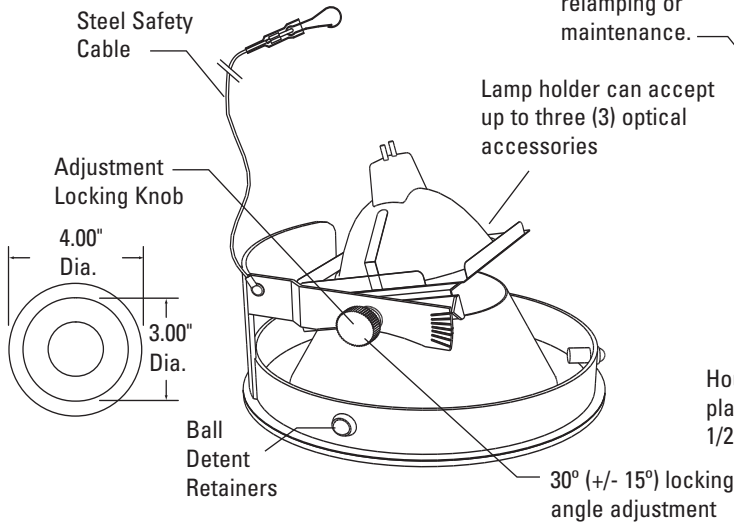
120V input, 12V output. Junction box is U.L. listed for through branch wiring.

**CONSTRUCTION:**

Housing and plaster frame: 18 gauge CRS  
Trim ring, j-box and hanger assemblies: 16 gauge CRS.

**SYSTEM PROTECTION:**

Thermal protection provided to guard against overheating and misuse of insulation over and around fixture. Vent holes in housing provide cooler operation.



Item #	Description	Finish	Voltage / Wattage
QCT-1975WH / QCT-900	Quiet Ceiling Series Adjustable Downlight Trimless Fixture with New Construction Housing w/ Magnetic Transformer	White	12V / 75W Max.
QCT-1975BK / QCT-900		Black	
QCT-1975S / QCT-900		Silver	
QCT-1975SS / QCT-900		Stainless Steel	
QCT-1975PM / QCT-900		Primer	



For 277 volt transformer add "277" to end of item #.