

Type:

Project:

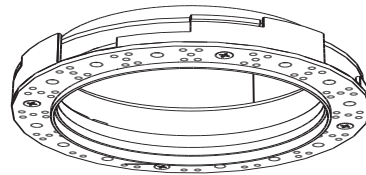


**4" Adjustable Pinhole Trimless Fixture
w/ Hot Aiming Adjustability
New Construction Housing - 4.75" Height
12V Bi-Pin Base MR16 Lamp 75 Watts Max.**

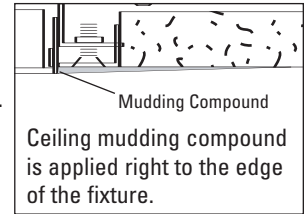
- | | |
|-------------------------------------|-------------------------------------|
| <input type="checkbox"/> QCT-1775WH | <input type="checkbox"/> QCT-1775BK |
| <input type="checkbox"/> QCT-1775S | <input type="checkbox"/> QCT-1775SS |
| <input type="checkbox"/> QCT-1775PM | |
- w/ QCT-900 Housing**

DESCRIPTION:

Recessed pinhole trimless fixture. 360° rotational adjustability and 45° (0° vertical to 45° tilt) angle adjust with angle locking mechanism in trim. Exclusive adjustable mud ring accommodates 1/2", 5/8", 3/4" & 1" ceilings.



Mud Ring adjusts in plaster frame to accommodate 1/2", 5/8", 3/4" & 1" ceilings.



ELECTRICAL:

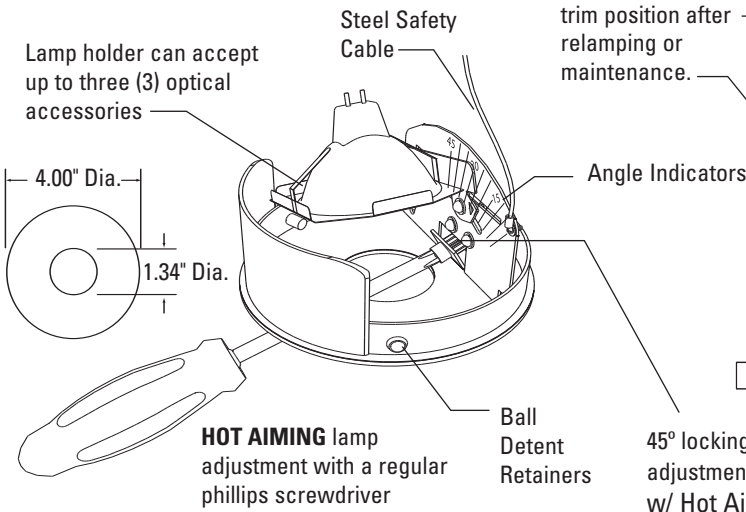
120V input, 12V output. Junction box is U.L. listed for through branch wiring.

CONSTRUCTION:

Housing and plaster frame: 18 gauge CRS
Trim ring, j-box and hanger assemblies: 16 gauge CRS.

SYSTEM PROTECTION:

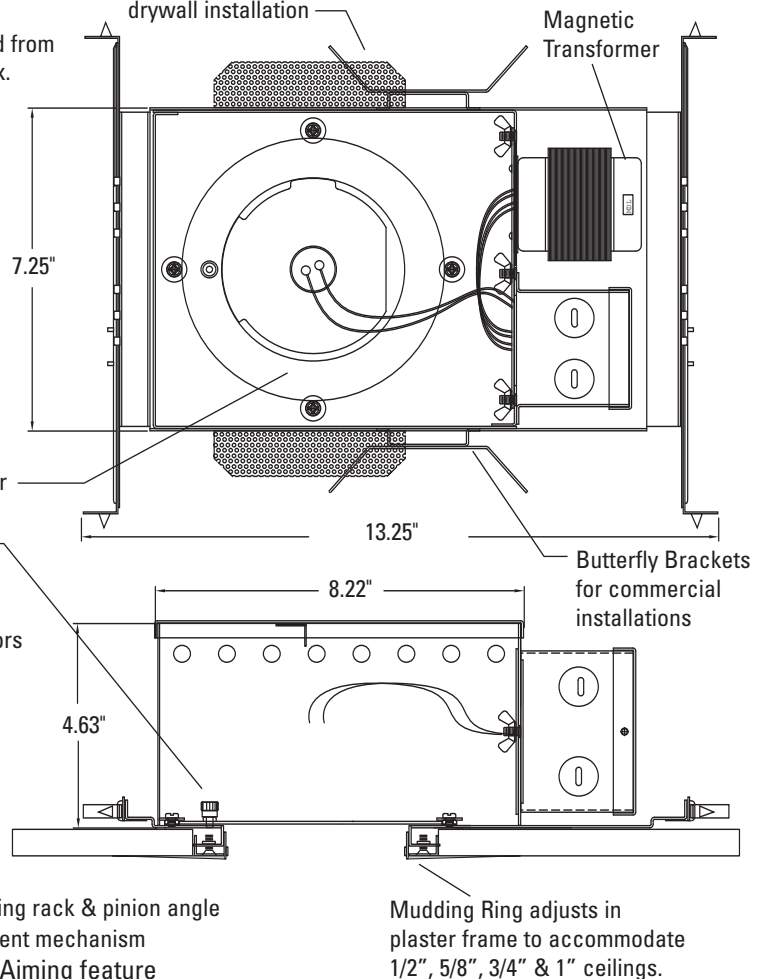
Thermal protection provided to guard against overheating and misuse of insulation over and around fixture. Vent holes in housing provide cooler operation.



Hanger Bars extend from 14.00" to 25.25" max.

Internal rotation ring with locking adjustment. Provides 360° rotation and secures original trim position after relamping or maintenance.

Perforated flap for secure drywall installation



Item #	Description	Finish	Voltage / Wattage
QCT-1775WH / QCT-900	Quiet Ceiling Series Adjustable Pinhole Trimless Fixture with New Construction Housing w/ Magnetic Transformer	White	12V / 75W Max.
QCT-1775BK / QCT-900		Black	
QCT-1775S / QCT-900		Silver	
QCT-1775SS / QCT-900		Stainless Steel	
QCT-1775PM / QCT-900		Primer	



For 277 volt transformer add "277" to end of item #.