

COMBOLIGHT® QUANTUM Series • CQW

FOUR (4) Light Adjustable Wall or Ceiling Mounted Luminaire
 Fixture Configuration "B" • Lamp Groups 1, 2 & 3
 Low Voltage, Line Voltage or Metal Halide

Catalog # _____

Type _____

Project _____

DESCRIPTION:

A wall / ceiling mounted fixture with single arm construction featuring two separate pivot points for maximum flexibility in display illumination.

CONSTRUCTION:

All aluminum construction with durable powder coat finish.

LAMP ASSEMBLY:

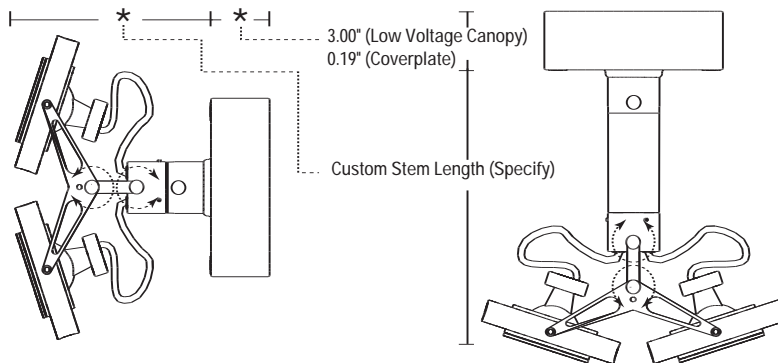
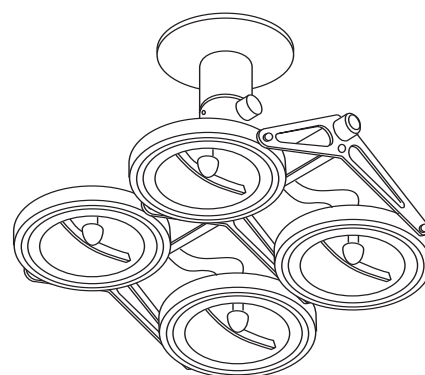
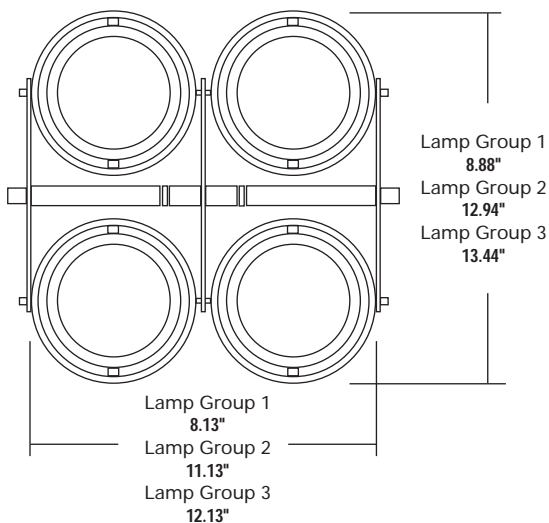
Four lamps mounted in adjustable double gimbal lamp holders. Dual axis 90° x 90° locking adjustability. Lamp column swivels 50°.

ELECTRICAL:

Low voltage and metal halide models are wired for use with remote transformers or ballasts. Custom configurations are available for integral transformers or ballasts - consult RSA factory for details. Low voltage and Line Voltage models are dimmable.

ALL RSA COMBOLIGHT PRODUCTS ARE MADE IN THE U.S.A.

Label: UL, CSA and New York Calendar



Custom configurations are available for integral transformers or metal halide ballasts - consult RSA factory for details.

GRID CONFIGURATION "B"

This sheet is for Grid Configuration "B". To see other grid configurations, consult other ComboLight Quantum Series spec sheets.

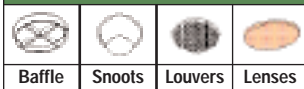
USING THIS SPEC SHEET

This fixture is dimensioned according to lamp type. Please select lamp from either Lamp Group 1, 2 or 3 - and then refer to the appropriate dimensions of fixture as shown above.

Cat. # / Description	Lamp Type	Grid Configuration	Finish	
CQW - Adjustable Wall / Ceiling Mounted Luminaire	Lamp Group 1	11 - MR16 12V 50W	B - Four Light	BK - Black
		12 - MR16 12V 75W		WH - White
		13 - AR70 12V 20W		S - Silver
		14 - AR70 12V 50W		PC - Polished Chrome
		15 - PAR16 120V		PT - Custom
		16 - PAR20 120V		
	Lamp Group 2	21 - PAR20MH 39W		
		22 - PAR30 120V		
		23 - PAR30MH 39W		
		24 - PAR30MH 70W		
		25 - PAR36 12V 50W		
		26 - AR111 12V 35W		
	Lamp Group 3	27 - AR111 12V 50W		
		28 - AR111 12V 75W		
		29 - AR111 12V 100W		
		31 - PAR38 120V		
32 - PAR38MH 70W				
33 - PAR38MH 100W				



Optional Accessories - Details on Other Side



SPECIFY -

B