



INSTALLATION INSTRUCTIONS^{V90086C}

QUIET CEILING REMODEL W/ROUND TRIM

Model: QCT904-RM W/QCT1675/1775



Avoid Fire or Electric Shock

- *Installation Instructions for qualified electricians only.
- *Install per National Electrical Code and local regulations.
- *Read Installation Instructions completely before installation.
- *Failure to follow Installation Instructions may void warranties.



Pre-Installation Preparation

1. Check for Above Ceiling Clearance of 5-1/2". See Fig. 1.
2. Make 7-1/4" diameter Cutout in Ceiling. See Fig. 1.

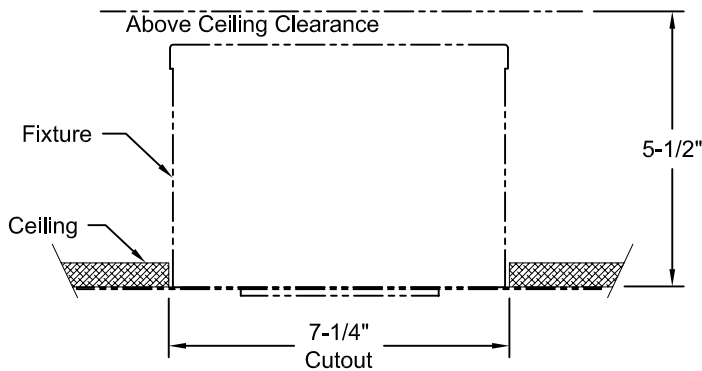


Figure 1

Electrical Connection

1. Turn OFF Electrical Service.
 2. All appropriate electrical "rough" wiring should be completed.
 3. Connect wiring inside J-Box/Transformer Assembly (See Fig. 2) to Existing Electrical Service through Knockouts provided.
- NOTE: Single circuit cable only and/or single fixture with next fixture jumper. Wire single fixture or wire through with second cable (to next fixture) in J-Box/Transformer Assembly.
4. Carefully insert wired J-Box/Transformer Assembly, Flex Cable and Lamp Socket through Ceiling Cutout into available ceiling area (around cutout) avoiding all insulation and combustable surfaces by 3" all around.

Electrical Connection (Con't)

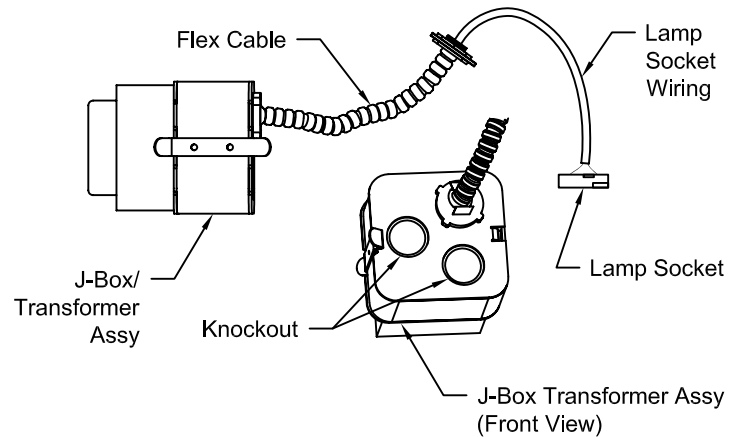


Figure 2

Installation Of Housing

1. Remove factory installed Wiring Access Door on Fixture. See Fig. 3. Retain Wing Nuts and Door for re-installation.
2. Fold three (3) Rotational Clamp Brackets tight against Fixture (See Fig. 4) making sure Brackets are in upper most (highest) threaded position (See Fig. 5) to accommodate largest ceiling thickness.
3. Insert Fixture into Ceiling Cutout (See Fig. 1), rotating to orient Square Aperture to desired position relative to adjacent wall(s), other fixtures, aperture alignments, etc.
4. OPTIONAL: Retain orientation by installing two (2) or three (3) drywall/zip screws into outer perimeter of Perforated Mudding Frame.
5. Holding Fixture firm to ceiling surface, drive clockwise the three (3) #8 x 3" Set Screws (See Fig. 5) located on the underside of Perforated Mudding Frame (See Fig. 6) to rotate and lock the Rotational Clamp Brackets to the ceiling. DO NOT overtighten the Screws or Rotational Clamp Brackets. (Overtightening may crack ceiling material.)
6. Reach inside and through Fixture Wiring Access Opening and locate Lamp Socket, Flex Cable, J-Box/Transformer Assembly. See Fig. 6.
7. Pull Lamp Socket and Lamp Wiring into inside of Fixture. See Fig. 6.
8. Slide Conduit Ring (See Fig. 6) into Slot (See Fig. 5) in Wiring Access Opening.
9. Re-install Wiring Access Door over Conduit Ring. Secure with Wing Nuts removed earlier.



INSTALLATION INSTRUCTIONS (Con't)

QUIET CEILING REMODEL W/ROUND TRIM

Model: QCT904-RM W/QCT1675/1775

V90086C



Installation Of Housing (Con't)

- Carefully tuck Lamp Socket Wiring out of way inside Fixture until needed for future trim installation.
- OPTIONAL: Install additional drywall/zip screws into Perforated Mudding Frame to guarantee flatness before Mudd-In.
- Tape and Mudd Perforated Mudding Frame until sufficiently smooth.

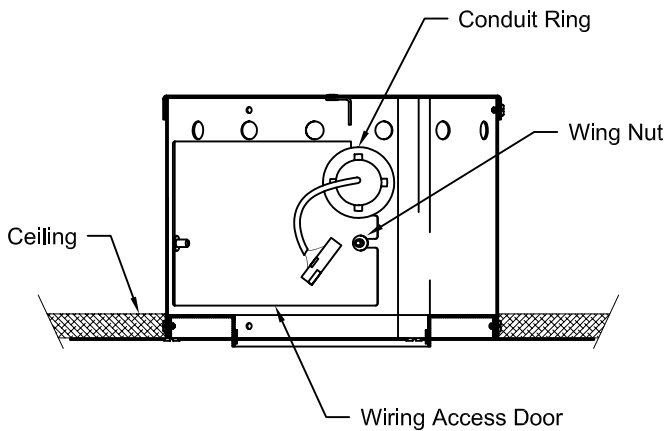


Figure 3
(Inside View of Fixture)

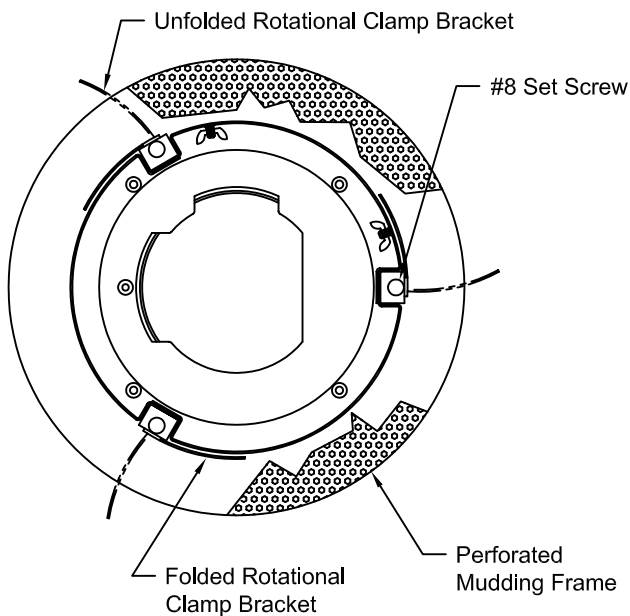


Figure 4

Installation Of Housing (Con't)

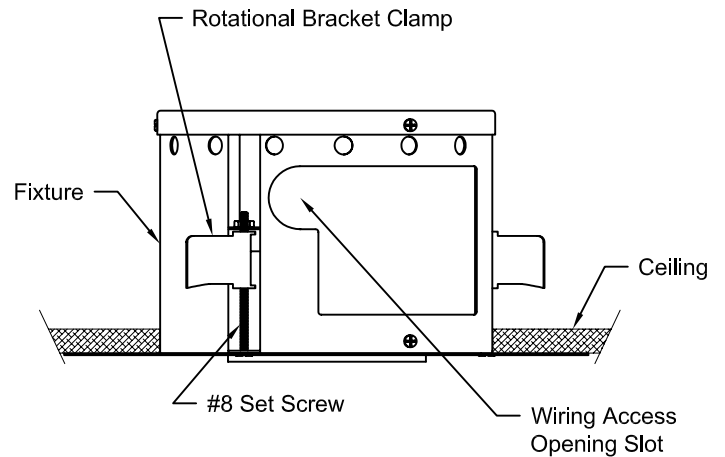


Figure 5
(Outside View of Fixture)

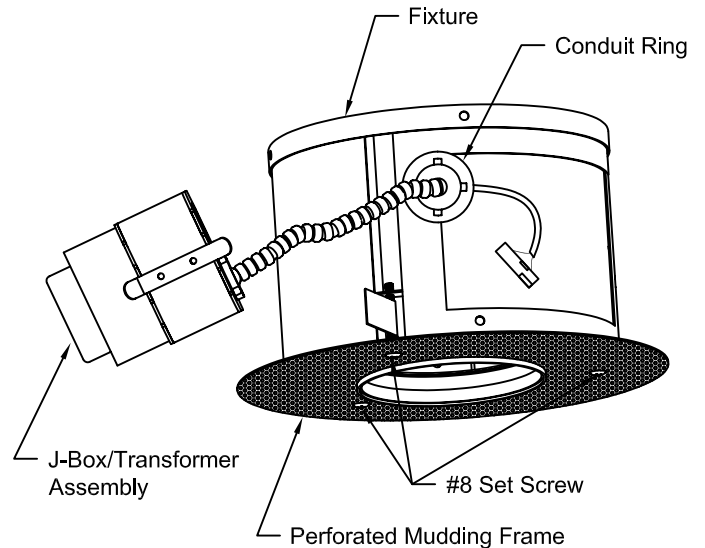


Figure 6