

DESCRIPTION

Remodel housing for Quiet Ceiling round trimless fixtures. Includes electronic metal halide ballast for use with 20W or 39W MR16 Metal Halide lamp.

For insulated ceiling applications. Insulation must be kept 3" from all sides and at least 1" above the housing.

Catalog #		Type
Project		
Comments		Date
Prepared by		

SPECIFICATION FEATURES

A...Housing

Housing and plaster frame: 18 gauge CRS with flat black powder coated internal finish. Adjustable trimless meshplate and swing-out retaining brackets can accommodate up to 1-3/8" ceiling thickness.

B...System Protection:

Thermal protection provided to guard against overheating and misuse of insulation over and asquare fixture. Vent holes in housing provide cooler operation.

C...Electrical

Integral j-box and electronic metal halide ballast. 120V/277V input. Junction box is U.L. listed for through branch wiring. Includes four 1/2 trade size knockouts. J-box and ballast enclosure are connected to the housing via flexible conduit.

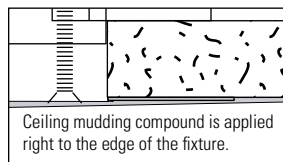
D...Lamp

MR16 metal halide lamp 20 or 39 watts. GX10 TAL lamp socket included. Provides 360° rotation of trim and secures original trim position after relamping.

E...Mounting

Housing is scored with three adjustable swing-out retaining brackets. Adjustment is made from countersunk screws on the face of the mesh plate. Perforated meshplate may be secured to drywall and/or joists (by others) for additional support.

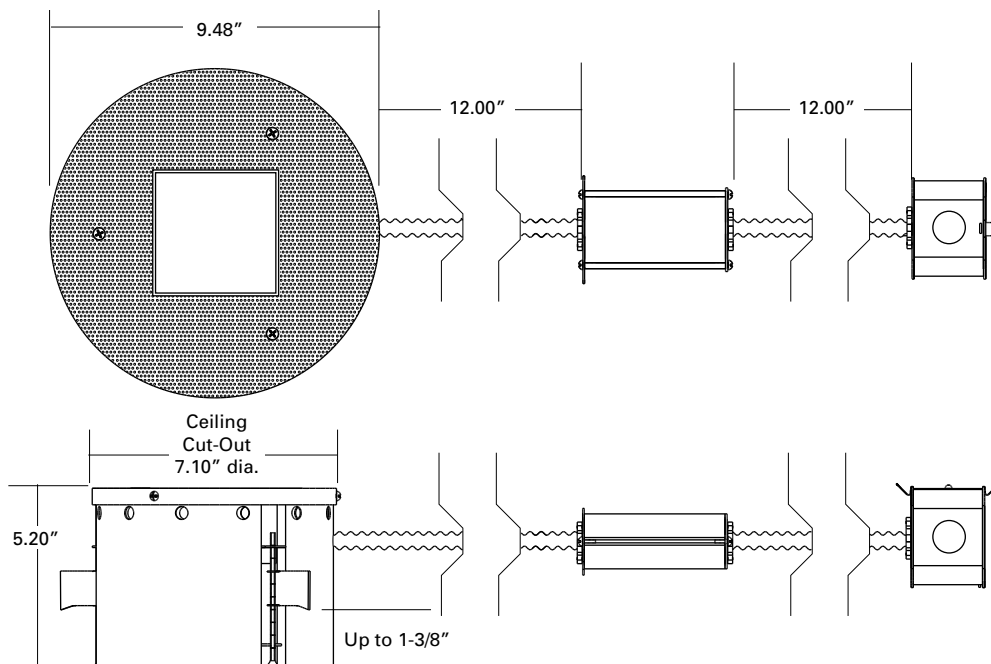
Ceiling Cut-Out: 7.10" dia.



QUIET CEILING TRIMLESS

QCT905RMMH Remodel Metal Halide Housing for Square Trim

FOR METAL HALIDE MR16
20W or 39W



ORDERING INFORMATION

QCT905RMMH		
Housing QCT905RMMH = Quiet Ceiling Remodel Housing for Square Trim w/Integral Metal Halide Ballast	Lamp Wattage 20 = 20 watts 39 = 39 watts	Voltage 120 = 120 volts primary 277 = 277 volts primary