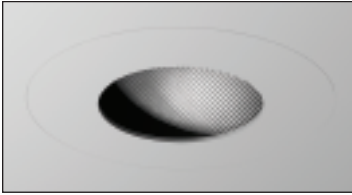


Type:

Project:



**4" Lensed Wallwasher Trimless Fixture
w/ Integral Linear Spread Lens
Insulated Ceiling Housing - 7.5" Height
12V Bi-Pin Base MR16 Lamp 50 Watts Max.**

- | | |
|-------------------------------------|-------------------------------------|
| <input type="checkbox"/> QCT-2175WH | <input type="checkbox"/> QCT-2175BK |
| <input type="checkbox"/> QCT-2175S | <input type="checkbox"/> QCT-2175SS |
| <input type="checkbox"/> QCT-2175PM | |
- w/ QCT-902-IC Housing**

DESCRIPTION:

Recessed trimless fixture for wallwash applications. Exclusive adjustable mud ring accommodates various ceiling thicknesses. Exclusive adjustable mud ring accommodates 1/2", 5/8", 3/4" & 1" ceilings.

ELECTRICAL:

120V input, 12V output. Junction box is U.L. listed for through branch wiring.

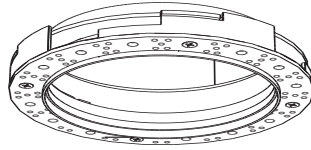
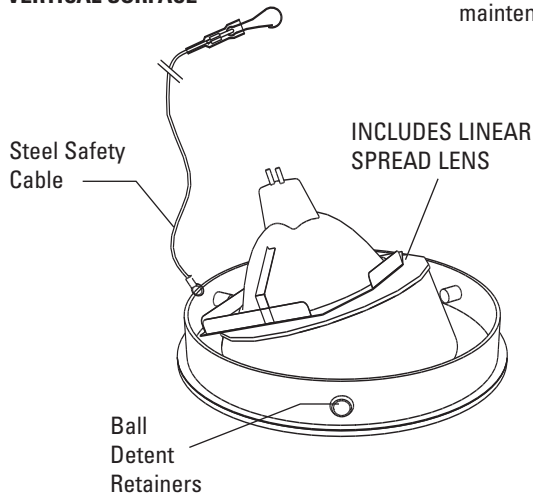
CONSTRUCTION:

Housing and plaster frame: 18 gauge CRS
Trim ring, j-box and hanger assemblies: 16 gauge CRS.

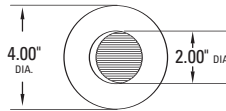
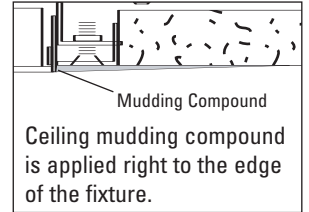
SYSTEM PROTECTION:

Thermal protection provided to guard against overheating and misuse of insulation over and around fixture.

- WASHES VERTICAL SURFACE WITH EVENLY DIFFUSED LIGHT
- DESIGNED TO BE INSTALLED WITHIN 18" - 24" OF VERTICAL SURFACE

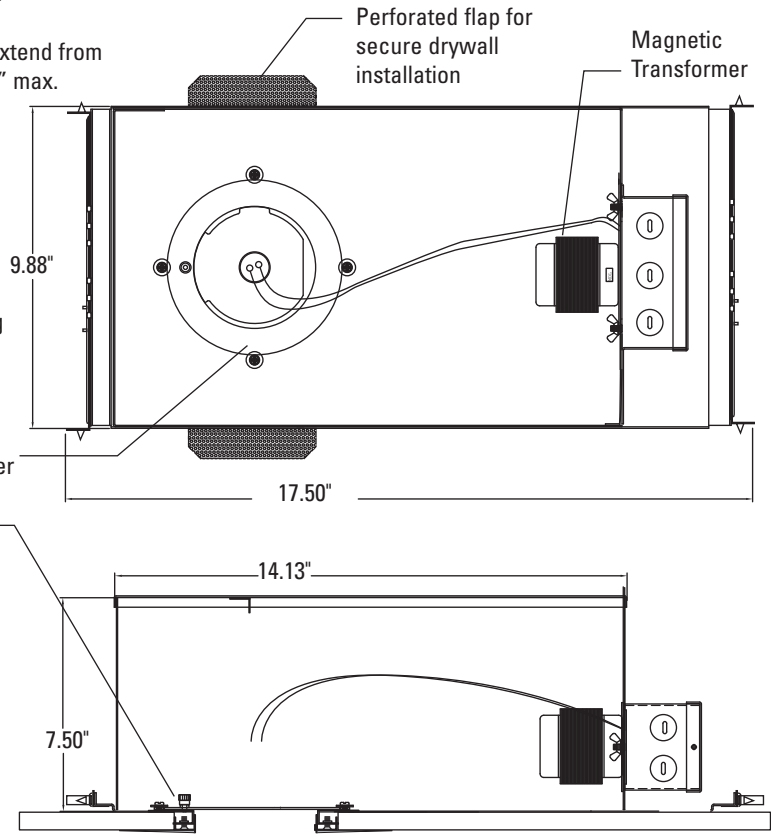


Mud Ring adjusts in plaster frame to accommodate 1/2", 5/8", 3/4" & 1" ceilings.



Hanger Bars extend from 14.00" to 25.25" max.

Internal rotation ring with locking adjustment. Provides 360° rotation and secures original trim position after relamping or maintenance.



Mudding Ring adjusts in plaster frame to accommodate 1/2", 5/8", 3/4" & 1" ceilings.

Item #	Description	Finish	Voltage / Wattage
QCT-2175WH / QCT-902-IC	Quiet Ceiling Series Lensed Wallwasher Trimless Fixture with Insulated Ceiling Housing w/ Magnetic Transformer	White	12V / 50W Max.
QCT-2175BK / QCT-902-IC		Black	
QCT-2175S / QCT-902-IC		Silver	
QCT-2175SS / QCT-902-IC		Stainless Steel	
QCT-2175PM / QCT-902-IC		Primer	



For 277 volt transformer add "277" to end of item #.
For Chicago Plenum add "CP" to end of item #.

STATE OF WASHINGTON AIRTIGHT APPROVED