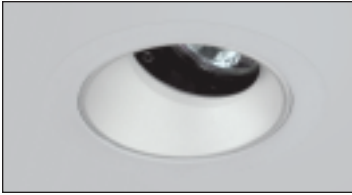


Type:

Project:

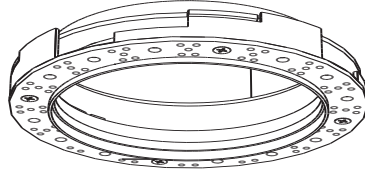


**4" Adjustable Truncated Cone Trimless Fixture
w/ Internal Non-Glare Reflector
New Construction Housing - 4.75" Height
12V Bi-Pin Base MR16 Lamp 75 Watts Max.**

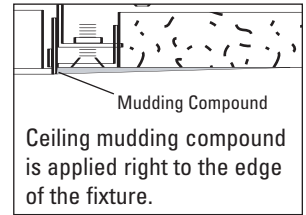
- QCT-2075WH
 - QCT-2075BK
 - QCT-2075S
 - QCT-2075SS
 - QCT-2075PM
- w/ QCT-900 Housing**

DESCRIPTION:

Recessed trim with internal 15° truncated cone reflector with non-glare finish. Trim has 360° rotational and 35° (0° vertical to 35° tilt) angle adjustability with angle locking mechanism in trim. Exclusive adjustable mud ring accommodates 1/2", 5/8", 3/4" & 1" ceilings.



Mud Ring adjusts in plaster frame to accommodate 1/2", 5/8", 3/4" & 1" ceilings.



ELECTRICAL:

120V input, 12V output. Junction box is U.L. listed for through branch wiring.

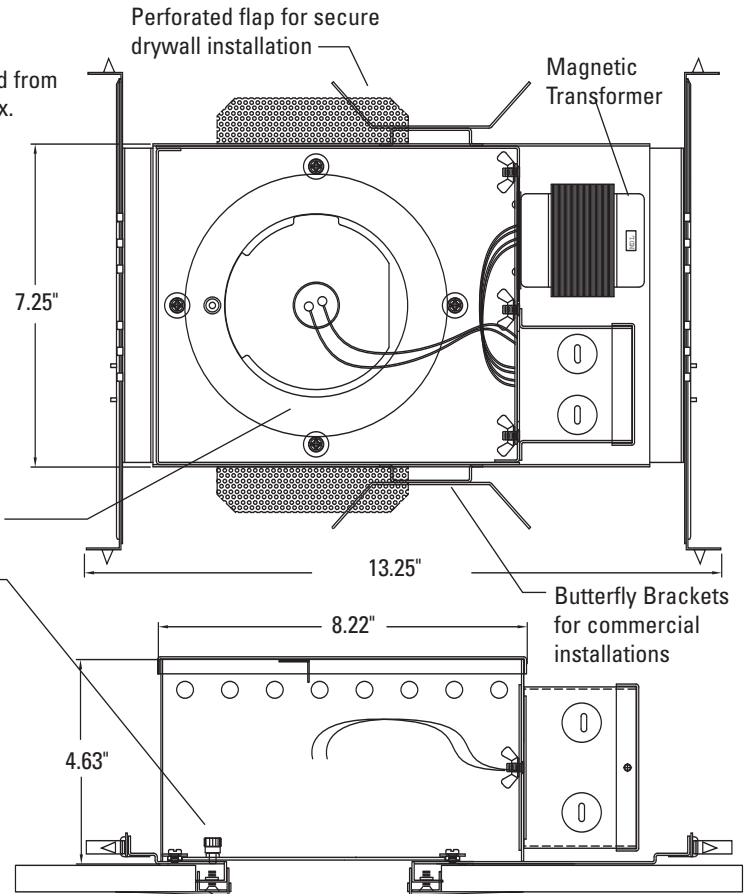
CONSTRUCTION:

Housing and plaster frame: 18 gauge CRS
Trim ring, j-box and hanger assemblies: 16 gauge CRS.

SYSTEM PROTECTION:

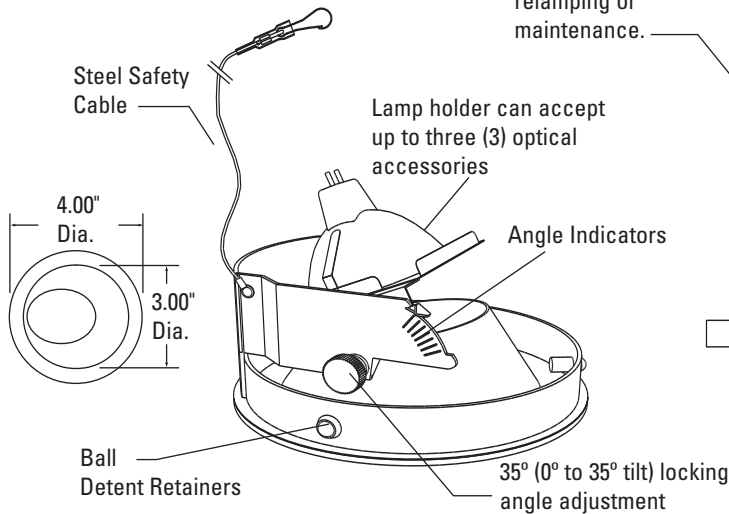
Thermal protection provided to guard against overheating and misuse of insulation over and around fixture. Vent holes in housing provide cooler operation.

Hanger Bars extend from 14.00" to 25.25" max.



Internal rotation ring with locking adjustment. Provides 360° rotation and secures original trim position after relamping or maintenance.

Housing adjusts in plaster frame to accommodate 1/2", 5/8", 3/4" & 1" ceilings.



Item #	Description	Finish	Voltage / Wattage
QCT-2075WH / QCT-900	Quiet Ceiling Series Adjustable Truncated Cone Trimless Fixture with New Construction Housing w/ Magnetic Transformer	White	12V / 75W Max.
QCT-2075BK / QCT-900		Black	
QCT-2075S / QCT-900		Silver	
QCT-2075SS / QCT-900		Stainless Steel	
QCT-2075PM / QCT-900		Primer	



For 277 volt transformer add "277" to end of item #.