



INSTALLATION INSTRUCTIONS

V90165

MINI QUIET CEILING SQUARE TRIM SERIES

Model: QCM510 with QCM5101-5103

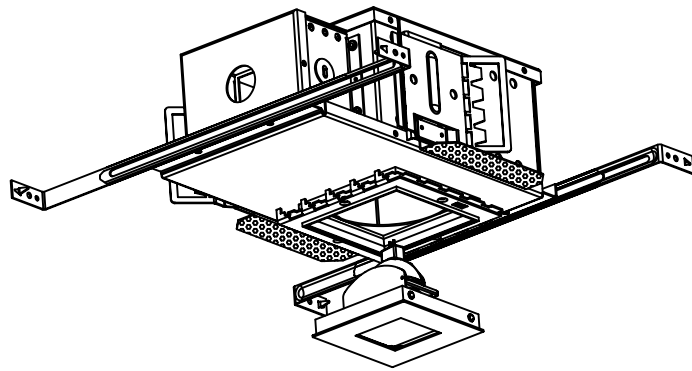


Avoid Fire or Electric Shock

- *Installation Instructions for qualified electricians only.
- *Install per National Electrical Code and local regulations.
- *Read Installation Instructions completely before installation.
- *Failure to follow Installation Instructions may void warranties.



THIS PRODUCT MUST BE INSTALLED IN ACCORDANCE WITH THE APPLICABLE INSTALLATION CODE BY A PERSON FAMILIAR WITH THE CONSTRUCTION AND OPERATION OF THE PRODUCT AND THE HAZARDS INVOLVED.



Fixture Mounting

BUTTERFLY MOUNTING:

1. Fixture comes equipped with Universal Butterfly Mounting Brackets and can take common 1 inch or 1-1/2 inch Black Iron or Galvanized Mounting Channels (Supplied By Others). See Fig. 1.
2. Position Fixture so the Mounting Channels lie on top of ceiling runners.
3. Fasten Mounting Channels securely to ceiling runners.
4. Secure Mounting Channels to Universal Butterfly Mounting Brackets with wire tie downs.

HANGER BAR MOUNTING:

1. Maximum Hanger Bar rafter span: 22-1/2 inches.
2. Spread Hanger Bars to fit span of rafters.
3. Hammer Flanges to seat Hanger Bar Tabs in rafters. See Fig. 1.
4. Secure Hanger Bars using one (1) nail in Mounting Hole in each Flange.
5. Mudding Frame is sent unmounted from factory. Adjust Mudding Frame to applicable Ceiling thickness (1/2", 5/8", 3/4", 1") by rotating in 90° increments until desired Ceiling Thickness Indicator Mark shows through Window in Mudding Frame. See Fig. 2.

Fixture Mounting (Con't)

6. Secure Mudding Frame using four (4) #8-32x1/2 inch Flathead Screws (for 1/2 inch, 5/8 inch and 3/4 inch Ceiling thickness) or four (4) #8-32x3/4 inch Flathead Screws (for 1 inch Ceiling thickness).
7. Adjust elevation of Fixture so Mudding Frame Edge will be flush with surface of finished Ceiling by loosening two (2) 1/4 inch Hex Screws on both Universal Mounting Brackets. See Fig. 1.
8. Tighten two (2) 1/4 inch Hex Screws on both Universal Butterfly Mounting Brackets to secure Fixture. See Fig. 1.
9. Install drywall up to Mudding Frame on Fixture so that the two (2) Mudding Frame Brackets on Fixture contact inside of Ceiling. See Fig. 3.
10. Retain Fixture to Ceiling with one (1) Flathead Screw through each of two (2) Mudding Frame Brackets. See Fig. 3.
11. Apply Drywall Tape and Mudding Compound to Mudding Frame overlapping Mudding Frame, Flathead Screws, Fixture Gap and surrounding area. Feather out Mudding Compound from Mudding Frame opening to surrounding ceiling area to produce a smooth, flat finish. See Fig. 3.

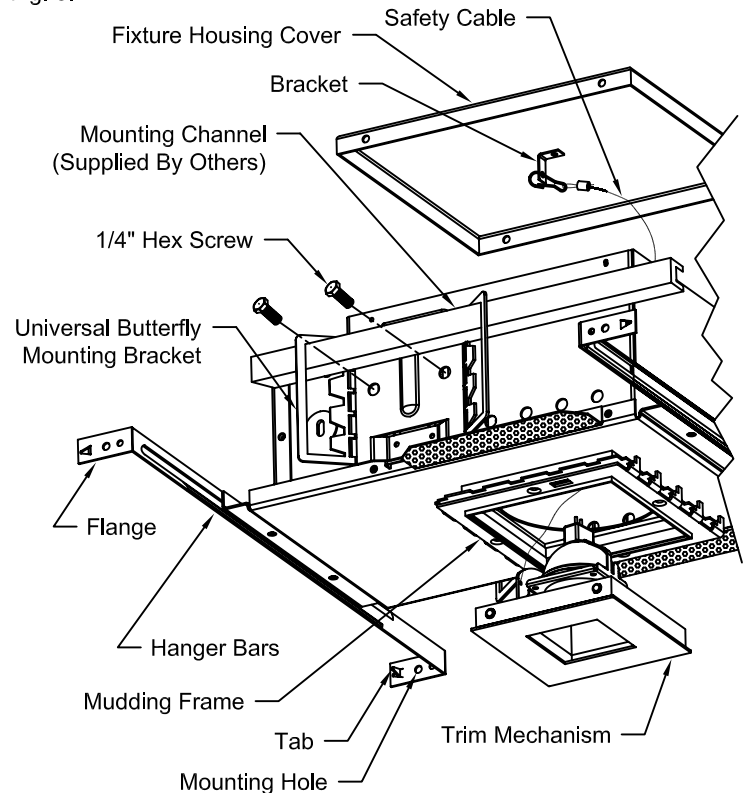


Figure 1



INSTALLATION INSTRUCTIONS (CON'T) V90165

MINI QUIET CEILING SQUARE TRIM SERIES

Model: QCM510 with QCM5101-5103

Fixture Mounting (Con't)

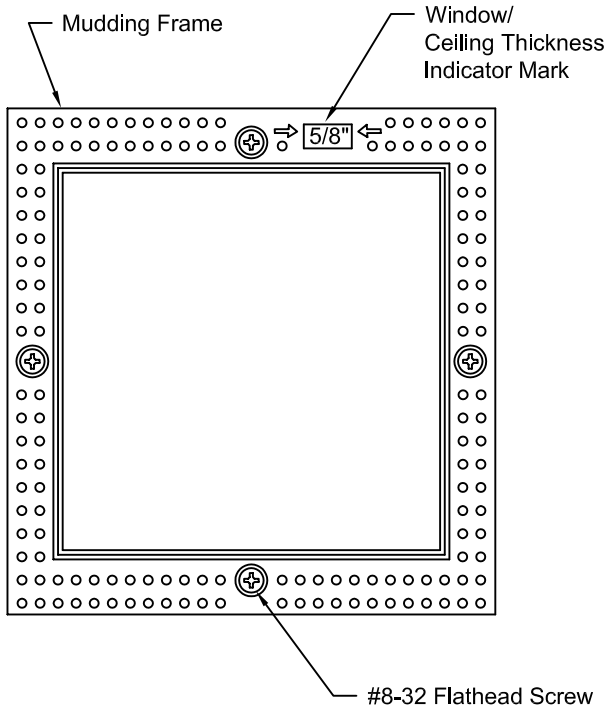


Figure 2

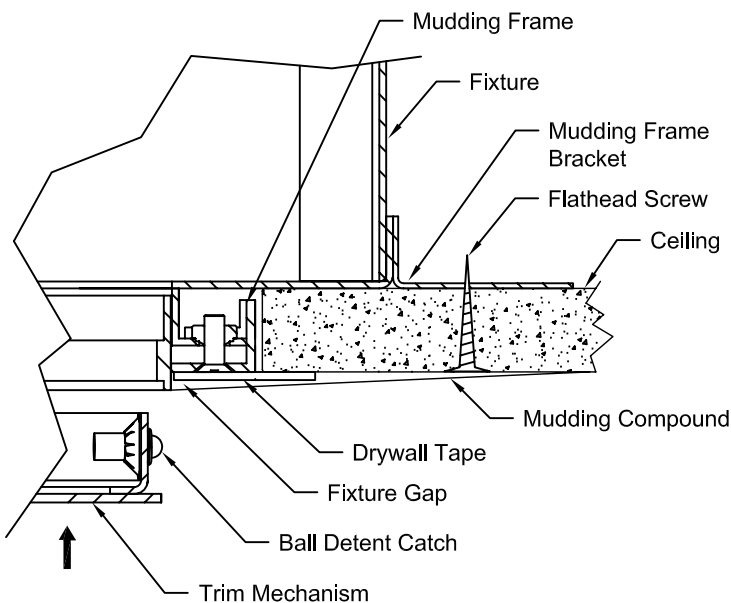


Figure 3

Trim Installation

1. Connect Safety Cable attached to Banana Bracket on Trim Mechanism (See Fig. 1) to Fixture by inserting Safety Cable through opening in Fixture and inserting Snap Hook on end of Safety Cable into hole in Bracket attached to inside of Fixture Housing Cover (See Fig. 1).
2. Install Trim Mechanism into Fixture by pressing firmly to seat Ball Detent Catches. See Fig. 3.

Lamp Installation

*Lamp Bracket accommodates up to two (2) accessories.

1. Remove Trim Mechanism from Ceiling.
2. Slide out Lamp and/or Accessories from under Lamp Clip to remove. See Fig. 4.
3. Replace Lamp and/or Accessories as necessary.

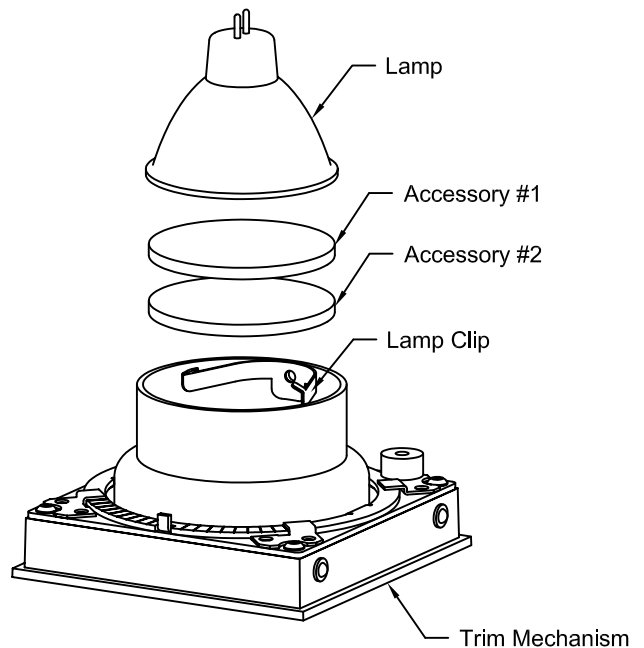


Figure 4



INSTALLATION INSTRUCTIONS (CON'T) V90165

MINI QUIET CEILING SQUARE TRIM SERIES

Model: QCM510 with QCM5101-5103

90° Rotational Lamp Adjustment

1. Remove Trim Mechanism from Fixture.
2. Loosen Lock Knob.
3. Rotate Rotational Adjustment Ring until Lamp is in desired position using Angle Indicators for reference.
4. Tighten Lock Knob.
5. Replace Trim Mechanism into Fixture.

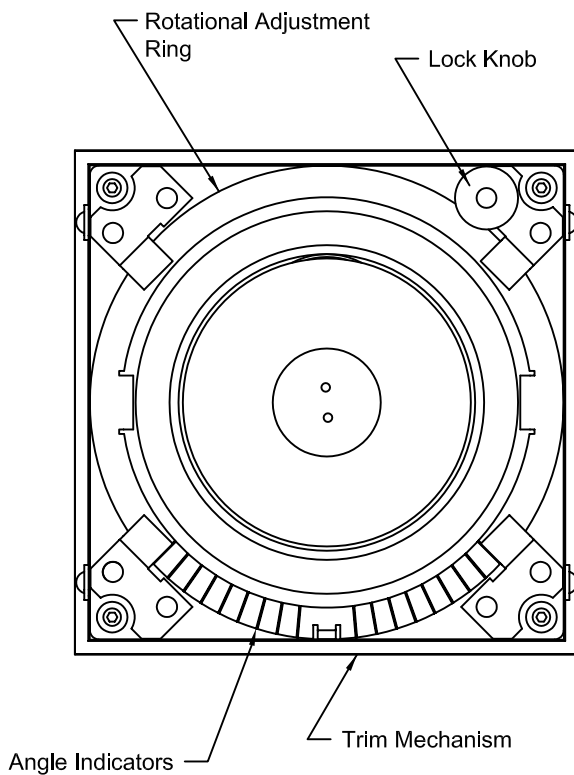


Figure 5