

DESCRIPTION

New construction special ceiling housing for Mini Quiet Ceiling small aperture round trimless fixtures. (QCM5001, QCM5002, QCM5003, QCM5004).

For new construction non-I.C applications in non-drywall ceilings constructed of special materials such as wood, marble, etc.... Insulation must be kept 3" from all sides and at least 1" above the housing.

Catalog #		Type
Project		
Comments		Date
Prepared by		

SPECIFICATION FEATURES

A...Housing

Housing and plaster frame: 18 gauge CRS with flat black powder coated internal finish. Plasterframe opening collar is built to accommodate a pre-specified ceiling thickness.

B...System Protection:

Thermal protection provided to guard against overheating and misuse of insulation over and around fixture. Vent holes in housing provide cooler operation.

C...Electrical

Integral j-box and low voltage (12V) transformer. 120V input, 12V output. Junction box is U.L. listed for through branch wiring. Includes five 1/2 trade size knockouts (six knockouts when magnetic xfmr. is specified)

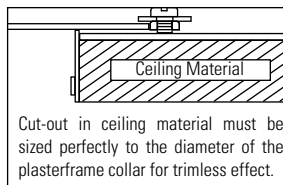
D...Lamp

12V MR16 50 watts max. (not included) Internal rotation ring with locking adjustment. Provides 360° rotation of trim and secures original trim position after relamping. **Not available for ceilings greater than 1" thick.** "POST-GRIP" bi-pin lamp socket for firm, mechanical lamp connection.

E...Mounting

Hanger Bars and Butterfly Brackets included for residential and commercial applications respectively.

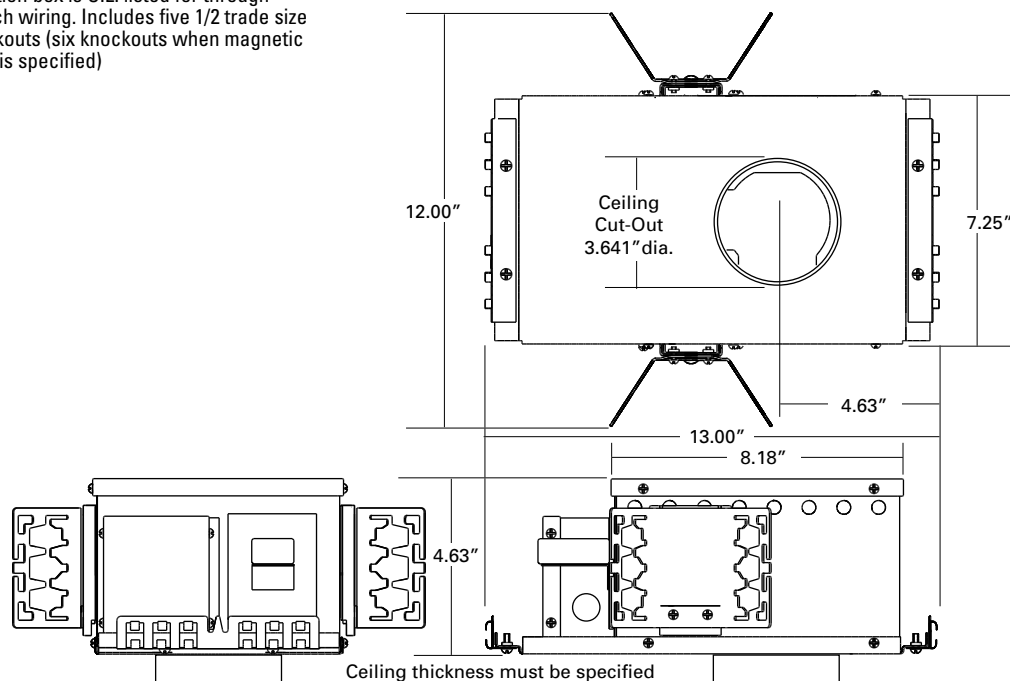
Ceiling Cut-Out: 3.641" dia.



MINI QUIET CEILING TRIMLESS

QCM506SP New Construction Housing for Round Trim

**Special Ceiling
Materials
(non-drywall ceilings)
FOR 12V MR16 50 watts max.**



ORDERING INFORMATION

QCM506SP			
Housing QCM506SP = Mini Quiet Ceiling New Construction Housing for non-drywall ceilings for Round Trim w/Integral Transformer	Transformer ELC = Electronic MAG = Magnetic	Voltage 120 = 120 volts primary 277 = 277 volts primary	Ceiling Thickness Specify exact thickness in inches. 1/8" Increments. Examples: 0.500", 0.625", 0.750", 0.875"