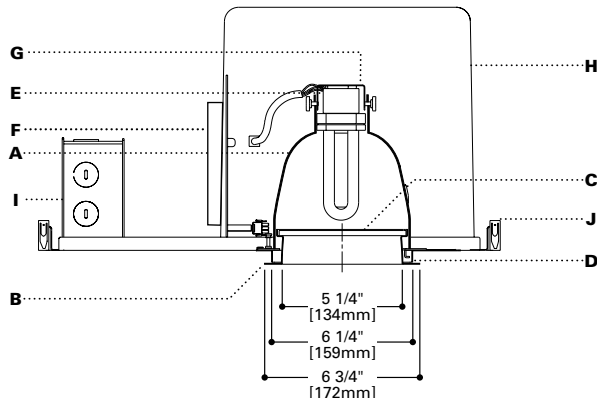


## DESCRIPTION

Specification grade wet listed 32 or 26 Watt triple tube compact fluorescent fixture rated for use in wet locations. Regressed frosted lens provides a low brightness aperture and a smooth illumination pattern. Triple tube lamps provide excellent color

and long life. Dimming and emergency ballast options are available. **Lamp module and optical element can be changed after installation to provide a variety of lamp sources and distributions. e.g. into a PAR36 Adjustable**



## SPECIFICATION FEATURES

### A...Reflector

.040 thick aluminum specular clear upper and spun parabolic lower reflector in Clear, Gold, Haze, Warm Haze, Black Alzak® finish, painted gloss white or matte white. Special cone colors listed below.

### B...Flange

Self flange reflector or die cast flange with either matte white or clear coat finish. Die cast flanges are easily removed for field painting. Elements are keyed for proper insertion. Gasket is a closed cell foam.

### C...Lens

.125 thick frosted lens obscures lamp and is retained during relamping.

### D...Attachment

Positive torsion springs pull flange tight to ceiling. Mechanical light trap eliminates spill light at edge of flange or reflector.

### E...Socket

4 pin G24q3 base for 32 or 26W PLT, TBX and TTT lamps. Fatigue free stainless steel spring ensures positive lamp retention. Fixed socket height ensures consistent lamp position.

### F...Electronic Ballast

Thermally protected, current controlled electronic ballast produces full light output and rated lamp life. Meets stringent FCC part 18 Class B requirements.

### G...Electrical

Keyed quick connect provides easy lamp module installation.

### H...Frame/Housing

Hot dipped galvanized 20 gauge steel frame with built in 1/2 inch plaster lip Aluminum .032 thick housing allows for heat dissipation and reduces weight.

### I...Junction Box

18 cubic inches, listed for 4#12 AWG or 6#14 AWG 90° C additional feed through conductors, has five 1/2 inch pryouts.

### J...Bar Hangers

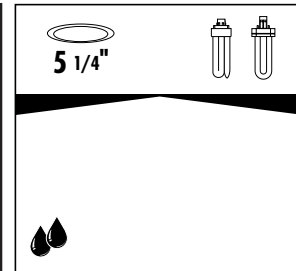
No Flex® bar hangers with positive locking, for use with joists spaced up to 24" O.C. ship with platform. For use in T-bar ceilings order accessory MBCLP. Nailless barb and locator lip provide consistent installation height.

### K...Codes

Thermally protected, IP labeled. Unit is airtight and exchanges less than 2.0 CFM with the plenum at a pressure of 75 pascals. Insulation must be kept three inches away from fixture sides and none on top as to entrap heat.

### L...Labels

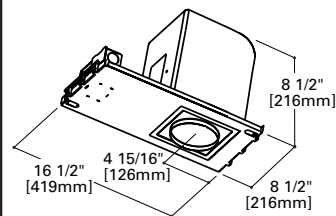
UL and cUL listed, standard wet label, IBEW union made.



**PN5  
M32T  
E5SR**

**32W TRIPLE  
Compact Fluorescent**

**5" REGRESSED LENS  
SHOWERLIGHT**



Ceiling Cutout  
6 1/4" [159mm]

## ENERGY DATA

### 5" AirTight

Input Power:  
120V = 36W  
Input Current (Max.):  
120V = .306  
Power Factor:  
120V = .98  
T.H.D.:  
120V = <10%

### M32T LUTRON

Input Power:  
120V = 36W  
Input Current (Max.):  
120V = .33A  
Power Factor:  
120V = >.95  
T.H.D.:  
120V = <20%

## ORDERING INFORMATION

Complete unit consists of a platform, module and element

Platform	Lamp Module	Optical Element	Finish		Flange	Accessories
<b>PN5</b>						
PN5 = 5" Airtight Non-IC Rated Housing	M32T= 32/26W Compact Fluorescent Ballast M32T Lutron = 32W only Tu Wire Dimming Ballast	E5SR = 5" Regressed Lens Showerlight	<b>Standard</b> C = Clear H = Haze G = Gold WMH = Warm Haze W = Gloss White MW= Matte White B= Black <b>Custom</b> K = Cognac KH = Cognac Haze	<b>Custom</b> CC = Chocolate CCH = Chocolate Haze BU = Blush BUH = Blush Haze GP = Graphite GPH = Graphite Haze PN = Pine PNH = Pine Haze SK = Sky SKH = Sky Haze	Blank= Matte White die-cast SF= Self Flange RAW= Natural Die-cast SFWF= Self Flange Painted White	MBCLP = 40 Push On T Bar Clips (for 10 Units) PLE5 = Plaster Lip Extension for Max 2" Thick Ceiling

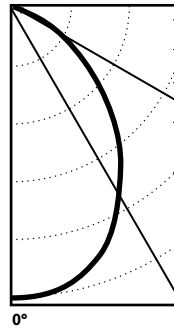
PHOTOMETRICS

**P5-M32T-E5SRC**

Test No. H36117  
 Lamp: 26W PLT  
 Lumens: 1800  
 Cutoff: 75°  
 Spacing: 1.1  
 Efficiency: 32.4%  
 Unit LPW: 22.43

Candelas	
Vertical Angle	CD
90	0
85	0
75	5
65	37
55	82
45	142
35	202
25	256
15	294
5	309
0	311

**Distribution**



Luminance	
Degree	cd/m <sup>2</sup>
85°	0
75°	1410
65°	6266
55°	10183
45°	14384

**Cone of Light**

Distance to Illuminated Plane	Initial Nadir Footcandles	Beam Diameter
4'6"	15	5'0"
5'6"	10	6'6"
6'6"	7	7'6"
8'0"	5	9'6"
10'0"	3	11'6"
12'0"	2	14'0"

**Zonal Lumen Summary**

Zone	Lumens	%Lamp	%Luminaire
0-30	230	12.8	39.5
0-40	356	19.8	61.1
0-60	539	30.0	92.6
0-90	582	32.4	100.0
90-180	0	0.0	0.0
0-180	582	32.4	100.0

**Coefficient of Utilization**

Ceiling Reflectance	80%				70%		50%		30%		0%
	70	50	30	10	50	10	50	10	50	10	0
Room Cavity Ratio											
0	38	38	38	38	38	38	36	36	34	34	32
1	36	35	34	33	34	33	33	32	32	31	29
2	34	32	31	29	32	29	30	28	29	28	26
3	32	29	27	26	32	29	30	28	29	28	26
4	30	27	25	23	26	23	26	22	25	22	21
5	28	24	22	20	24	20	23	20	23	20	19
6	26	22	20	18	22	18	21	18	21	18	17
7	24	20	18	16	20	16	19	16	19	16	15
8	22	18	16	14	18	14	18	14	17	14	14
9	21	17	15	13	17	13	16	13	16	13	12
10	19	16	13	12	15	12	15	12	15	12	11

**Notes and Formulas:**

**Luminance:** To convert cd/m<sup>2</sup> to footlamberts, multiply by 0.2919

**Cone of Light:**

- Footcandle and CU multiplier: clear x 1.0, Haze x .95, Gold x .90, Black x .65, Warm Haze x .90
- Beam diameter is to 50% of maximum footcandles, rounded to the nearest half-foot.
- Footcandle values are initial. Apply appropriate light loss factors where necessary.

**CU Notes/Formulas:**

- maintained illuminance =  $\frac{\text{lamp lumens} \times \text{CU} \times \text{light loss factors}}{\text{room area}}$
- total number of luminaires =  $\frac{\text{total room area} \times \text{maintained illuminance}}{\text{lamp lumens} \times \text{CU} \times \text{light loss factors}}$
- CU data based on 20% effective floor cavity reflectance.

Note: Specifications and Dimensions subject to change without notice.

Visit our web site at [www.cooperlighting.com](http://www.cooperlighting.com)

