

## AR111 12V Open Back Machined Fixture PM614ob

Catalog # \_\_\_\_\_

Type \_\_\_\_\_

Project \_\_\_\_\_

A machined aluminum track fixture for low voltage AR111 lamps from 35 to 100 watts. For use with RSA Profile Series 60 Amp Busway.

Front loading lamp with bayonet action lens / accessory bezel. Optical accessories are captured in the bezel with a threaded retainer ring preventing accessory spill-out during relamping. Can accommodate up to three optical accessories.

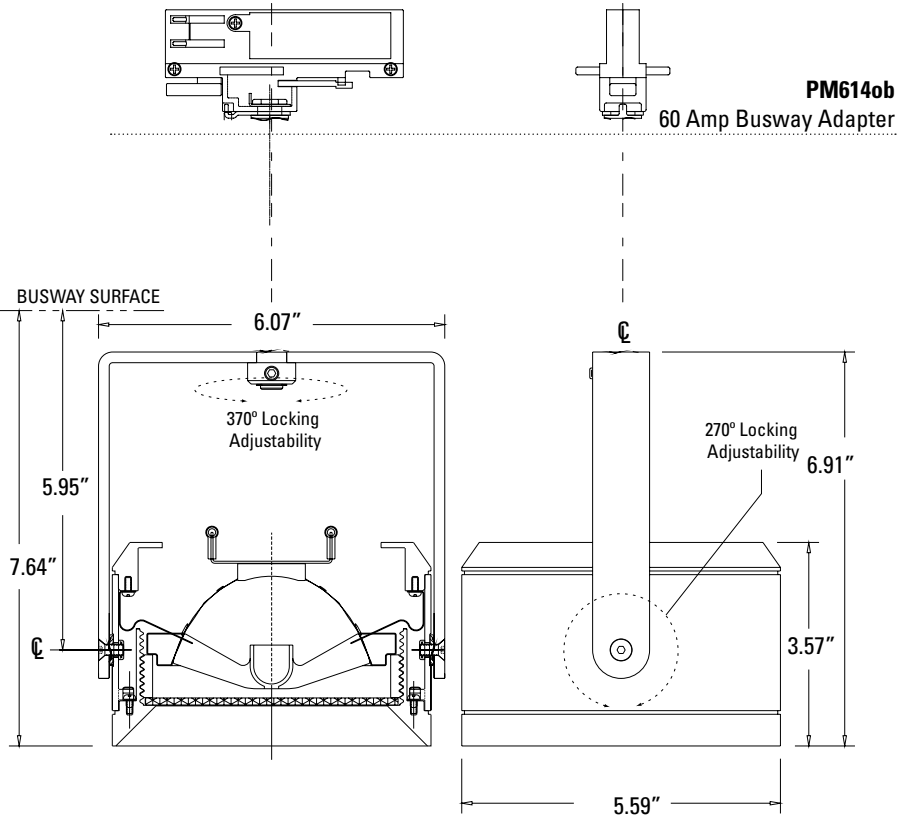
Auto extending / retracting lamp holder. Lamps extend for easy access and automatically retract to optimum position. This is extremely helpful when dealing with varying accessory combinations or differing manufacturer lamp dimensions.

Optical accessories include color filters, UV filters, screens, spread lenses, louvers, hex louvers, snoots. Consult RSA for details.

Locking on both the horizontal and vertical planes. 370° vertical rotation possible due to over-center locking mechanism (60 amp busway only). 270° horizontal locking adjustment.

UL and CUL listed

Available in White, Black, Natural Aluminum or custom finishes.



### Open Back Machined Fixture

**PM614ob** - AR111 for 60 Amp Busway

### Lamp Wattage

- 35** 35 Watt 12V AR111
- 50** 50 Watt 12V AR111
- 75** 75 Watt 12V AR111
- 100** 100 Watt 12V AR111

### Finish

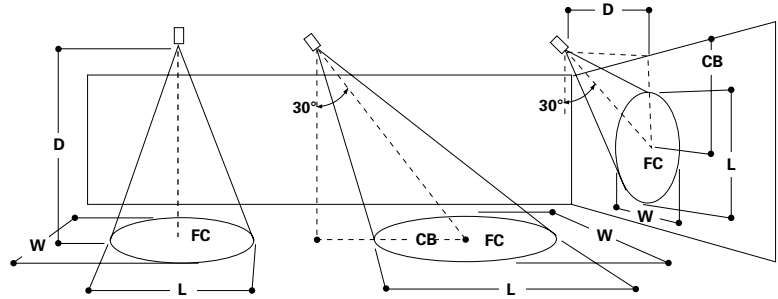
- WH** White
- BK** Black
- AL** Natural Aluminum
- PT** Custom Finish

Ordering Example: **PM614ob-50-AL**



### Lamp Performance Data

D = Distance to the horizontal or vertical surface.  
 FC = Initial footcandles at the center of the beam.  
 L = Length of the beam where candlepower is reduced to 50% of center beam candlepower.  
 W = Width of the beam where candlepower is reduced to 50% of center beam candlepower.  
 CB = Distance to the center of the beam.



Lamp data given is typical and is based on bare lamp performance. Contact lamp manufacturers for availability and specific performance. Distance, length and width given in decimal feet.

		0° Aiming Angle Horizontal Footcandles				30° Aiming Angle Horizontal Footcandles					30° Aiming Angle Vertical Footcandles					45° Aiming Angle Vertical Footcandles				
		D	FC	L	W	D	FC	L	W	CB	D	FC	L	W	CB	D	FC	L	W	CB
<b>AR111 12V Halogen G53</b>																				
35 AR111 /SSP4 Beam Spread = 4° x 4° CBCP = 45,000 Rated Life = 3,000 Hrs.	OSI	13	266	1.3	1.3	12	234	1.5	1.3	6.9	6	313	2.0	1.2	10.4	9	278	1.6	1.3	9.0
		18	139	1.6	1.6	16	132	1.9	1.7	9.2	9	139	2.9	1.6	15.6	13	133	2.2	1.6	13.0
		23	85	2.0	2.0	20	84	2.2	2.0	11.5	12	78	3.7	2.0	20.8	17	78	2.7	2.0	17.0
		28	57	2.3	2.3	24	59	2.6	2.3	13.9	15	50	4.6	2.5	26.0	21	51	3.3	2.4	21.0
35 AR111 /SP8 Beam Spread = 8° x 8° CBCP = 14,000 Rated Life = 3,000 Hrs.	OSI	7	286	1.3	1.3	6	292	1.5	1.3	3.5	4	219	2.6	1.5	6.9	5	280	1.8	1.4	5.0
		10	140	1.8	1.8	8	164	1.9	1.7	4.6	5	140	3.2	1.8	8.7	7	143	2.3	1.7	7.0
		13	83	2.2	2.2	10	105	2.2	2.0	5.8	6	97	3.8	2.0	10.4	9	86	2.9	2.1	9.0
		16	55	2.6	2.6	12	73	2.6	2.3	6.9	7	71	4.3	2.3	12.1	11	58	3.5	2.5	11.0
35 AR111 /FL25 Beam Spread = 25° x 25° CBCP = 2,500 Rated Life = 3,000 Hrs.	OSI	3	278	1.7	1.7	3	208	2.2	1.9	1.7	2	156	4.5	2.1	3.5	3	139	3.2	2.2	3.0
		4	156	2.1	2.1	4	117	2.8	2.4	2.3	3	69	6.6	3.0	5.2	4	78	4.1	2.9	4.0
		5	100	2.6	2.6	5	75	3.4	2.9	2.9	4	39	8.7	3.9	6.9	5	50	5.0	3.5	5.0
		6	69	3.0	3.0	6	52	4.0	3.4	3.5	5	25	10.8	4.8	8.7	6	35	6.0	4.1	6.0
50 AR111 /SSP4 Beam Spread = 4° x 4° CBCP = 50,000 Rated Life = 3,000 Hrs.	OSI	12	347	1.4	1.4	12	260	1.6	1.5	6.9	7	255	2.5	1.5	12.1	8	391	1.6	1.3	8.0
		18	154	1.8	1.8	16	146	2.0	1.8	9.2	9	154	3.0	1.8	15.6	12	174	2.2	1.7	12.0
		24	87	2.2	2.2	20	94	2.4	2.1	11.5	11	103	3.6	2.1	19.1	16	98	2.8	2.1	16.0
		30	56	2.6	2.6	26	55	2.9	2.6	15.0	13	74	4.2	2.3	22.5	20	63	3.3	2.5	20.0
50 AR111 /SP8 Beam Spread = 8° x 8° CBCP = 20,000 Rated Life = 3,000 Hrs.	OSI	10	200	1.8	1.8	8	234	1.9	1.7	4.6	5	200	3.2	1.8	8.7	7	204	2.3	1.7	7.0
		15	89	2.5	2.5	12	104	2.6	2.3	6.9	7	102	4.3	2.3	12.1	10	100	3.2	2.3	10.0
		20	50	3.2	3.2	14	77	3.0	2.6	8.1	9	62	5.5	2.9	15.6	13	59	4.0	2.9	13.0
		25	32	3.9	3.9	16	59	3.4	2.9	9.2	11	41	6.6	3.4	19.1	16	39	4.9	3.5	16.0
50 AR111 /FL25 Beam Spread = 25° x 25° CBCP = 3,500 Rated Life = 3,000 Hrs.	OSI	4	219	2.1	2.1	3	292	2.2	1.9	1.7	2	219	4.5	2.1	3.5	3	194	3.2	2.2	3.0
		5	140	2.6	2.6	4	164	2.8	2.4	2.3	3	97	6.6	3.0	5.2	4	109	4.1	2.9	4.0
		6	97	3.0	3.0	5	105	3.4	2.9	2.9	4	55	8.7	3.9	6.9	5	70	5.0	3.5	5.0
		7	71	3.5	3.5	6	73	4.0	3.4	3.5	5	35	10.8	4.8	8.7	6	49	6.0	4.1	6.0
75 AR111 /SP8 Beam Spread = 8° x 8° CBCP = 30,000 Rated Life = 3,000 Hrs.	OSI	10	300	1.8	1.8	9	278	2.0	1.8	5.2	5	300	3.2	1.8	8.7	8	234	2.6	1.9	8.0
		14	153	2.3	2.3	12	156	2.6	2.3	6.9	7	153	4.3	2.3	12.1	11	124	3.5	2.5	11.0
		18	93	2.9	2.9	15	100	3.2	2.8	8.7	9	93	5.5	2.9	15.6	14	77	4.3	3.1	14.0
		22	62	3.4	3.4	18	69	3.7	3.3	10.4	11	62	6.6	3.4	19.1	17	52	5.1	3.7	17.0
75 AR111 /FL25 Beam Spread = 25° x 25° CBCP = 5,300 Rated Life = 3,000 Hrs.	OSI	5	212	2.6	2.6	4	248	2.8	2.4	2.3	3	147	6.6	3.0	5.2	3	294	3.2	2.2	3.0
		6	147	3.0	3.0	5	159	3.4	2.9	2.9	4	83	8.7	3.9	6.9	4	166	4.1	2.9	4.0
		7	108	3.5	3.5	6	110	4.0	3.4	3.5	5	53	10.8	4.8	8.7	5	106	5.0	3.5	5.0
		8	83	3.9	3.9	7	81	4.6	3.9	4.0	6	37	12.8	5.7	10.4	6	74	6.0	4.1	6.0
75 AR111 /WFL45 Beam Spread = 45° x 45° CBCP = 1,700 Rated Life = 3,000 Hrs.	OSI	3	189	2.8	2.8	3	142	3.9	3.2	1.7	2	106	14.0	3.7	3.5	2	213	4.4	2.7	2.0
		4	106	3.7	3.7	4	80	5.1	4.2	2.3	3	47	20.8	5.3	5.2	3	94	6.4	3.9	3.0
		5	68	4.5	4.5	5	51	6.2	5.1	2.9	4	27	27.7	7.0	6.9	4	53	8.4	5.1	4.0
		6	47	5.3	5.3	6	35	7.4	6.1	3.5	5	17	34.5	8.6	8.7	5	34	10.4	6.2	5.0

Optivex UV Filter	Red Color Filter	Blue Color Filter	Amber Color Filter	Cosmetic Peach 2800K Filter	Milk White Lens	Diffusion Spread Lens	Linear Spread Lens
LN85	LN86	LN87	LN89	CP111	LN84	LN81	LN83
Prismatic Spread Lens	20% Reduction Screen	30% Reduction Screen	40% Reduction Screen	Hex Cell Louver	Cross Baffle	Snoot	
LN82	RS2036	RS3036	RS4036	LN80	CB111	SN36	