



AR70 12V

Open Back Machined Fixture PM613ob

Catalog # _____

Type _____

Project _____

A machined aluminum track fixture for low voltage AR70 lamps for 20 or 50 watts. For use with RSA Profile Series 60 Amp Busway.

Front loading lamp with bayonet action lens / accessory bezel. Optical accessories are captured in the bezel with a threaded retainer ring preventing accessory spill-out during relamping. Can accommodate up to three optical accessories.

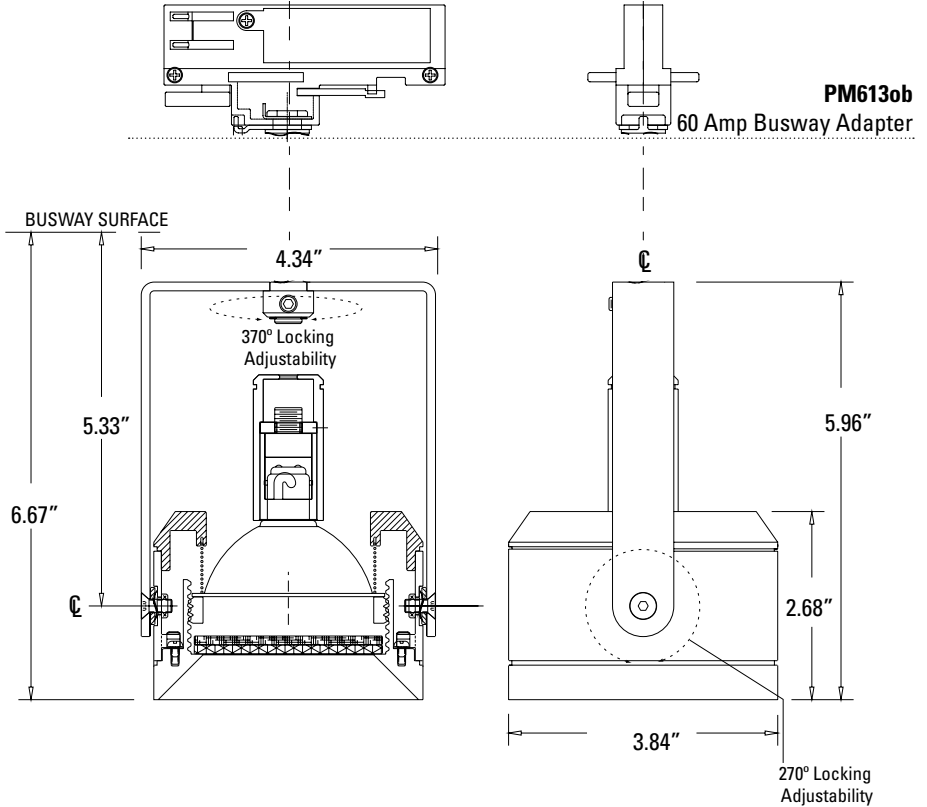
Auto extending / retracting lamp holder. Lamps extend for easy access and automatically retract to optimum position. This is extremely helpful when dealing with varying accessory combinations or differing manufacturer lamp dimensions.

Optical accessories include color filters, UV filters, screens, spread lenses, louvers, hex louvers, snoots. Consult RSA for details.

Locking on both the horizontal and vertical planes. 370° vertical rotation possible due to over-center locking mechanism (60 amp busway only). 270° horizontal locking adjustment.

UL and CUL listed

Available in White, Black, Natural Aluminum or custom finishes.



Open Back Machined Fixture	Lamp Wattage	Finish
<input type="checkbox"/> PM613ob - AR70 for 60 Amp Busway	<input type="checkbox"/> 20 20 Watt 12V AR70	<input type="checkbox"/> WH White
	<input type="checkbox"/> 50 50 Watt 12V AR70	<input type="checkbox"/> BK Black
		<input type="checkbox"/> AL Natural Aluminum
		<input type="checkbox"/> PT Custom Finish

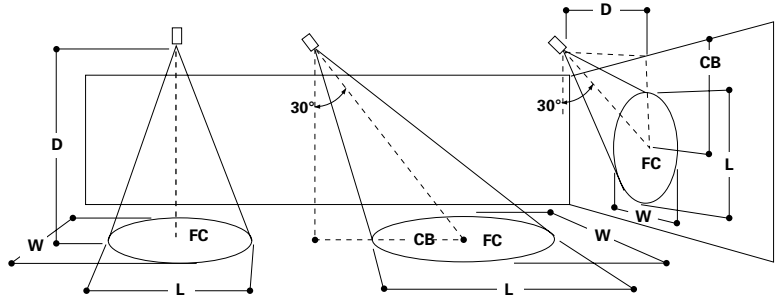
Ordering Example: **PM613ob-50-AL**



Lamp Performance Data

D = Distance to the horizontal or vertical surface.
 FC = Initial footcandles at the center of the beam.
 L = Length of the beam where candlepower is reduced to 50% of center beam candlepower.
 W = Width of the beam where candlepower is reduced to 50% of center beam candlepower.
 CB = Distance to the center of the beam.

Lamp data given is typical and is based on bare lamp performance.
 Contact lamp manufacturers for availability and specific performance.
 Distance, length and width given in decimal feet.



		0° Aiming Angle Horizontal Footcandles				30° Aiming Angle Horizontal Footcandles				30° Aiming Angle Vertical Footcandles					45° Aiming Angle Vertical Footcandles					
		D	FC	L	W	D	FC	L	W	CB	D	FC	L	W	CB	D	FC	L	W	CB
AR70 12V Halogen DC Bayonet																				
20 AR70 /SP8 Beam Spread = 8° x 8° CBCP = 7,700 Rated Life = 3,000 Hrs.	OSI	6	214	1.1	1.1	5	231	1.0	1.0	2.9	3	214	2	1.1	5.2	4	241	1.0	1.0	4.0
		8	120	1.4	1.4	7	118	1.5	1.4	4.0	4	120	2.5	1.4	6.9	5	154	1.6	1.2	5.0
		10	77	1.6	1.6	9	71	1.9	1.7	5.2	5	77	3.1	1.6	8.7	6	107	1.9	1.4	6.0
		12	53	1.9	1.9	11	48	2.3	2.0	6.4	6	53	3.6	1.9	10.4	7	79	2.2	1.6	7.0
20 AR70 /FL25 Beam Spread = 25° x 25° CBCP = 900 Rated Life = 3,000 Hrs.	OSI	2	225	1.1	1.1	2	169	1.4	1.3	1.2	1	225	2.0	1.1	1.7	2	113	2.1	1.5	2.0
		3	100	1.6	1.6	3	75	2.0	1.8	1.7	2	56	4.4	2.0	3.5	3	50	3.0	2.1	3.0
		4	56	2.0	2.0	4	42	2.6	2.3	2.3	3	25	6.5	2.9	5.2	4	28	4.0	2.7	4.0
		5	36	2.5	2.5	5	27	3.2	2.8	2.9	4	14	8.6	3.8	6.9	5	18	4.9	3.4	5.0
50 AR70 /SP8 Beam Spread = 8° x 8° CBCP = 12,500 Rated Life = 3,000 Hrs.	OSI	7	255	1.2	1.2	6	260	1.4	1.2	3.5	4	195	2.5	1.4	6.9	5	250	1.6	1.2	5.0
		9	154	1.5	1.5	8	146	1.7	1.5	4.6	5	125	3.1	1.6	8.7	7	128	2.2	1.6	7.0
		11	103	1.8	1.8	10	94	2.1	1.9	5.8	6	87	3.6	1.9	10.4	9	77	2.8	2.0	9.0
		13	74	2.1	2.1	12	65	2.5	2.2	6.9	7	64	4.2	2.2	12.1	11	52	3.3	2.4	11.0
50 AR70 /FL25 Beam Spread = 25° x 25°4 CBCP = 2,600 Rated Life = 3,000 Hrs.	OSI	3	289	1.6	1.6	3	217	2.0	1.8	1.7	2	163	4.4	2.0	3.5	3	144	3.0	2.1	3.0
		1	63	2.0	2.0	4	122	2.6	2.3	2.3	3	72	6.5	2.9	5.2	4	81	4.0	2.7	4.0
		5	104	2.5	2.5	5	78	3.2	2.8	2.9	4	41	8.6	3.8	6.9	5	52	4.9	3.4	5.0
		6	72	2.9	2.9	6	54	3.8	3.3	3.5	5	26	10.6	4.7	8.7	6	36	5.8	4.0	6.0

Optivex UV Filter	Red Color Filter	Blue Color Filter	Amber Color Filter	Cosmetic Peach 2800K Filter	Milk White Lens	Diffusion Spread Lens	Linear Spread Lens
LN45	LN46	LN47	LN49	CP20	LN44	LN41	LN43
Prismatic Spread Lens	20% Reduction Screen	30% Reduction Screen	40% Reduction Screen	Hex Cell Louver	Cross Baffle	Snoot	
LN42	RS2020	RS3020	RS4020	LN40	CB20	SN20	