



## AR70 12V

### Closed Back Machined Fixture w/ Integral Transformer PM613cbi | PM413cbi | PM213cbi | PM113cbi

Catalog # \_\_\_\_\_

Type \_\_\_\_\_

Project \_\_\_\_\_

A machined aluminum track fixture for low voltage AR70 lamps for 20 or 50 watts. For use with RSA Profile Series 60 Amp Busway, 20 Amp 1 or 2 Circuit Track or 20 Amp 2 Circuit / 2 Neutral Track.

Integral low voltage electronic transformer in aluminum housing.

Front loading lamp with bayonet action lens / accessory bezel. Optical accessories are captured in the bezel with a threaded retainer ring preventing accessory spill-out during relamping. Can accommodate up to three optical accessories.

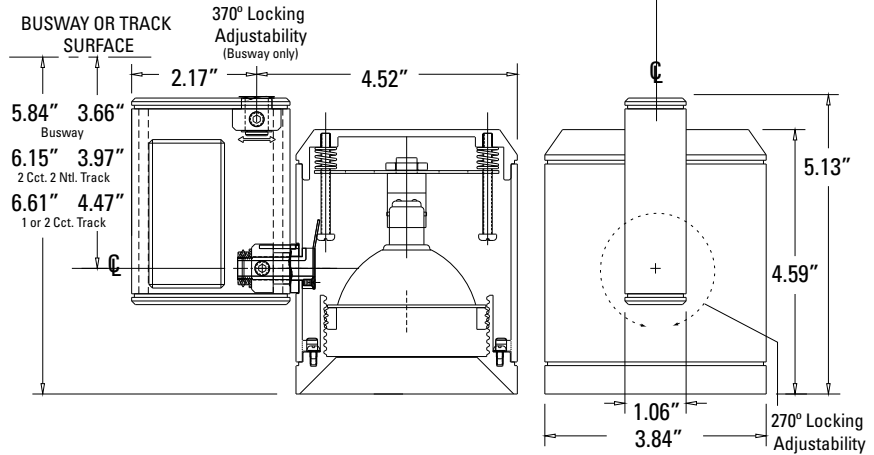
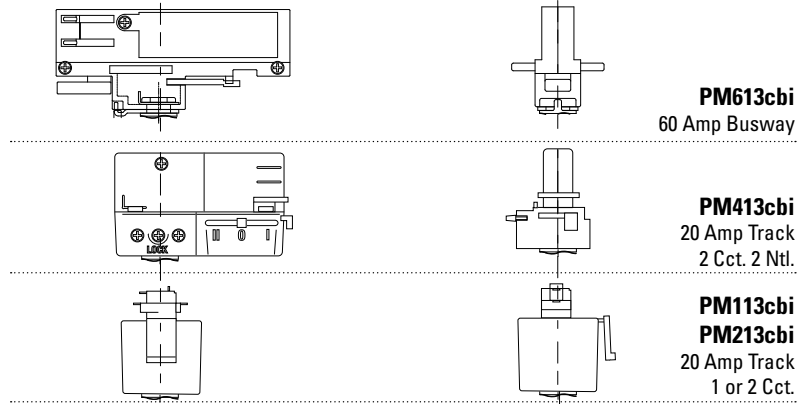
Auto extending / retracting lamp holder. Lamps extend for easy access and automatically retract to optimum position. This is extremely helpful when dealing with varying accessory combinations or differing manufacturer lamp dimensions.

Optical accessories include color filters, UV filters, screens, spread lenses, louvers, hex louvers, snoots. Consult RSA for details.

Locking on both the horizontal and vertical planes. 370° vertical rotation possible due to over-center locking mechanism (60 amp busway only). 270° horizontal locking adjustment.

UL and CUL listed

Available in White, Black, Natural Aluminum or custom finishes.



Closed Back Machined Fixture w/ Integral Transformer	Lamp Wattage	Finish	Voltage
<input type="checkbox"/> <b>PM613cbi</b> - AR70 for 60 Amp Busway	<input type="checkbox"/> <b>20</b> 20 Watt 12V AR70	<input type="checkbox"/> <b>WH</b> White	<input type="checkbox"/> <b>120</b> 120 Volts primary
<input type="checkbox"/> <b>PM113cbi</b> - AR70 for 20 Amp 1 Circuit Track	<input type="checkbox"/> <b>50</b> 50 Watt 12V AR70	<input type="checkbox"/> <b>BK</b> Black	<input type="checkbox"/> <b>277</b> 277 Volts primary
<input type="checkbox"/> <b>PM213cbi</b> - AR70 for 20 Amp 2 Circuit Track		<input type="checkbox"/> <b>AL</b> Natural Aluminum	
<input type="checkbox"/> <b>PM413cbi</b> - AR70 for 20 Amp 2 Circuit / 2 Neutral Track		<input type="checkbox"/> <b>PT</b> Custom Finish	

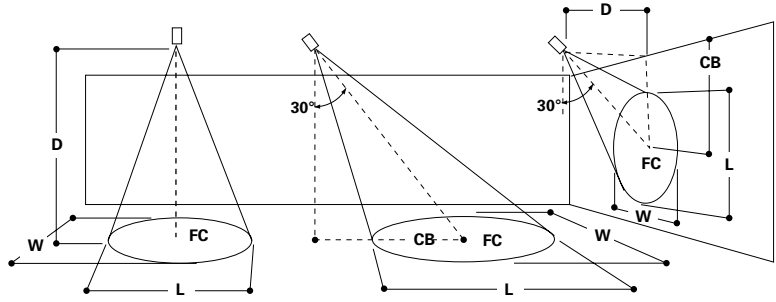
Ordering Example: **PM613cbi-50-AL-120**



### Lamp Performance Data

D = Distance to the horizontal or vertical surface.  
 FC = Initial footcandles at the center of the beam.  
 L = Length of the beam where candlepower is reduced to 50% of center beam candlepower.  
 W = Width of the beam where candlepower is reduced to 50% of center beam candlepower.  
 CB = Distance to the center of the beam.

Lamp data given is typical and is based on bare lamp performance.  
 Contact lamp manufacturers for availability and specific performance.  
 Distance, length and width given in decimal feet.



		0° Aiming Angle Horizontal Footcandles				30° Aiming Angle Horizontal Footcandles				30° Aiming Angle Vertical Footcandles					45° Aiming Angle Vertical Footcandles					
		D	FC	L	W	D	FC	L	W	CB	D	FC	L	W	CB	D	FC	L	W	CB
<b>AR70 12V Halogen DC Bayonet</b>																				
20 AR70 /SP8 Beam Spread = 8° x 8° CBCP = 7,700 Rated Life = 3,000 Hrs.	OSI	6	214	1.1	1.1	5	231	1.0	1.0	2.9	3	214	2	1.1	5.2	4	241	1.0	1.0	4.0
		8	120	1.4	1.4	7	118	1.5	1.4	4.0	4	120	2.5	1.4	6.9	5	154	1.6	1.2	5.0
		10	77	1.6	1.6	9	71	1.9	1.7	5.2	5	77	3.1	1.6	8.7	6	107	1.9	1.4	6.0
		12	53	1.9	1.9	11	48	2.3	2.0	6.4	6	53	3.6	1.9	10.4	7	79	2.2	1.6	7.0
20 AR70 /FL25 Beam Spread = 25° x 25° CBCP = 900 Rated Life = 3,000 Hrs.	OSI	2	225	1.1	1.1	2	169	1.4	1.3	1.2	1	225	2.0	1.1	1.7	2	113	2.1	1.5	2.0
		3	100	1.6	1.6	3	75	2.0	1.8	1.7	2	56	4.4	2.0	3.5	3	50	3.0	2.1	3.0
		4	56	2.0	2.0	4	42	2.6	2.3	2.3	3	25	6.5	2.9	5.2	4	28	4.0	2.7	4.0
		5	36	2.5	2.5	5	27	3.2	2.8	2.9	4	14	8.6	3.8	6.9	5	18	4.9	3.4	5.0
50 AR70 /SP8 Beam Spread = 8° x 8° CBCP = 12,500 Rated Life = 3,000 Hrs.	OSI	7	255	1.2	1.2	6	260	1.4	1.2	3.5	4	195	2.5	1.4	6.9	5	250	1.6	1.2	5.0
		9	154	1.5	1.5	8	146	1.7	1.5	4.6	5	125	3.1	1.6	8.7	7	128	2.2	1.6	7.0
		11	103	1.8	1.8	10	94	2.1	1.9	5.8	6	87	3.6	1.9	10.4	9	77	2.8	2.0	9.0
		13	74	2.1	2.1	12	65	2.5	2.2	6.9	7	64	4.2	2.2	12.1	11	52	3.3	2.4	11.0
50 AR70 /FL25 Beam Spread = 25° x 25°4 CBCP = 2,600 Rated Life = 3,000 Hrs.	OSI	3	289	1.6	1.6	3	217	2.0	1.8	1.7	2	163	4.4	2.0	3.5	3	144	3.0	2.1	3.0
		1	63	2.0	2.0	4	122	2.6	2.3	2.3	3	72	6.5	2.9	5.2	4	81	4.0	2.7	4.0
		5	104	2.5	2.5	5	78	3.2	2.8	2.9	4	41	8.6	3.8	6.9	5	52	4.9	3.4	5.0
		6	72	2.9	2.9	6	54	3.8	3.3	3.5	5	26	10.6	4.7	8.7	6	36	5.8	4.0	6.0

Optivex UV Filter	Red Color Filter	Blue Color Filter	Amber Color Filter	Cosmetic Peach 2800K Filter	Milk White Lens	Diffusion Spread Lens	Linear Spread Lens
LN45	LN46	LN47	LN49	CP20	LN44	LN41	LN43
Prismatic Spread Lens	20% Reduction Screen	30% Reduction Screen	40% Reduction Screen	Hex Cell Louver	Cross Baffle	Snoot	
LN42	RS2020	RS3020	RS4020	LN40	CB20	SN20	