



MR11 12V

Open Back Machined Fixture PM611ob

Catalog # _____

Type _____

Project _____

A machined aluminum track fixture for low voltage MR11 lamps for 20 or 35 watts. For use with RSA Profile Series 60 Amp Busway.

Front loading lamp with bayonet action lens / accessory bezel. Optical accessories are captured in the bezel with a threaded retainer ring preventing accessory spill-out during relamping. Can accommodate up to three optical accessories.

Auto extending / retracting lamp holder. Lamps extend for easy access and automatically retract to optimum position. This is extremely helpful when dealing with varying accessory combinations or differing manufacturer lamp dimensions.

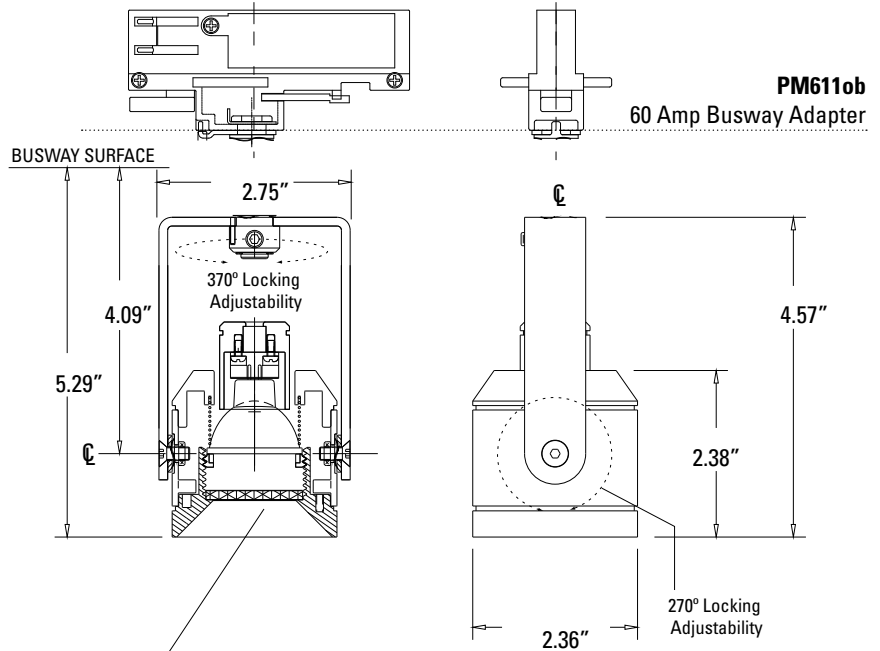
Optical accessories include color filters, UV filters, screens, spread lenses, louvers, hex louvers, snoots. Consult RSA for details.

Locking on both the horizontal and vertical planes. 370° vertical rotation possible due to over-center locking mechanism (60 amp busway only). 270° horizontal locking adjustment.

UL and CUL listed

Clear lens included.

Available in White, Black, Natural Aluminum or custom finishes.



Open Back Machined Fixture	Lamp Wattage	Finish
<input type="checkbox"/> PM611ob - MR11 for 60 Amp Busway	<input type="checkbox"/> 20 20 Watt 12V MR11	<input type="checkbox"/> WH White
	<input type="checkbox"/> 35 35 Watt 12V MR11	<input type="checkbox"/> BK Black
		<input type="checkbox"/> AL Natural Aluminum
		<input type="checkbox"/> PT Custom Finish

--	--	--

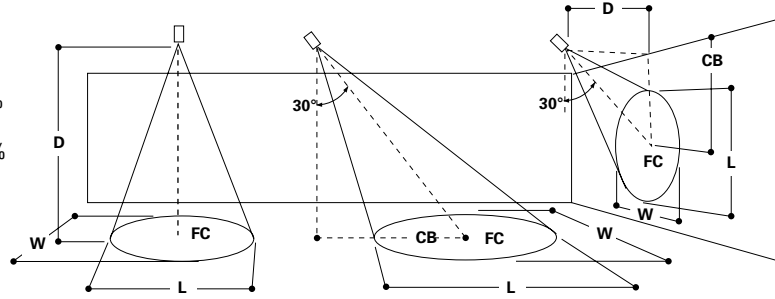
Ordering Example: **PM611ob-35-AL**



Lamp Performance Data

- D = Distance to the horizontal or vertical surface.
- FC = Initial footcandles at the center of the beam.
- L = Length of the beam where candlepower is reduced to 50% of center beam candlepower.
- W = Width of the beam where candlepower is reduced to 50% of center beam candlepower.
- CB = Distance to the center of the beam.

Lamp data given is typical and is based on bare lamp performance. Contact lamp manufacturers for availability and specific performance. Distance, length and width given in decimal feet.



		0° Aiming Angle Horizontal Footcandles				30° Aiming Angle Horizontal Footcandles				30° Aiming Angle Vertical Footcandles					45° Aiming Angle Vertical Footcandles					
		D	FC	L	W	D	FC	L	W	CB	D	FC	L	W	CB	D	FC	L	W	CB
MR11 12V Halogen 2-Pin G4																				
	Q20 MR11 /SP15 (FTC) GEL	3	196	0.9	0.9	3	127	1.2	1.1	1.7	1	271	0.9	0.6	1.7	2	169	1.1	0.9	2.0
	Beam Spread = 15° x 15°	4	110	1.3	1.3	4	71	1.7	1.5	2.3	2	68	1.9	1.1	3.5	3	75	1.7	1.3	3.0
	CBCP = 1,760	5	70	1.6	1.6	5	46	2.1	1.8	2.9	3	30	2.8	1.7	5.2	4	42	2.2	1.7	4.0
	Rated Life = 3,500 Hrs.	6	49	1.9	1.9	6	32	2.5	2.2	3.5	4	17	3.7	2.3	6.9	5	27	2.8	2.1	5.0
	Q20 MR11 /NFL30 (FTD) GEL	2	291	1.0	1.0	2	232	1.1	1.0	1.2	1.0	288	0.6	0.7	1.7	1.5	265	0.9	0.9	1.5
	Beam Spread = 30° x 30°	3	129	1.5	1.5	3	103	1.7	1.5	1.7	2.0	72	1.3	1.4	3.5	2.0	149	1.3	1.2	2.0
	CBCP = 600	4	73	2.0	2.0	4	58	2.3	2.0	2.3	3.0	32	1.9	2.1	5.2	2.5	95	1.6	1.5	2.5
	Rated Life = 3,500 Hrs.	5	46	2.5	2.5	5	37	2.8	2.6	2.9	4.0	18	2.5	2.8	6.9	3.0	66	1.9	1.7	3.0
	Q35 MR11 /SP20 (FTF) GEL	3	333	1.0	1.0	3	228	1.3	1.1	1.7	1.5	228	1.4	0.9	2.6	2	303	1.2	0.9	2.0
	Beam Spread = 20° x 20°	4	188	1.4	1.4	4	128	1.8	1.5	2.3	2.0	128	1.9	1.2	3.5	3	135	1.8	1.4	3.0
	CBCP = 3000	5	120	1.7	1.7	5	82	2.2	1.9	2.9	2.5	82	2.3	1.5	4.3	4	76	2.4	1.8	4.0
	Rated Life = 3,500 Hrs.	6	83	2.1	2.1	6	57	2.3	2.3	3.5	3.0	57	2.8	1.8	5.2	5	48	3.0	2.3	5.0
	Q35 MR11 /NFL30 (FTH) GEL	3	179	1.5	1.5	3	145	1.7	1.6	1.7	1.5	180	1.0	1.1	2.6	2.0	212	1.2	1.4	2.0
	Beam Spread = 30° x 30°	4	101	2.0	2.0	4	82	2.3	2.1	2.3	2.0	101	1.3	1.4	3.5	2.5	135	1.5	1.8	2.0
	CBCP = 1,300	5	64	2.5	2.5	5	52	2.9	2.6	2.9	2.5	65	1.6	1.8	4.3	3.0	94	1.8	2.1	3.0
	Rated Life = 3,500 Hrs.	6	45	3.0	3.0	6	36	3.5	3.2	3.5	3.0	45	2.0	2.1	5.2	3.5	69	2.1	2.5	3.5

Optivex UV Filter	Red Color Filter	Blue Color Filter	Amber Color Filter	Cosmetic Peach 2800K Filter	Milk White Lens	Diffusion Spread Lens	Linear Spread Lens
LN15	LN16	LN17	LN19	CP11	LN14	LN10	LN13
Prismatic Spread Lens	20% Reduction Screen	30% Reduction Screen	40% Reduction Screen	Hex Cell Louver	Cross Baffle	Snoot	
LN12	RS2011	RS3011	RS4011	LN10	CB11	SN11	