

PAR38 Metal Halide

Closed Back Machined Fixture w/ Integral Ballast PM634cb | PM434cb | PM234cb | PM134cb

Catalog # _____

Type _____

Project _____

A machined aluminum track fixture for PAR38MH lamps 70 or 100 watts. For use with RSA Profile Series 60 Amp Busway, 20 Amp 1 or 2 Circuit Track or 20 Amp 2 Circuit / 2 Neutral Track.

Integral electronic metal halide ballast in aluminum housing. Ballast by Aromat®.

Front loading lamp with bayonet action lens / accessory bezel. Optical accessories are captured in the bezel with a threaded retainer ring preventing accessory spill-out during relamping. Can accommodate up to three optical accessories.

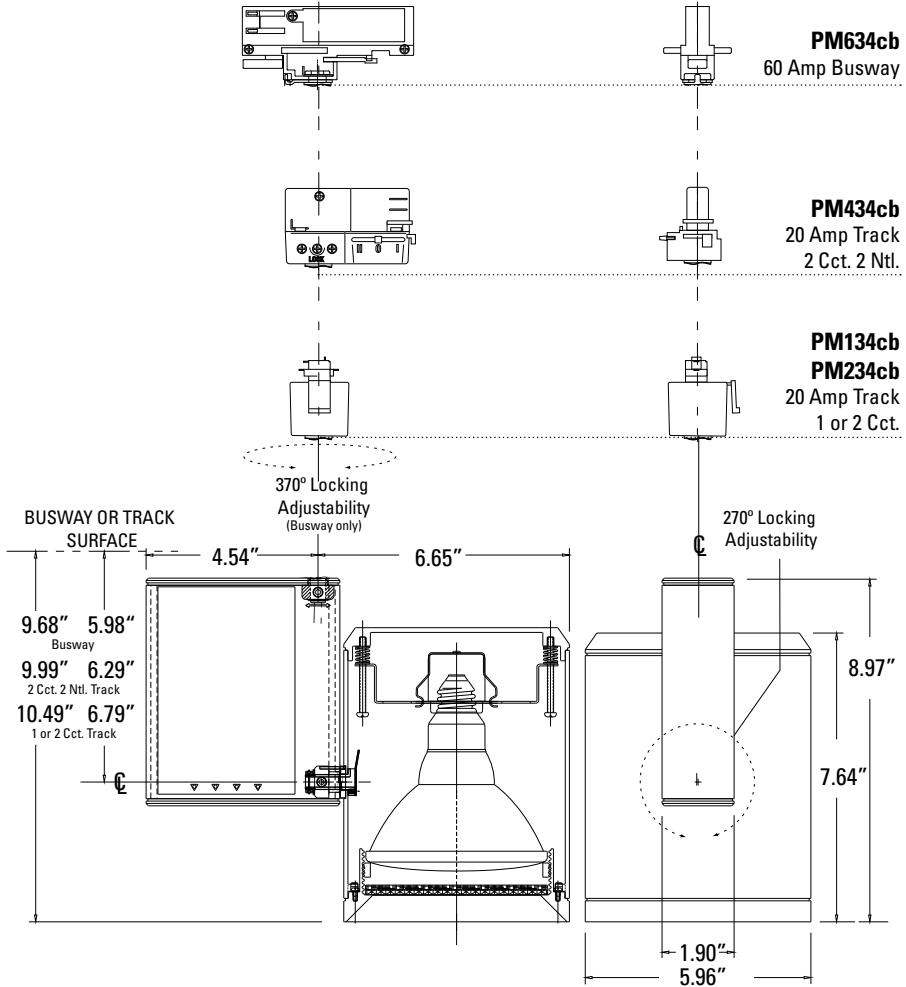
Auto extending / retracting lamp holder. Lamps extend for easy access and automatically retract to optimum position. This is extremely helpful when dealing with varying accessory combinations or differing manufacturer lamp dimensions.

Optical accessories include color filters, UV filters, screens, spread lenses, louvers, hex louvers, snoots. Consult RSA for details.

Locking on both the horizontal and vertical planes. 370° vertical rotation possible due to over-center locking mechanism (60 amp busway only). 270° horizontal locking adjustment.

UL and CUL listed

Available in White, Black, Natural Aluminum or custom finishes.



Closed Back Machined Fixture w/ Integral Ballast	Lamp Wattage	Finish	Voltage
<input type="checkbox"/> PM634cb - PAR38MH for 60 Amp Busway	<input type="checkbox"/> 70 70 Watt PAR38MH	<input type="checkbox"/> WH White	<input type="checkbox"/> 120 120 Volts primary
<input type="checkbox"/> PM134cb - PAR38MH for 20 Amp 1 Circuit Track	<input type="checkbox"/> 100 100 Watt PAR38MH	<input type="checkbox"/> BK Black	<input type="checkbox"/> 277 277 Volts primary
<input type="checkbox"/> PM234cb - PAR38MH for 20 Amp 2 Circuit Track		<input type="checkbox"/> AL Natural Alum.	
<input type="checkbox"/> PM434cb - PAR38MH for 20 Amp 2 Circuit / 2 Neutral Track		<input type="checkbox"/> PT Custom Finish	

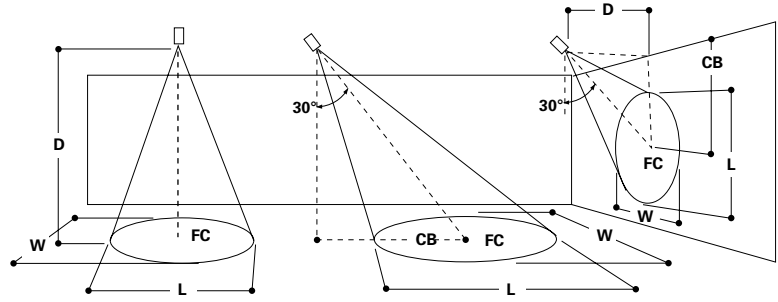
Ordering Example: **PM634cb-70-AL-120**



Lamp Performance Data

D = Distance to the horizontal or vertical surface.
 FC = Initial footcandles at the center of the beam.
 L = Length of the beam where candlepower is reduced to 50% of center beam candlepower.
 W = Width of the beam where candlepower is reduced to 50% of center beam candlepower.
 CB = Distance to the center of the beam.

Lamp data given is typical and is based on bare lamp performance.
 Contact lamp manufacturers for availability and specific performance.
 Distance, length and width given in decimal feet.



		0° Aiming Angle Horizontal Footcandles				30° Aiming Angle Horizontal Footcandles					30° Aiming Angle Vertical Footcandles					45° Aiming Angle Vertical Footcandles					
		D	FC	L	W	D	FC	L	W	CB	D	FC	L	W	CB	D	FC	L	W	CB	
PAR38MH Ceramic Metal Halide																					
	CDM70 /PAR38 /SP /3K	PHI	15	207	3.7	3.7	15	134	4.7	4.2	8.7	5	244	4.2	2.4	8.7	8	257	3.7	2.7	8.0
	Beam Spread = 15° x 15°		20	116	5.0	5.0	20	76	6.3	5.6	11.5	7	125	5.9	3.4	12.1	10	165	4.6	3.4	10.0
	CBCP = 46572		25	75	6.2	6.2	25	48	7.8	7.0	14.4	9	75	7.6	4.3	15.6	12	114	5.5	4.0	12.0
	Rated Life = 10,000 Hrs.		30	52	7.5	7.5	30	34	9.4	8.4	17.3	11	50	9.2	5.3	19.1	14	84	6.4	4.7	14.
	CDM70 /PAR38 /FL /3K	PHI	8	276	3.5	3.5	8	186	4.3	3.9	4.6	5	127	5.3	3.6	8.7	5	283	3.6	2.9	5.0
	Beam Spread = 25° x 25°		10	177	4.4	4.4	10	119	5.4	4.9	5.8	7	65	7.4	5.0	12.1	7	145	5.0	4.0	7.0
	CBCP = 17697		12	123	5.2	5.2	12	82	6.5	5.9	6.9	9	39	9.5	6.5	15.6	9	87	6.4	5.1	9.0
	Rated Life = 10,000 Hrs.		14	90	6.1	6.1	14	61	7.5	6.8	8.1	11	26	11.6	7.9	19.1	11	59	7.9	6.3	11.0
	CDM70 /PAR38 /WFL /3K	PHI	4	301	3.2	3.2	4	211	3.8	4.0	2.3	3	178	3.3	3.4	5.2	3	266	3.2	3.3	3.0
	Beam Spread = 60° x 60°		6	134	4.9	4.9	6	94	5.6	6.0	3.5	4	100	4.5	4.6	6.9	4	150	4.2	4.4	4.0
	CBCP = 4822		8	75	6.5	6.5	8	53	7.5	8.0	4.6	5	64	5.6	5.7	8.7	5	96	5.3	5.5	5.0
	Rated Life = 10,000 Hrs.		10	48	8.1	8.1	10	34	9.4	10.0	5.8	6	44	6.7	6.9	10.4	6	67	6.4	6.6	6.0
	CDM100 /PAR38 /SP /3K	PHI	15	284	3.8	3.8	15	185	4.8	4.3	8.7	6	234	5.1	2.9	10.4	10	226	4.7	3.4	10.
	Beam Spread = 15° x 15°		20	160	5.1	5.1	20	104	6.4	5.7	11.5	8	132	6.8	3.9	13.9	12	157	5.6	4.1	12.0
	CBCP = 639747		25	102	6.3	6.3	25	66	7.9	7.1	14.4	10	84	8.5	4.9	17.3	14	115	6.5	4.8	14.0
	Rated Life = 10,000 Hrs.		30	71	7.6	7.6	30	46	9.5	8.5	17.3	12	58	10.3	5.8	20.8	16	88	7.5	5.5	16.
	CDM100 /PAR38 /FL /3K	PHI	9	279	4.1	4.1	9	187	5.0	4.6	5.2	4	259	4.2	2.9	6.9	6	253	4.4	4.8	6.0
	Beam Spread = 25° x 25°		13	134	5.9	5.9	13	90	7.3	6.6	7.5	5	166	5.3	3.7	8.7	8	142	5.9	6.4	8.0
	CBCP = 22614		17	78	7.7	7.7	17	52	9.5	8.6	9.8	7	85	7.4	5.1	12.1	10	91	7.3	8.0	10.0
	Rated Life = 10,000 Hrs.		20	57	9.0	9.0	20	38	11.2	10.1	11.5	9	51	9.5	6.6	15.6	12	63	8.8	9.6	12.0
	CDM100 /PAR38 /WFL /3K	PHI	5	274	3.8	3.8	5	195	4.7	4.5	2.9	3	233	3.7	3.4	5.2	3	353	3.4	4.5	3.0
	Beam Spread = 60° x 60°		7	140	5.3	5.3	7	100	6.5	6.3	4.0	4	131	5.0	4.6	6.9	4	198	4.5	6.0	4.0
	CBCP = 6862		9	85	6.8	6.8	9	60	8.4	8.1	5.2	5	84	6.2	5.7	8.7	5	127	5.7	7.5	5.0
	Rated Life = 10,000 Hrs.		11	57	8.3	8.3	11	40	10.2	9.9	6.4	6	58	7.4	6.9	10.4	6	88	6.8	9.0	6.0

Optivex UV Filter	Red Color Filter	Blue Color Filter	Amber Color Filter	Cosmetic Peach 2800K Filter	Milk White Lens	Diffusion Spread Lens	Linear Spread Lens
LN65	LN66	LN67	LN69	CP38	LN64	LN61	LN63
Prismatic Spread Lens	20% Reduction Screen	30% Reduction Screen	40% Reduction Screen	Hex Cell Louver	Cross Baffle	Snoot	
LN62	RS2038	RS3038	RS4038	LN60	CB38	SN38	