



PAR38 120V

Closed Back Machined Fixture

PM624cb | PM424cb | PM224cb | PM124cb

Catalog # _____

Type _____

Project _____

A machined aluminum track fixture for line voltage PAR38 lamps up to 250 watts. For use with RSA Profile Series 60 Amp Busway, 20 Amp 1 or 2 Circuit Track or 20 Amp 2 Circuit / 2 Neutral Track.

Front loading lamp with bayonet action lens / accessory bezel. Optical accessories are captured in the bezel with a threaded retainer ring preventing accessory spill-out during relamping. Can accommodate up to three optical accessories.

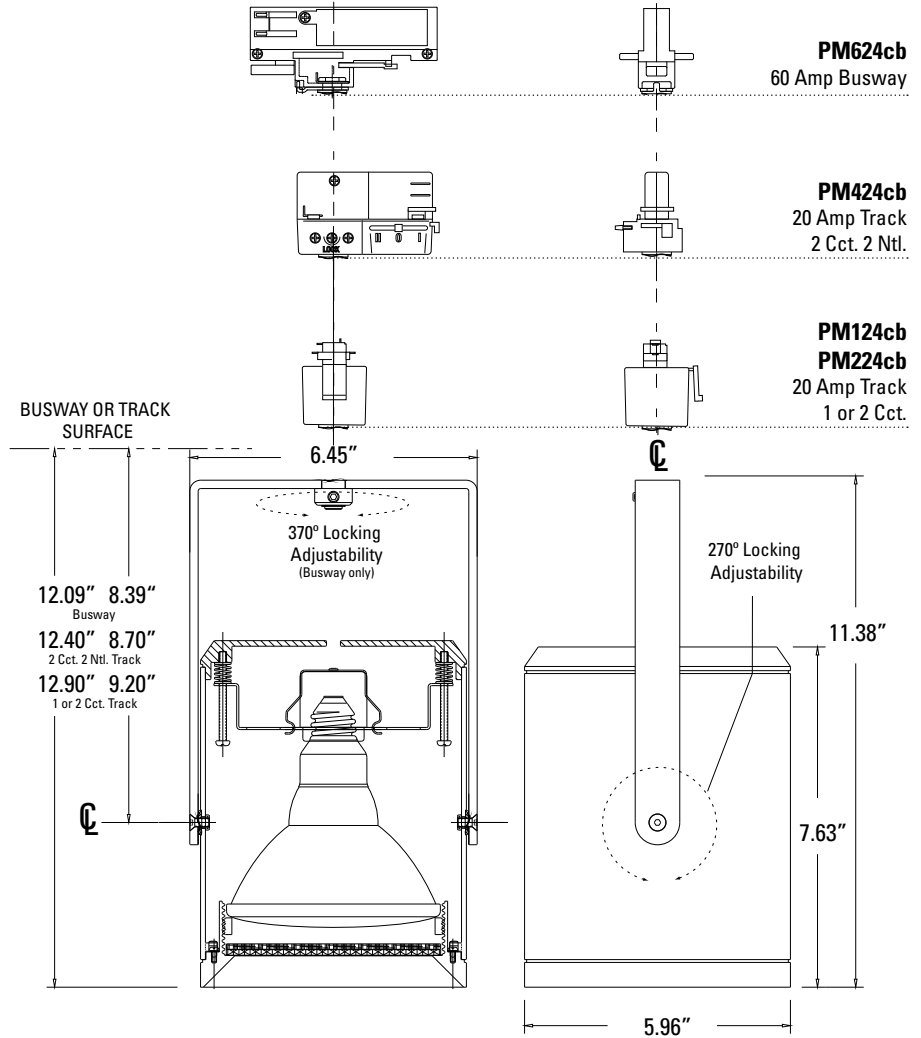
Auto extending / retracting lamp holder. Lamps extend for easy access and automatically retract to optimum position. This is extremely helpful when dealing with varying accessory combinations or differing manufacturer lamp dimensions.

Optical accessories include color filters, UV filters, screens, spread lenses, louvers, hex louvers, snoots. Consult RSA for details.

Locking on both the horizontal and vertical planes. 370° vertical rotation possible due to over-center locking mechanism (60 amp busway only). 270° horizontal locking adjustment.

UL and CUL listed

Available in White, Black, Natural Aluminum or custom finishes.



Closed Back Machined Fixture

- PM624cb** - PAR38 for 60 Amp Busway
- PM124cb** - PAR38 for 20 Amp 1 Circuit Track
- PM224cb** - PAR38 for 20 Amp 2 Circuit Track
- PM424cb** - PAR38 for 20 Amp 2 Circuit / 2 Neutral Track

Lamp Wattage

- 250** 250 Watt Max. PAR38

Finish

- WH** White
- BK** Black
- AL** Natural Aluminum
- PT** Custom Finish

Ordering Example: **PM624cb-250-AL**



Lamp Performance Data

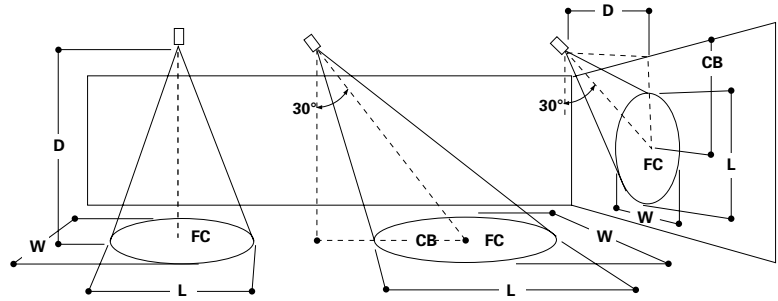
D = Distance to the horizontal or vertical surface.

FC = Initial footcandles at the center of the beam.

L = Length of the beam where candlepower is reduced to 50% of center beam candlepower.

W = Width of the beam where candlepower is reduced to 50% of center beam candlepower.

CB = Distance to the center of the beam.



Lamp data given is typical and is based on bare lamp performance. Contact lamp manufacturers for availability and specific performance. Distance, length and width given in decimal feet.

		0° Aiming Angle Horizontal Footcandles				30° Aiming Angle Horizontal Footcandles					30° Aiming Angle Vertical Footcandles					45° Aiming Angle Vertical Footcandles				
		D	FC	L	W	D	FC	L	W	CB	D	FC	L	W	CB	D	FC	L	W	CB
PAR38 Halogen E26 Medium Base																				
	45 PAR /CAP /SPL /SP9 OSI	6	278	1.3	1.3	4	469	1.2	1.1	2.3	3	278	2.3	1.3	5.2	5	200	2.0	1.5	5.0
	Beam Spread = 9° x 9°	8	156	1.7	1.7	6	208	1.7	1.5	3.5	4	156	3.0	1.7	6.9	6	139	2.3	1.7	6.0
	CBCP = 10,000	10	100	2.0	2.0	8	117	2.1	1.8	4.6	5	100	3.6	2.0	8.7	7	102	2.6	2.0	7.0
	Rated Life = 2,500 Hrs.	12	69	2.3	2.3	10	75	2.5	2.2	5.8	6	69	4.2	2.3	10.4	8	78	2.9	2.2	8.0
	45 PAR /CAP /SPL /FL30 OSI	3	167	2.0	2.0	2	281	1.9	1.6	1.2	2	94	5.9	2.5	3.5	2	188	2.7	1.9	2.0
	Beam Spread = 30° x 30°	4	94	2.5	2.5	3	125	2.6	2.3	1.7	3	42	8.6	3.6	5.2	3	83	3.9	2.7	3.0
	CBCP = 1,500	5	60	3.1	3.1	4	70	3.3	2.9	2.3	4	23	11.3	4.7	6.9	4	47	5.0	3.4	4.0
	Rated Life = 2,500 Hrs.	6	42	3.6	3.6	5	45	4.1	3.5	2.9	5	15	14.1	5.8	8.7	5	30	6.2	4.2	5.0
	45 PAR /CAP /SPL /WFL50 OSI	2	175	2.3	2.3	2	131	3.1	2.5	1.2	1	175	11.1	2.3	1.7	2	88	5.2	3.0	2.0
	Beam Spread = 50° x 50°	3	78	3.2	3.2	3	58	4.4	3.6	1.7	2	44	21.9	4.1	3.5	3	39	7.5	4.4	3.0
	CBCP = 700	4	44	4.1	4.1	4	33	5.8	4.7	2.3	3	19	32.6	6.0	5.2	4	22	9.9	5.7	4.0
	Rated Life = 2,500 Hrs.	5	28	5.1	5.1	5	21	7.1	5.8	2.9	4	11	43.3	7.9	6.9	5	14	12.3	7.0	5.0
	60 PAR /CAP /SPL /SP9 OSI	8	250	1.7	1.7	7	245	1.9	1.7	4.0	4	250	3.0	1.7	6.9	6	222	2.3	1.7	6.0
	Beam Spread = 9° x 9°	11	132	2.1	2.1	9	148	2.3	2.0	5.2	5	160	3.6	2.0	8.7	8	125	2.9	2.2	8.0
	CBCP = 16,000	14	82	2.6	2.6	11	99	2.7	2.4	6.4	6	111	4.2	2.3	10.4	10	80	3.6	2.6	10.0
	Rated Life = 3,000 Hrs.	17	55	3.1	3.1	13	71	3.1	2.8	7.5	7	82	4.9	2.6	12.1	12	56	4.2	3.1	12.0
	60 PAR /CAP /SPL /NFL25 OSI	4	206	2.2	2.2	3	275	2.2	1.9	1.7	2	206	4.6	2.2	3.5	3	183	3.2	2.3	3.0
	Beam Spread = 25° x 25°	5	132	2.6	2.6	4	155	2.8	2.4	2.3	3	92	6.6	3.1	5.2	4	103	4.1	2.9	4.0
	CBCP = 3,300	6	92	3.1	3.1	5	99	3.4	3.0	2.9	4	52	8.7	3.9	6.9	5	66	5.1	3.5	5.0
	Rated Life = 3,000 Hrs.	7	67	3.5	3.5	6	69	4.0	3.5	3.5	5	33	10.8	4.8	8.7	6	46	6.0	4.2	6.0
	60 PAR /CAP /SPL /FL30 OSI	3	278	2.0	2.0	3	208	2.6	2.3	1.7	2	156	5.9	2.5	3.5	3	139	3.9	2.7	3.0
	Beam Spread = 30° x 30°	4	156	2.5	2.5	4	117	3.3	2.9	2.3	3	69	8.6	3.6	5.2	4	78	5.0	3.4	4.0
	CBCP = 2,500	5	100	3.1	3.1	5	75	4.1	3.5	2.9	4	39	11.3	4.7	6.9	5	50	6.2	4.2	5.0
	Rated Life = 3,000 Hrs.	6	69	3.6	3.6	6	52	4.8	4.1	3.5	5	25	14.1	5.8	8.7	6	35	7.3	4.9	6.0
	90 PAR /CAP /SPL /SP9 OSI	9	274	1.8	1.8	8	260	2.1	1.8	4.6	5	222	3.6	2.0	8.7	7	227	2.6	2.0	7.0
	Beam Spread = 9° x 9°	12	154	2.3	2.3	11	138	2.7	2.4	6.4	6	154	4.2	2.3	10.4	9	137	3.2	2.4	9.0
	CBCP = 22,000	15	99	2.8	2.8	14	85	3.3	2.9	8.1	7	113	4.9	2.6	12.1	11	92	3.9	2.8	11.0
	Rated Life = 2,500 Hrs.	18	69	3.2	3.2	17	58	4.0	3.5	9.8	8	87	5.5	2.9	13.9	13	66	4.5	3.3	13.0
	90 PAR /CAP /SPL /FL30 OSI	4	219	2.5	2.5	3	292	2.6	2.3	1.7	2	219	5.9	2.5	3.5	3	194	3.9	2.7	3.0
	Beam Spread = 30° x 30°	6	97	3.6	3.6	4	164	3.3	2.9	2.3	3	97	8.6	3.6	5.2	4	109	5.0	3.4	4.0
	CBCP = 3,500	8	55	4.7	4.7	5	105	4.1	3.5	2.9	4	55	11.3	4.7	6.9	5	70	6.2	4.2	5.0
	Rated Life = 2,500 Hrs.	10	35	5.8	5.8	6	73	4.8	4.1	3.5	5	35	14.1	5.8	8.7	6	49	7.3	4.9	6.0
	120 PAR /CAP /SPL /FL30 OSI	4	288	2.5	2.5	4	216	3.3	2.9	2.3	2	288	5.9	2.5	3.5	3	256	3.9	2.7	3.0
	Beam Spread = 30° x 30°	5	184	3.1	3.1	5	138	4.1	3.5	2.9	3	128	8.6	3.6	5.2	4	144	5.0	3.4	4.0
	CBCP = 4,600	6	128	3.6	3.6	6	96	4.8	4.1	3.5	4	72	11.3	4.7	6.9	5	92	6.2	4.2	5.0
	Rated Life = 3,000 Hrs.	7	94	4.1	4.1	7	70	5.5	4.7	4.0	5	46	14.1	5.8	8.7	6	64	7.3	4.9	6.0
	120 PAR /CAP /SPL /WFL55 OSI	3	222	3.5	3.5	3	167	5.0	4.0	1.7	2	125	44.9	4.6	3.5	2	250	6.1	3.3	2.0
	Beam Spread = 55° x 55°	4	125	4.6	4.6	4	94	6.5	5.2	2.3	3	56	67.2	6.6	5.2	3	111	9.0	4.8	3.0
	CBCP = 2,000	5	80	5.6	5.6	5	60	8.0	6.4	2.9	4	31	89.5	8.7	6.9	4	63	11.8	6.3	4.0
	Rated Life = 3,000 Hrs.	6	56	6.6	6.6	6	42	9.6	7.6	3.5	5	20	112	10.8	8.7	5	40	14.7	7.8	5.0
	250 PAR /CAP /SPL /SP10 OSI	13	275	2.7	2.7	11	288	3.0	2.6	6.4	7	237	5.4	2.8	12.1	9	287	3.6	2.6	9.0
	Beam Spread = 10° x 10°	18	144	3.5	3.5	15	155	3.9	3.4	8.7	9	144	6.8	3.5	15.6	13	138	5.0	3.6	13.0
	CBCP = 46,500	23	88	4.4	4.4	19	97	4.8	4.2	11.0	11	96	8.3	4.2	19.1	17	80	6.4	4.6	17.0
	Rated Life = 4,500 Hrs.	28	59	5.3	5.3	23	66	5.8	5.0	13.3	13	69	9.7	4.9	22.5	21	53	7.8	5.6	21.0
	250 PAR /CAP /SPL /FL30 OSI	6	250	3.6	3.6	5	270	4.1	3.5	2.9	3	250	8.6	3.6	5.2	4	281	5.0	3.4	4.0
	Beam Spread = 30° x 30°	8	141	4.7	4.7	7	138	5.5	4.7	4.0	4	141	11.3	4.7	6.9	5	180	6.2	4.2	5.0
	CBCP = 9,000	10	90	5.8	5.8	9	83	7.0	6.0	5.2	5	90	14.1	5.8	8.7	6	125	7.3	4.9	6.0
	Rated Life = 4,500 Hrs.	12	63	6.8	6.8	11	56	8.4	7.2	6.4	6	63	16.8	6.8	10.4	7	92	8.5	5.7	7.0

Optivex UV Filter	Red Color Filter	Blue Color Filter	Amber Color Filter	Cosmetic Peach 2800K Filter	Milk White Lens	Diffusion Spread Lens	Linear Spread Lens
LN65	LN66	LN67	LN69	CP38	LN64	LN61	LN63
Prismatic Spread Lens	20% Reduction Screen	30% Reduction Screen	40% Reduction Screen	Hex Cell Louver	Cross Baffle	Snoot	
LN62	RS2038	RS3038	RS4038	LN60	CB38	SN38	