

AR111 12V

Closed Back Machined Fixture w/ Integral Transformer PM614cbi | PM414cbi | PM214cbi | PM114cbi

Catalog # _____

Type _____

Project _____

A machined aluminum track fixture for low voltage AR111 lamps from 35 to 100 watts. For use with RSA Profile Series 60 Amp Busway, 20 Amp 1 or 2 Circuit Track or 20 Amp 2 Circuit / 2 Neutral Track.

Integral low voltage electronic transformer in aluminum housing.

Front loading lamp with bayonet action lens / accessory bezel. Optical accessories are captured in the bezel with a threaded retainer ring preventing accessory spill-out during relamping. Can accommodate up to three optical accessories.

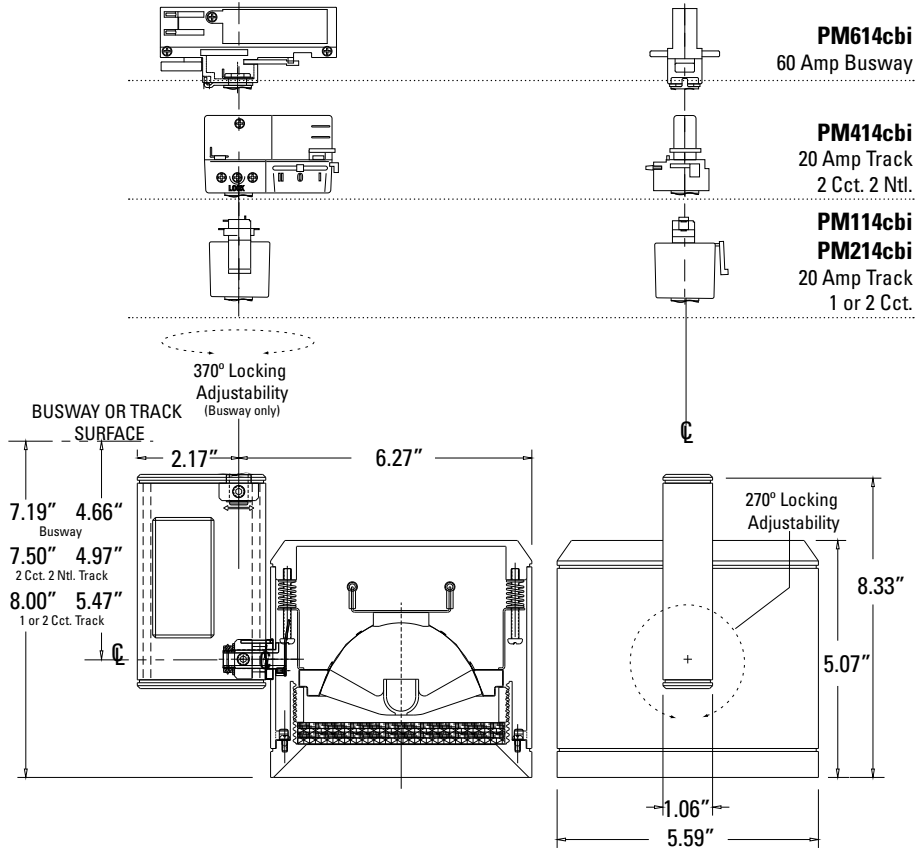
Auto extending / retracting lamp holder. Lamps extend for easy access and automatically retract to optimum position. This is extremely helpful when dealing with varying accessory combinations or differing manufacturer lamp dimensions.

Optical accessories include color filters, UV filters, screens, spread lenses, louvers, hex louvers, snoots. Consult RSA for details.

Locking on both the horizontal and vertical planes. 370° vertical rotation possible due to over-center locking mechanism (60 amp busway only). 270° horizontal locking adjustment.

UL and CUL listed

Available in White, Black, Natural Aluminum or custom finishes.



Closed Back Machined Fixture w/ Integral Transformer

- PM614cbi** - AR111 for 60 Amp Busway
- PM114cbi** - AR111 for 20 Amp 1 Circuit Track
- PM214cbi** - AR111 for 20 Amp 2 Circuit Track
- PM414cbi** - AR111 for 20 Amp 2 Circuit / 2 Neutral Track

Lamp Wattage

- 35** 35 Watt 12V AR111
- 50** 50 Watt 12V AR111
- 75** 75 Watt 12V AR111
- 100** 100 Watt 12V AR111

Finish

- WH** White
- BK** Black
- AL** Natural Alum.
- PT** Custom Finish

Voltage

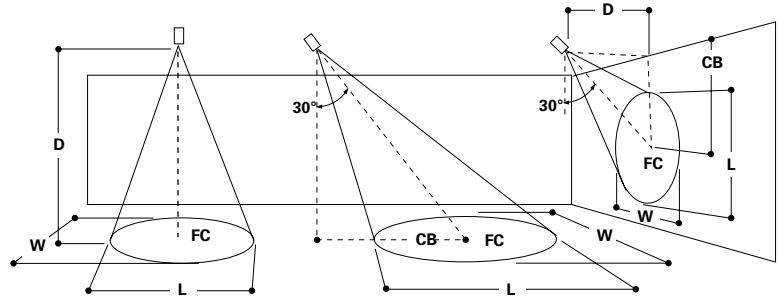
- 120** 120 Volts primary
- 277** 277 Volts primary

Ordering Example: **PM614cbi-50-AL-120**



Lamp Performance Data

D = Distance to the horizontal or vertical surface.
 FC = Initial footcandles at the center of the beam.
 L = Length of the beam where candlepower is reduced to 50% of center beam candlepower.
 W = Width of the beam where candlepower is reduced to 50% of center beam candlepower.
 CB = Distance to the center of the beam.



Lamp data given is typical and is based on bare lamp performance.
 Contact lamp manufacturers for availability and specific performance.
 Distance, length and width given in decimal feet.

		0° Aiming Angle Horizontal Footcandles				30° Aiming Angle Horizontal Footcandles					30° Aiming Angle Vertical Footcandles					45° Aiming Angle Vertical Footcandles					
		D	FC	L	W	D	FC	L	W	CB	D	FC	L	W	CB	D	FC	L	W	CB	
AR111 12V Halogen G53																					
	35 AR111 /SSP4	OSI	13	266	1.3	1.3	12	234	1.5	1.3	6.9	6	313	2.0	1.2	10.4	9	278	1.6	1.3	9.0
	Beam Spread = 4° x 4°		18	139	1.6	1.6	16	132	1.9	1.7	9.2	9	139	2.9	1.6	15.6	13	133	2.2	1.6	13.0
	CBCP = 45,000		23	85	2.0	2.0	20	84	2.2	2.0	11.5	12	78	3.7	2.0	20.8	17	78	2.7	2.0	17.0
	Rated Life = 3,000 Hrs.		28	57	2.3	2.3	24	59	2.6	2.3	13.9	15	50	4.6	2.5	26.0	21	51	3.3	2.4	21.0
	35 AR111 /SP8	OSI	7	286	1.3	1.3	6	292	1.5	1.3	3.5	4	219	2.6	1.5	6.9	5	280	1.8	1.4	5.0
	Beam Spread = 8° x 8°		10	140	1.8	1.8	8	164	1.9	1.7	4.6	5	140	3.2	1.8	8.7	7	143	2.3	1.7	7.0
	CBCP = 14,000		13	83	2.2	2.2	10	105	2.2	2.0	5.8	6	97	3.8	2.0	10.4	9	86	2.9	2.1	9.0
	Rated Life = 3,000 Hrs.		16	55	2.6	2.6	12	73	2.6	2.3	6.9	7	71	4.3	2.3	12.1	11	58	3.5	2.5	11.0
	35 AR111 /FL25	OSI	3	278	1.7	1.7	3	208	2.2	1.9	1.7	2	156	4.5	2.1	3.5	3	139	3.2	2.2	3.0
	Beam Spread = 25° x 25°		4	156	2.1	2.1	4	117	2.8	2.4	2.3	3	69	6.6	3.0	5.2	4	78	4.1	2.9	4.0
	CBCP = 2,500		5	100	2.6	2.6	5	75	3.4	2.9	2.9	4	39	8.7	3.9	6.9	5	50	5.0	3.5	5.0
	Rated Life = 3,000 Hrs.		6	69	3.0	3.0	6	52	4.0	3.4	3.5	5	25	10.8	4.8	8.7	6	35	6.0	4.1	6.0
	50 AR111 /SSP4	OSI	12	347	1.4	1.4	12	260	1.6	1.5	6.9	7	255	2.5	1.5	12.1	8	391	1.6	1.3	8.0
	Beam Spread = 4° x 4°		18	154	1.8	1.8	16	146	2.0	1.8	9.2	9	154	3.0	1.8	15.6	12	174	2.2	1.7	12.0
	CBCP = 50,000		24	87	2.2	2.2	20	94	2.4	2.1	11.5	11	103	3.6	2.1	19.1	16	98	2.8	2.1	16.0
	Rated Life = 3,000 Hrs.		30	56	2.6	2.6	26	55	2.9	2.6	15.0	13	74	4.2	2.3	22.5	20	63	3.3	2.5	20.0
	50 AR111 /SP8	OSI	10	200	1.8	1.8	8	234	1.9	1.7	4.6	5	200	3.2	1.8	8.7	7	204	2.3	1.7	7.0
	Beam Spread = 8° x 8°		15	89	2.5	2.5	12	104	2.6	2.3	6.9	7	102	4.3	2.3	12.1	10	100	3.2	2.3	10.0
	CBCP = 20,000		20	50	3.2	3.2	14	77	3.0	2.6	8.1	9	62	5.5	2.9	15.6	13	59	4.0	2.9	13.0
	Rated Life = 3,000 Hrs.		25	32	3.9	3.9	16	59	3.4	2.9	9.2	11	41	6.6	3.4	19.1	16	39	4.9	3.5	16.0
	50 AR111 /FL25	OSI	4	219	2.1	2.1	3	292	2.2	1.9	1.7	2	219	4.5	2.1	3.5	3	194	3.2	2.2	3.0
	Beam Spread = 25° x 25°		5	140	2.6	2.6	4	164	2.8	2.4	2.3	3	97	6.6	3.0	5.2	4	109	4.1	2.9	4.0
	CBCP = 3,500		6	97	3.0	3.0	5	105	3.4	2.9	2.9	4	55	8.7	3.9	6.9	5	70	5.0	3.5	5.0
	Rated Life = 3,000 Hrs.		7	71	3.5	3.5	6	73	4.0	3.4	3.5	5	35	10.8	4.8	8.7	6	49	6.0	4.1	6.0
	75 AR111 /SP8	OSI	10	300	1.8	1.8	9	278	2.0	1.8	5.2	5	300	3.2	1.8	8.7	8	234	2.6	1.9	8.0
	Beam Spread = 8° x 8°		14	153	2.3	2.3	12	156	2.6	2.3	6.9	7	153	4.3	2.3	12.1	11	124	3.5	2.5	11.0
	CBCP = 30,000		18	93	2.9	2.9	15	100	3.2	2.8	8.7	9	93	5.5	2.9	15.6	14	77	4.3	3.1	14.0
	Rated Life = 3,000 Hrs.		22	62	3.4	3.4	18	69	3.7	3.3	10.4	11	62	6.6	3.4	19.1	17	52	5.1	3.7	17.0
	75 AR111 /FL25	OSI	5	212	2.6	2.6	4	248	2.8	2.4	2.3	3	147	6.6	3.0	5.2	3	294	3.2	2.2	3.0
	Beam Spread = 25° x 25°		6	147	3.0	3.0	5	159	3.4	2.9	2.9	4	83	8.7	3.9	6.9	4	166	4.1	2.9	4.0
	CBCP = 5,300		7	108	3.5	3.5	6	110	4.0	3.4	3.5	5	53	10.8	4.8	8.7	5	106	5.0	3.5	5.0
	Rated Life = 3,000 Hrs.		8	83	3.9	3.9	7	81	4.6	3.9	4.0	6	37	12.8	5.7	10.4	6	74	6.0	4.1	6.0
	75 AR111 /WFL45	OSI	3	189	2.8	2.8	3	142	3.9	3.2	1.7	2	106	14.0	3.7	3.5	2	213	4.4	2.7	2.0
	Beam Spread = 45° x 45°		4	106	3.7	3.7	4	80	5.1	4.2	2.3	3	47	20.8	5.3	5.2	3	94	6.4	3.9	3.0
	CBCP = 1,700		5	68	4.5	4.5	5	51	6.2	5.1	2.9	4	27	27.7	7.0	6.9	4	53	8.4	5.1	4.0
	Rated Life = 3,000 Hrs.		6	47	5.3	5.3	6	35	7.4	6.1	3.5	5	17	34.5	8.6	8.7	5	34	10.4	6.2	5.0

Optivex UV Filter	Red Color Filter	Blue Color Filter	Amber Color Filter	Cosmetic Peach 2800K Filter	Milk White Lens	Diffusion Spread Lens	Linear Spread Lens
LN85	LN86	LN87	LN89	CP111	LN84	LN81	LN83
Prismatic Spread Lens	20% Reduction Screen	30% Reduction Screen	40% Reduction Screen	Hex Cell Louver	Cross Baffle	Snoot	
LN82	RS2036	RS3036	RS4036	LN80	CB111	SN36	