



PAR16 120V

Open Back Machined Fixture

PM621ob | PM421ob | PM221ob | PM121ob

Catalog # _____

Type _____

Project _____

A machined aluminum track fixture for line voltage PAR16 lamps up to 75 watts. For use with RSA Profile Series 60 Amp Busway, 20 Amp 1 or 2 Circuit Track or 20 Amp 2 Circuit / 2 Neutral Track.

Front loading lamp with bayonet action lens / accessory bezel. Optical accessories are captured in the bezel with a threaded retainer ring preventing accessory spill-out during relamping. Can accommodate up to three optical accessories.

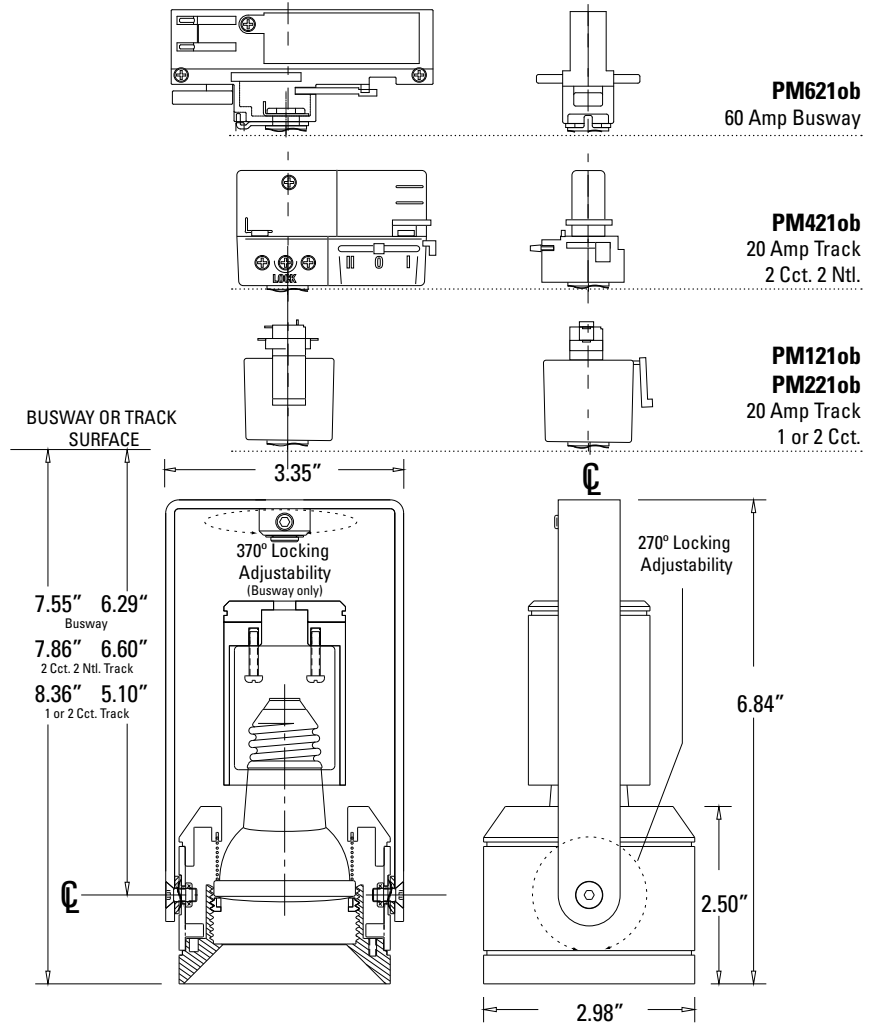
Auto extending / retracting lamp holder. Lamps extend for easy access and automatically retract to optimum position. This is extremely helpful when dealing with varying accessory combinations or differing manufacturer lamp dimensions.

Optical accessories include color filters, UV filters, screens, spread lenses, louvers, hex louvers, snoots. Consult RSA for details.

Locking on both the horizontal and vertical planes. 370° vertical rotation possible due to over-center locking mechanism (60 amp busway only). 270° horizontal locking adjustment.

UL and CUL listed.

Available in White, Black, Natural Aluminum or custom finishes.



| Open Back Machined Fixture | Lamp Wattage | Finish |
|--|---|---|
| <input type="checkbox"/> PM621ob - PAR16 for 60 Amp Busway | <input type="checkbox"/> 75 75 Watt Max. PAR16 | <input type="checkbox"/> WH White |
| <input type="checkbox"/> PM121ob - PAR16 for 20 Amp 1 Circuit Track | | <input type="checkbox"/> BK Black |
| <input type="checkbox"/> PM221ob - PAR16 for 20 Amp 2 Circuit Track | | <input type="checkbox"/> AL Natural Aluminum |
| <input type="checkbox"/> PM421ob - PAR16 for 20 Amp 2 Circuit / 2 Neutral Track | | <input type="checkbox"/> PT Custom Finish |

Ordering Example: **PM621ob-75-AL**



Lamp Performance Data

D = Distance to the horizontal or vertical surface.

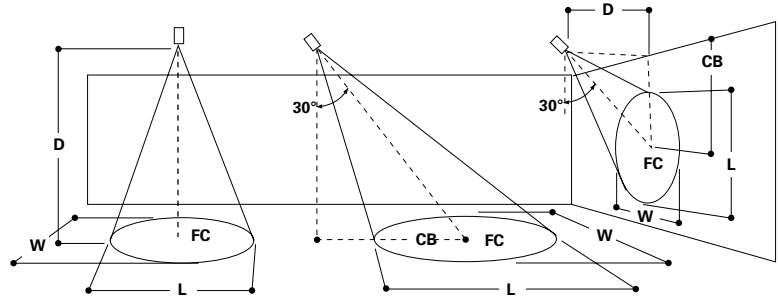
FC = Initial footcandles at the center of the beam.

L = Length of the beam where candlepower is reduced to 50% of center beam candlepower.

W = Width of the beam where candlepower is reduced to 50% of center beam candlepower.

CB = Distance to the center of the beam.

Lamp data given is typical and is based on bare lamp performance. Contact lamp manufacturers for availability and specific performance. Distance, length and width given in decimal feet.



| 0° Aiming Angle Horizontal Footcandles | | | | 30° Aiming Angle Horizontal Footcandles | | | | | 30° Aiming Angle Vertical Footcandles | | | | | 45° Aiming Angle Vertical Footcandles | | | | |
|---|----|---|---|--|----|---|---|----|--|----|---|---|----|--|----|---|---|----|
| D | FC | L | W | D | FC | L | W | CB | D | FC | L | W | CB | D | FC | L | W | CB |

PAR16 Halogen E26 Medium Base

| | | | | | | | | | | | | | | | | | | | | |
|--|-----|----|-----|-----|-----|----|-----|-----|-----|-----|---|-----|------|-----|------|---|-----|-----|-----|-----|
| 60 PAR16 /CAP /NSP10 Beam Spread = 10° x 10° CBCP = 5,000 Rated Life = 2,000 Hrs. | OSI | 6 | 139 | 1.2 | 1.2 | 5 | 150 | 1.3 | 1.2 | 2.9 | 2 | 313 | 1.6 | 0.9 | 3.5 | 3 | 278 | 1.2 | 0.9 | 3.0 |
| | | 8 | 78 | 1.6 | 1.6 | 7 | 77 | 1.8 | 1.6 | 4.0 | 3 | 139 | 2.3 | 1.2 | 5.2 | 5 | 100 | 1.9 | 1.4 | 5.0 |
| | | 10 | 50 | 1.9 | 1.9 | 9 | 46 | 2.3 | 2.0 | 5.2 | 4 | 78 | 3.0 | 1.6 | 6.9 | 7 | 51 | 2.6 | 1.9 | 7.0 |
| | | 12 | 35 | 2.3 | 2.3 | 11 | 31 | 2.7 | 2.4 | 6.4 | 5 | 50 | 3.7 | 1.9 | 8.7 | 9 | 31 | 3.3 | 2.4 | 9.0 |
| 60 PAR16 /CAP /NFL30 Beam Spread = 30° x 30° CBCP = 1,300 Rated Life = 2,000 Hrs. | OSI | 5 | 200 | 1.0 | 1.0 | 4 | 234 | 1.1 | 1.0 | 2.3 | 3 | 139 | 2.3 | 1.2 | 5.2 | 3 | 278 | 1.2 | 0.9 | 3.0 |
| | | 6 | 139 | 1.2 | 1.2 | 5 | 150 | 1.3 | 1.2 | 2.9 | 4 | 78 | 3.0 | 1.6 | 6.9 | 4 | 156 | 1.6 | 1.2 | 4.0 |
| | | 7 | 102 | 1.4 | 1.4 | 6 | 104 | 1.6 | 1.4 | 3.5 | 5 | 50 | 3.7 | 1.9 | 8.7 | 5 | 100 | 1.9 | 1.4 | 5.0 |
| | | 8 | 78 | 1.6 | 1.6 | 7 | 77 | 1.8 | 1.6 | 4.0 | 6 | 35 | 4.5 | 2.3 | 10.4 | 6 | 69 | 2.3 | 1.7 | 6.0 |
| 75 PAR16 /CAP /NSP10 Beam Spread = 10° x 10° CBCP = 7,500 Rated Life = 2,000 Hrs. | OSI | 5 | 300 | 1.0 | 1.0 | 5 | 225 | 1.3 | 1.2 | 2.9 | 3 | 208 | 2.3 | 1.2 | 5.2 | 4 | 234 | 1.6 | 1.2 | 4.0 |
| | | 7 | 153 | 1.4 | 1.4 | 6 | 156 | 1.6 | 1.4 | 3.5 | 4 | 117 | 3.0 | 1.6 | 6.9 | 5 | 150 | 1.9 | 1.4 | 5.0 |
| | | 9 | 93 | 1.7 | 1.7 | 7 | 115 | 1.8 | 1.6 | 4.0 | 5 | 75 | 3.7 | 1.9 | 8.7 | 6 | 104 | 2.3 | 1.7 | 6.0 |
| | | 11 | 62 | 2.1 | 2.1 | 8 | 88 | 2.0 | 1.8 | 4.6 | 6 | 52 | 4.5 | 2.3 | 10.4 | 7 | 77 | 2.6 | 1.9 | 7.0 |
| 75 PAR16 /CAP /NFL30 Beam Spread = 30° x 30° CBCP = 1,900 Rated Life = 2,000 Hrs. | OSI | 3 | 211 | 1.8 | 1.8 | 3 | 158 | 2.4 | 2.0 | 1.7 | 2 | 119 | 5.6 | 2.3 | 3.5 | 2 | 238 | 2.5 | 1.7 | 2.0 |
| | | 4 | 119 | 2.3 | 2.3 | 4 | 89 | 3.1 | 2.6 | 2.3 | 3 | 53 | 8.4 | 3.4 | 5.2 | 3 | 106 | 3.6 | 2.4 | 3.0 |
| | | 5 | 76 | 2.8 | 2.8 | 5 | 57 | 3.8 | 3.3 | 2.9 | 4 | 30 | 11.1 | 4.5 | 6.9 | 4 | 59 | 4.8 | 3.2 | 4.0 |
| | | 6 | 53 | 3.4 | 3.4 | 6 | 40 | 4.6 | 3.9 | 3.5 | 5 | 19 | 13.8 | 5.5 | 8.7 | 5 | 38 | 5.9 | 4.0 | 5.0 |

| | | | | | | | |
|-----------------------|----------------------|----------------------|----------------------|-----------------------------|-----------------|-----------------------|--------------------|
| Optivex UV Filter | Red Color Filter | Blue Color Filter | Amber Color Filter | Cosmetic Peach 2800K Filter | Milk White Lens | Diffusion Spread Lens | Linear Spread Lens |
| LN25 | LN26 | LN27 | LN29 | CP16 | LN24 | LN21 | LN23 |
| Prismatic Spread Lens | 20% Reduction Screen | 30% Reduction Screen | 40% Reduction Screen | Hex Cell Louver | Cross Baffle | Snoot | |
| LN22 | RS2016 | RS3016 | RS4016 | LN20 | CB16 | SN16 | |