

PAR36 12V

Open Back Machined Fixture w/ Integral Transformer PM615obi | PM415obi | PM215obi | PM115obi

Catalog # _____

Type _____

Project _____

A machined aluminum track fixture for low voltage PAR36 lamps for 35 or 50 watts. For use with RSA Profile Series 60 Amp Busway, 20 Amp 1 or 2 Circuit Track or 20 Amp 2 Circuit / 2 Neutral Track.

Integral low voltage electronic transformer in aluminum housing.

Front loading lamp with bayonet action lens / accessory bezel. Optical accessories are captured in the bezel with a threaded retainer ring preventing accessory spill-out during relamping. Can accommodate up to three optical accessories.

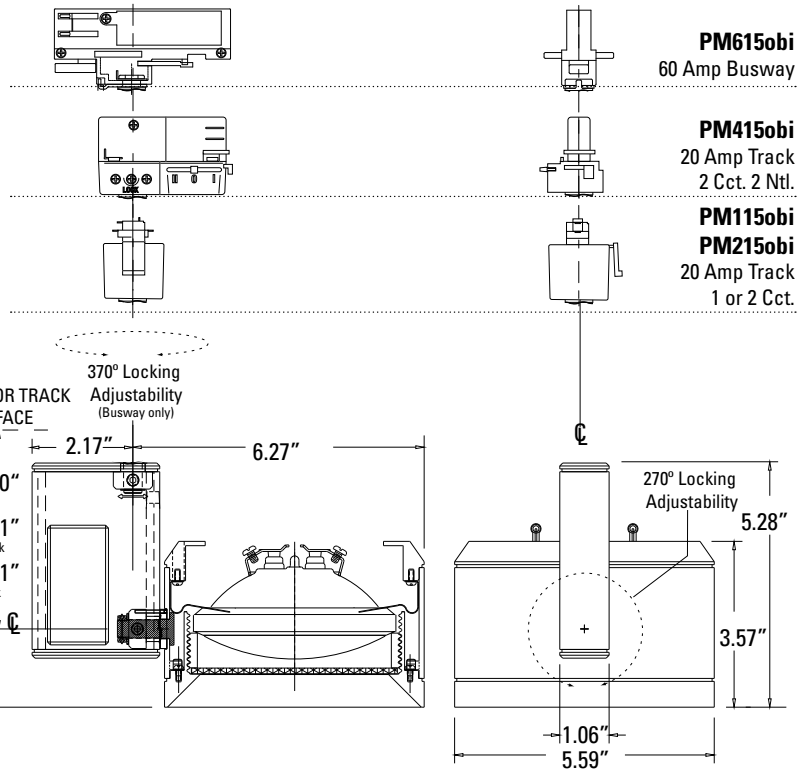
Auto extending / retracting lamp holder. Lamps extend for easy access and automatically retract to optimum position. This is extremely helpful when dealing with varying accessory combinations or differing manufacturer lamp dimensions.

Optical accessories include color filters, UV filters, screens, spread lenses, louvers, hex louvers, snoots. Consult RSA for details.

Locking on both the horizontal and vertical planes. 370° vertical rotation possible due to over-center locking mechanism (60 amp busway only). 270° horizontal locking adjustment.

UL and CUL listed

Available in White, Black, Natural Aluminum or custom finishes.



Open Back Machined Fixture w/ Integral Transformer	Lamp Wattage	Finish	Voltage
<input type="checkbox"/> PM615obi - PAR36 for 60 Amp Busway	<input type="checkbox"/> 35 35 Watt 12V PAR36	<input type="checkbox"/> WH White	<input type="checkbox"/> 120 120 Volts primary
<input type="checkbox"/> PM115obi - PAR36 for 20 Amp 1 Circuit Track	<input type="checkbox"/> 50 50 Watt 12V PAR36	<input type="checkbox"/> BK Black	<input type="checkbox"/> 277 277 Volts primary
<input type="checkbox"/> PM215obi - PAR36 for 20 Amp 2 Circuit Track		<input type="checkbox"/> AL Natural Alum.	
<input type="checkbox"/> PM415obi - PAR36 for 20 Amp 2 Circuit / 2 Neutral Track		<input type="checkbox"/> PT Custom Finish	

Ordering Example: **PM615obi-50-AL-120**



Lamp Performance Data

D = Distance to the horizontal or vertical surface.

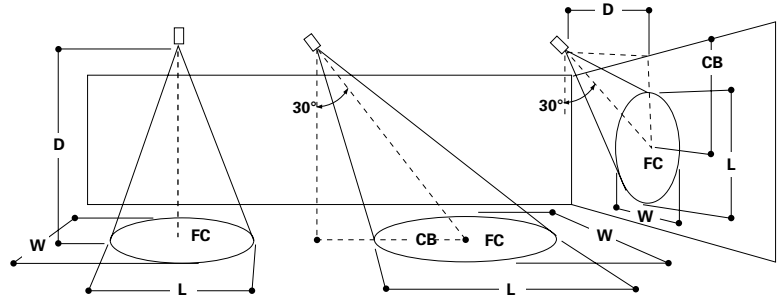
FC = Initial footcandles at the center of the beam.

L = Length of the beam where candlepower is reduced to 50% of center beam candlepower.

W = Width of the beam where candlepower is reduced to 50% of center beam candlepower.

CB = Distance to the center of the beam.

Lamp data given is typical and is based on bare lamp performance. Contact lamp manufacturers for availability and specific performance. Distance, length and width given in decimal feet.



		0° Aiming Angle Horizontal Footcandles				30° Aiming Angle Horizontal Footcandles					30° Aiming Angle Vertical Footcandles					45° Aiming Angle Vertical Footcandles					
		D	FC	L	W	D	FC	L	W	CB	D	FC	L	W	CB	D	FC	L	W	CB	
PAR36 12V Halogen Screw Terminal																					
	35 PAR36 /H /SP5	GEL	10	250	1.0	1.0	8	254	0.9	0.9	4.6	3	347	1.0	0.5	5.2	6	246	1.0	0.7	6.0
	Beam Spread = 5° x 5°		14	128	1.4	1.4	10	162	1.1	1.1	5.8	5	125	1.7	0.8	8.7	8	138	1.3	0.9	8.0
	CBCP = 25,000		18	77	1.9	1.9	12	113	1.4	1.3	6.9	7	64	2.4	1.1	12.1	10	88	1.6	1.0	10.0
	Rated Life = 4,000 Hrs.		22	52	2.3	2.3	14	83	1.6	1.5	8.1	9	39	3.0	1.5	15.6	12	61	1.9	1.4	12.0
	35 PAR36 /H /SP8	GEL	8	312	0.8	0.8	7	265	0.8	0.7	4.0	3	278	0.9	0.5	5.2	5	283	0.7	0.6	5.
	Beam Spread = 8° x 8°		12	139	1.2	1.2	10	130	1.1	1.0	5.8	4	156	1.2	0.7	6.9	7	144	1.0	0.7	7.0
	CBCP = 20,000		16	78	1.6	1.6	13	77	1.4	1.4	7.5	5	100	1.5	0.8	8.7	9	87	1.3	0.9	9.0
	Rated Life = 4,000 Hrs.		20	50	2.0	2.0	16	51	1.7	1.7	9.2	6	69	1.8	1.0	10.4	11	58	1.5	1.1	11.0
	35 PAR36 /H /FL30	GEL	2	225	0.9	1.3	2	165	1.1	1.4	1.2	1.0	204	0.8	1.0	1.7	1.5	190	1.0	1.2	1.5
	Beam Spread = 30° x 30°		3	100	1.4	2.0	3	73	1.7	2.2	1.7	1.5	91	1.3	1.5	2.6	2.0	107	1.4	1.7	2.0
	CBCP = 900		4	56	1.9	2.6	4	41	2.3	2.9	2.3	2.0	51	1.7	2.0	3.5	2.5	68	1.7	2.1	2.5
	Rated Life = 4,000 Hrs.		5	36	2.3	3.3	5	26	2.8	3.6	2.9	2.5	33	2.1	2.5	4.3	3.0	48	2.1	2.5	3.0
	50 PAR36 /H /SP5	GEL	10	350	1.0	1.0	9	281	0.9	1.0	5.2	4	273	1.1	0.7	6.9	7	253	0.9	0.9	7.0
	Beam Spread = 5° x 5°		15	156	1.5	1.5	13	135	1.4	1.4	7.5	6	122	1.6	1.1	10.4	9	153	1.2	1.1	9.0
	CBCP = 35,000		20	87	2.0	2.0	17	79.0	1.8	1.8	9.8	8	68	2.2	1.5	13.9	11	102	1.4	1.4	11.0
	Rated Life = 4,000 Hrs.		25	56	2.6	2.6	21	52.0	2.2	2.3	12.1	10	44	2.7	1.9	17.3	13	73	1.7	1.6	13.0
	50 PAR36 /H /SP8	GEL	10	300	1.0	1.1	8	304	0.9	0.9	4.6	4	234	1.4	0.8	6.9	6	295	1.0	0.8	6.0
	Beam Spread = 8° x 8°		15	133	1.6	1.6	12	135	1.4	1.4	6.9	5	150	1.7	1.1	8.7	8	166	1.3	1.1	8.0
	CBCP = 30,000		20	75	2.1	2.1	16	76	1.8	1.8	9.2	6	104	2.1	1.3	10.4	10	106	1.6	1.3	10.0
	Rated Life = 4,000 Hrs.		25	48	2.6	2.7	20	49	2.3	2.3	11.5	7	77	2.4	1.5	12.1	12	74	2.0	1.6	12.0
	50 PAR36 /H /FL30	GEL	2	325	0.9	1.3	2.0	224	1.2	1.4	1.2	1.0	262	1.0	1.0	1.7	1.5	248	1.1	1.2	1.5
	Beam Spread = 30° x 30°		3	144	1.4	1.9	3.0	99	1.8	2.1	1.7	1.5	117	1.5	1.5	2.6	2.0	140	1.5	1.6	2.0
	CBCP = 1,300		4	81	1.9	2.5	4.0	56	2.3	2.8	2.3	2.0	66	2.0	2.0	3.5	2.5	89	1.9	2.0	2.5
	Rated Life = 4,000 Hrs.		5	52	2.3	3.2	5.0	36	2.9	3.6	2.9	2.5	42	2.6	2.5	4.3	3.0	62	2.2	2.4	3.0
PAR36 12V Incandescent Screw Terminal																					
	50 PAR36 VN5P	GEL	8	297	1.3	1.3	8	223	1.5	1.4	4.6	4	297	2.1	1.3	6.9	6	264	1.7	1.3	6.0
	Beam Spread = 5° x 5°		12	132	1.7	1.7	11	118	1.9	1.7	6.4	6	132	2.8	1.7	10.4	9	117	2.3	1.7	9.0
	CBCP = 19,000		16	74	2.1	2.1	14	73	2.3	2.1	8.1	8	74	3.6	2.1	13.9	12	66	2.8	2.2	12.0
	Rated Life = 2,000 Hrs.		20	48	2.4	2.4	17	49	2.7	2.4	9.8	10	48	4.4	2.4	17.3	15	42	3.4	2.6	15.0
	50 PAR36 /NSP	GEL	6	306	0.7	0.8	6	198	0.9	0.9	3.5	2	344	0.9	0.6	3.5	4	243	0.9	0.8	4.0
	Beam Spread = 8° x 8°		8	172	1.0	1.1	8	112	1.2	1.3	4.6	3	153	1.3	0.9	5.2	5	156	1.1	1.0	5.
	CBCP = 11,000		10	110	1.2	1.2	10	71	1.5	1.6	5.8	4	86	1.7	1.1	6.9	6	108	1.3	1.2	6.0
	Rated Life = 2,000 Hrs.		12	76	1.4	1.4	12	50	1.8	1.9	6.9	5	55	2.2	1.4	8.7	7	79	1.6	1.4	7.0

Optivex UV Filter	Red Color Filter	Blue Color Filter	Amber Color Filter	Cosmetic Peach 2800K Filter	Milk White Lens	Diffusion Spread Lens	Linear Spread Lens
LN85	LN86	LN87	LN89	CP111	LN84	LN81	LN83
Prismatic Spread Lens	20% Reduction Screen	30% Reduction Screen	40% Reduction Screen	Hex Cell Louver	Cross Baffle	Snoot	
LN82	RS2036	RS3036	RS4036	LN80	CB111	SN36	