



MR11 12V

Open Back Machined Fixture w/ Integral Transformer PM611obi | PM411obi | PM211obi | PM111obi

Catalog # _____

Type _____

Project _____

A machined aluminum track fixture for low voltage MR11 lamps for 20 or 35 watts. For use with RSA Profile Series 60 Amp Busway, 20 Amp 1 or 2 Circuit Track or 20 Amp 2 Circuit / 2 Neutral Track.

Integral low voltage electronic transformer in aluminum housing.

Front loading lamp with bayonet action lens / accessory bezel. Optical accessories are captured in the bezel with a threaded retainer ring preventing accessory spill-out during relamping. Can accommodate up to three optical accessories.

Auto extending / retracting lamp holder. Lamps extend for easy access and automatically retract to optimum position. This is extremely helpful when dealing with varying accessory combinations or differing manufacturer lamp dimensions.

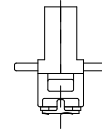
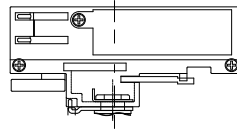
Optical accessories include color filters, UV filters, screens, spread lenses, louvers, hex louvers, snoots. Consult RSA for details.

Locking on both the horizontal and vertical planes. 370° vertical rotation possible due to over-center locking mechanism (60 amp busway only). 270° horizontal locking adjustment.

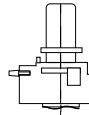
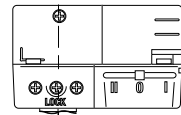
UL and CUL listed

Clear lens included.

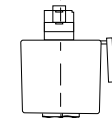
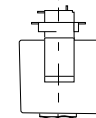
Available in White, Black, Natural Aluminum or custom finishes.



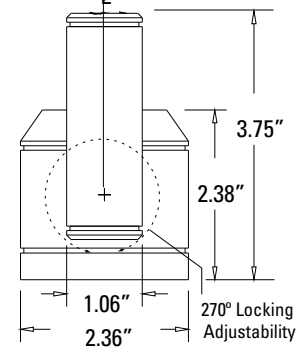
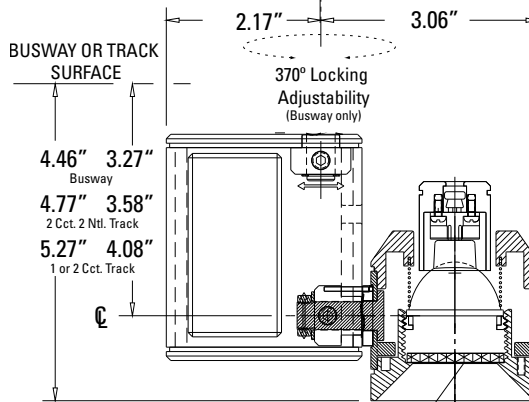
PM611obi
60 Amp Busway



PM411obi
20 Amp Track
2 Cct. 2 Ntl.



PM111obi
PM211obi
20 Amp Track
1 or 2 Cct.



Open Back Machined Fixture w/ Integral Transformer

- PM611obi** - MR11 for 60 Amp Busway
- PM111obi** - MR11 for 20 Amp 1 Circuit Track
- PM211obi** - MR11 for 20 Amp 2 Circuit Track
- PM411obi** - MR11 for 20 Amp 2 Circuit / 2 Neutral Track

Lamp Wattage

- 20** 20 Watt 12V MR11
- 35** 35 Watt 12V MR11

Finish

- WH** White
- BK** Black
- AL** Natural Aluminum
- PT** Custom Finish

Voltage

- 120** 120 Volts primary
- 277** 277 Volts primary

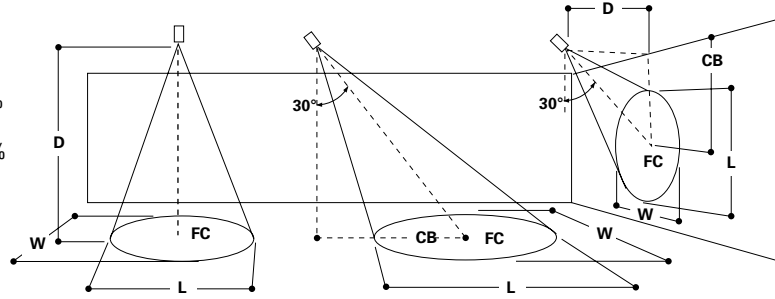
Ordering Example: **PM611obi-35-AL-120**



Lamp Performance Data

- D = Distance to the horizontal or vertical surface.
- FC = Initial footcandles at the center of the beam.
- L = Length of the beam where candlepower is reduced to 50% of center beam candlepower.
- W = Width of the beam where candlepower is reduced to 50% of center beam candlepower.
- CB = Distance to the center of the beam.

Lamp data given is typical and is based on bare lamp performance. Contact lamp manufacturers for availability and specific performance. Distance, length and width given in decimal feet.



		0° Aiming Angle Horizontal Footcandles				30° Aiming Angle Horizontal Footcandles				30° Aiming Angle Vertical Footcandles					45° Aiming Angle Vertical Footcandles					
		D	FC	L	W	D	FC	L	W	CB	D	FC	L	W	CB	D	FC	L	W	CB
MR11 12V Halogen 2-Pin G4																				
	Q20 MR11 /SP15 (FTC) GEL	3	196	0.9	0.9	3	127	1.2	1.1	1.7	1	271	0.9	0.6	1.7	2	169	1.1	0.9	2.
	Beam Spread = 15° x 15°	4	110	1.3	1.3	4	71	1.7	1.5	2.3	2	68	1.9	1.1	3.5	3	75	1.7	1.3	3.0
	CBCP = 1,760	5	70	1.6	1.6	5	46	2.1	1.8	2.9	3	30	2.8	1.7	5.2	4	42	2.2	1.7	4.0
	Rated Life = 3,500 Hrs.	6	49	1.9	1.9	6	32	2.5	2.2	3.5	4	17	3.7	2.3	6.9	5	27	2.8	2.1	5.0
	Q20 MR11 /NFL30 (FTD) GEL	2	291	1.0	1.0	2	232	1.1	1.0	1.2	1.0	288	0.6	0.7	1.7	1.5	265	0.9	0.9	1.5
	Beam Spread = 30° x 30°	3	129	1.5	1.5	3	103	1.7	1.5	1.7	2.0	72	1.3	1.4	3.5	2.0	149	1.3	1.2	2.0
	CBCP = 600	4	73	2.0	2.0	4	58	2.3	2.0	2.3	3.0	32	1.9	2.1	5.2	2.5	95	1.6	1.5	2.5
	Rated Life = 3,500 Hrs.	5	46	2.5	2.5	5	37	2.8	2.6	2.9	4.0	18	2.5	2.8	6.9	3.0	66	1.9	1.7	3.
	Q35 MR11 /SP20 (FTF) GEL	3	333	1.0	1.0	3	228	1.3	1.1	1.7	1.5	228	1.4	0.9	2.6	2	303	1.2	0.9	2.0
	Beam Spread = 20° x 20°	4	188	1.4	1.4	4	128	1.8	1.5	2.3	2.0	128	1.9	1.2	3.5	3	135	1.8	1.4	3.0
	CBCP = 3000	5	120	1.7	1.7	5	82	2.2	1.9	2.9	2.5	82	2.3	1.5	4.3	4	76	2.4	1.8	4.0
	Rated Life = 3,500 Hrs.	6	83	2.1	2.1	6	57	2.3	2.3	3.5	3.0	57	2.8	1.8	5.2	5	48	3.0	2.3	5.0
	Q35 MR11 /NFL30 (FTH) GEL	3	179	1.5	1.5	3	145	1.7	1.6	1.7	1.5	180	1.0	1.1	2.6	2.0	212	1.2	1.4	2.0
	Beam Spread = 30° x 30°	4	101	2.0	2.0	4	82	2.3	2.1	2.3	2.0	101	1.3	1.4	3.5	2.5	135	1.5	1.8	2.
	CBCP = 1,300	5	64	2.5	2.5	5	52	2.9	2.6	2.9	2.5	65	1.6	1.8	4.3	3.0	94	1.8	2.1	3.0
	Rated Life = 3,500 Hrs.	6	45	3.0	3.0	6	36	3.5	3.2	3.5	3.0	45	2.0	2.1	5.2	3.5	69	2.1	2.5	3.5

Optivex UV Filter	Red Color Filter	Blue Color Filter	Amber Color Filter	Cosmetic Peach 2800K Filter	Milk White Lens	Diffusion Spread Lens	Linear Spread Lens
LN15	LN16	LN17	LN19	CP11	LN14	LN10	LN13
Prismatic Spread Lens	20% Reduction Screen	30% Reduction Screen	40% Reduction Screen	Hex Cell Louver	Cross Baffle	Snoot	
LN12	RS2011	RS3011	RS4011	LN10	CB11	SN11	