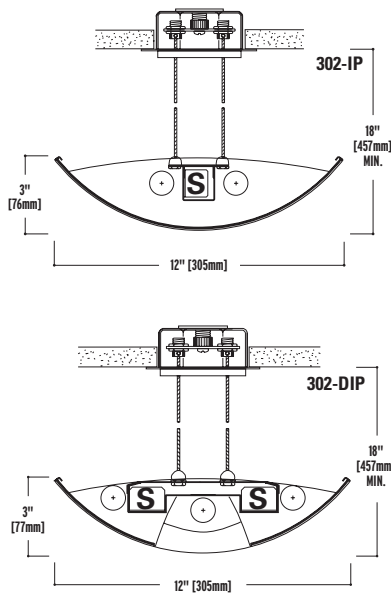


## PETITE NUAGE 302-IP 302-DIP

INDIRECT-DIRECT (DIP)  
SEMI-INDIRECT (IP)

- T5 and T8 lamping options.
- Die formed steel fully perforated and illuminated housing.
- Dual aircraft cable hangers for superior leveling.
- Nominal 3', 4', 6' or 8' long fully illuminated sections.
- Optional slotted perforated pattern.
- Precision die cast end caps.
- Articulated joiners.



Ordering Information:  
Sample number: 302-IP-2T8-ST60-1EB-DU

**Series**  
302=Nuage

**Light Output**  
IP=Indirect Pendant  
DIP=Direct-Indirect (Pendant with central louver)

**Number of Lamps** (per cross section)  
2=2 Lamps (IP)  
3=3 Lamps (DIP)

**Lamp Type** (not included)  
T8      T5      T5HO

**Pendant Type**  
SC=Single Cable      DC=Dual Cable  
ST=Single Stem<sup>2</sup>      DS=Dual Stem (DIP)

**Run Length**  
Overall Nominal Run Length\_\_ft.  
(Any combination of 8', 6', 4' and 3' sections)

**Voltage**<sup>1</sup>  
1=120V    2=277V    3=347V      U=Universal

**Ballast**  
EB=Electronic Ballast (Standard)      DB=Dimming Ballast  
\* Slim line ballast only (small case)

**Switching**  
SI=Single Switching      DU=Dual Switching

**Perforation**  
RP=Round    BP=None    SP=Slotted

**Emergency**  
EM=Emergency Pack (Consult Factory)

**Fusing**  
GLR      GMF

<sup>1</sup> Due to various constraints, some options may not be combined with others.  
<sup>2</sup> Available with 7° or earthquake 45° swivel canopy assembly.

**Construction:** 20-gauge steel construction with staggered round hole pattern backed by white acrylic diffuser. Nominal 3', 4', 6' or 8' illuminated sections.

**End Caps:** Set back, die-formed aluminum.

**Shielding:** Radial contour white baffle.

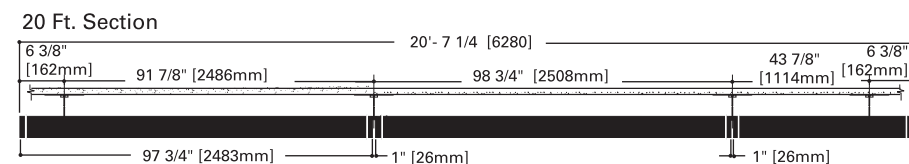
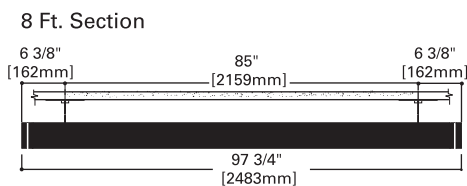
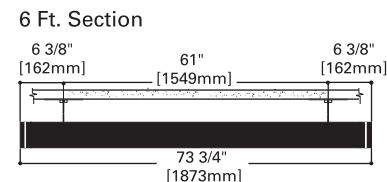
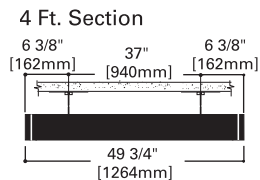
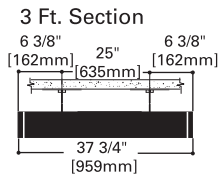
**Electrical:** 120, 277, 347 or Universal Voltage electronic ballast. Luminaires and electrical components certified to UL and CUL standards.

**Finish:** Durable, low gloss, white, powder coated acrylic finish.

**Mounting:** Dual cable, 3/32" (standard); single cable or single stem; 302-DIP also available with dual stem. Canopy: 5" diameter cover (standard).

**S** = Slim Line Ballast only.

### ROW CONFIGURATION



NOTES: For complete product data, refer to the Neo-Ray Specification Binder. Specifications and dimensions subject to change without notice. Products may be modified for use in international markets. Please contact your Cooper Lighting Sales Representative for availability and ordering information.