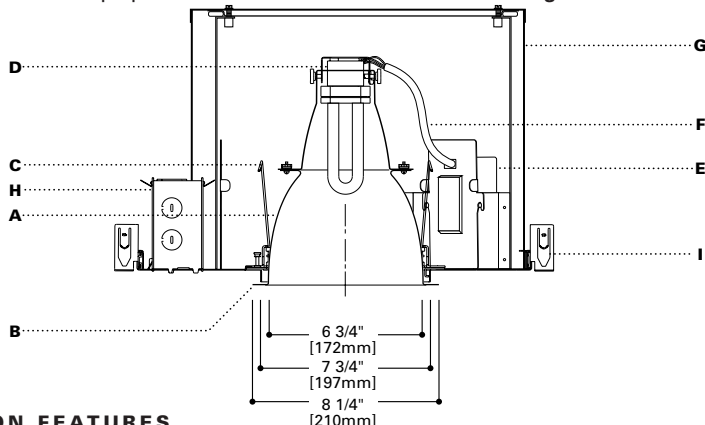


DESCRIPTION

Specification grade 42 Watt triple tube compact fluorescent fixture rated for direct contact with insulation. The 50° cutoff to lamp and lamp image provides a glare free, smooth, medium beam distribution. Triple tube lamps provide excellent

color, long life, and low radiant heat. Unit can be relamped from above. **Lamp module and optical element can be changed after installation to provide a variety of lamp sources and distributions. e.g. into a PAR36 adjustable**



SPECIFICATION FEATURES

A...Reflector

.040 thick aluminum spun parabolic upper and lower reflector. Upper reflector is specular clear, lower reflector available in iridescent free Clear, Gold, Haze, Warm Haze Alzak®, or painted gloss white finish. Special cone colors listed below.

B...Flange

Self flange reflector or die-cast flange with either matte white or clear coat finish. Die-cast flanges are easily removed for field painting. Elements are keyed for proper insertion.

C...Attachment

Positive torsion springs pull flange tight to ceiling. Mechanical light trap eliminates spill light at edge of flange or reflector. The two reflectors are keyed for top relamping.

D...Socket

4 pin G24q4 base for 42W PLT, TBX and TTT lamps (G24q3 for 32W lamps). Fatigue-free stainless steel spring ensures positive lamp retention. Fixed socket height ensures consistent lamp position.

E...Electronic Ballast

Thermally protected, current controlled rapid start ballast produces full light output and rated lamp life. Provides flicker-free and noise-free operation and starting with 120 or 277 volt input. Meets stringent Class B requirements, FCC part 18, for non-commercial applications.

F...Electrical

Keyed quick connect provides easy lamp module installation.

G...Frame/Housing

Hot dipped galvanized 20 gauge steel frame with built in 1/2 inch plaster lip. Gunsights allow for consistent alignment. Aluminum .032 thick housing allows for heat dissipation and reduces weight. **Top is removable for above ceiling access.**

H...Junction Box

18 cubic inches, listed for 4#12 AWG or 6#14 AWG 90° C additional feed through conductors, has six 1/2 inch prouts.

I...Bar Hangers

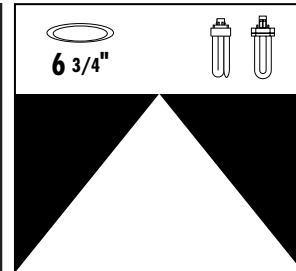
No Flex® bar hangers with positive locking, for use with wood, engineered wood and steel frame joists spaced up to 24" O.C. ship with platform. For use in T-bar ceilings order accessory MBCLP clips. Nailless barb and locator lip provide consistent installation height.

Codes

Thermally protected, IP labeled, for use in direct contact with insulation. Meets Air tight requirements, 1995 CABO Model Energy Code.

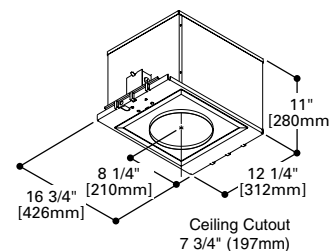
Labels

UL and cUL listed, standard damp label, IBEW union made.



**P7
M42T
M32T
E7T**

**42 W Triple
32 W Triple**
Compact Fluorescent
7" DOWNLIGHT



ENERGY DATA

M42T

Input Power: 120V = 48W
Input Current (Max.):
120V = .45A
Power Factor: 120V = > .99
T.H.D.: 120V = < 10%

M32T

Input Power: 120V = 36W
Input Current (Max.):
120V = .306
Power Factor: 120V = > .98
T.H.D.: 120V = < 10%

M32T Lutron

Input Power: 120V = 36W
Input Current (Max.):
120V = .33A
Power Factor: 120V = > .95
T.H.D.: 120V = < 20%

ORDERING INFORMATION

Complete unit consists of a platform, module and element

Platform	Lamp Module	Optical Element	Finish	Flange	Accessories
P7					
P7=7" Airtight IC rated	M42T=42W Compact Fluorescent Ballast M32T=32/26W Compact Fluorescent Ballast M32TLutron=32W Tu Wire Dimmable Ballast (32W lamp only)	E7T= 7" Triple Tube Downlight Reflector	Standard C=Clear H=Haze G=Gold WMH=Warm Haze W=Gloss White B=Black MW=Matte White Custom K=Cognac KH=Cognac Haze	Custom Cont. CC=Chocolate CCH=Chocolate Haze BU=Blush BUH=Blush Haze GP=Graphite GPH=Graphite Haze PN=Paint PNH=Pine Haze SK=Sky SKH=Sky Haze	Blank=White Die-cast SF=Self Flange RAW=Natural Die-cast SWF=Self Flange Painted White MBCLP=40 Push On T Bar Clips (for 10 Units) PLE7=Plaster Lip Extension for Max 2" Thick Ceiling

For Emergency Option order P732TEMER or P742 TEMER and E7T— see catalog for ordering information. For additional options please consult factory.

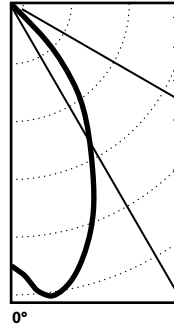
PHOTOMETRICS

P7-M42T-E7TC

Test No. H35091
Lamp: 42W PLT
Lumens: 3200
Cutoff: 50°
Spacing: 1.0
Efficiency: 44.8%
Unit LPW: 27.0

Candelas	
Vertical Angle	CD
90	0
85	0
75	0
65	0
55	1
45	142
35	594
25	947
15	1313
5	1397
0	1279

Distribution



Luminance

Degree	cd/m ²
85°	0
75°	0
65°	0
55°	76
45°	8768

Cone of Light

Distance to Illuminated Plane	Initial Nadir Footcandles	Beam Diameter
4'6"	63	4'6"
5'6"	42	5'6"
6'6"	30	6'6"
8'0"	20	8'0"
10'0"	13	10'0"
12'0"	9	12'0"

Zonal Lumen Summary

Zone	Lumens	%Lamp	%Luminaire
0-30	933	29.2	65.1
0-40	1299	40.6	90.6
0-60	1433	44.8	100.0
0-90	1433	44.8	100.0
90-180	0	0.0	0.0
0-180	1433	44.8	100.0

Coefficient of Utilization

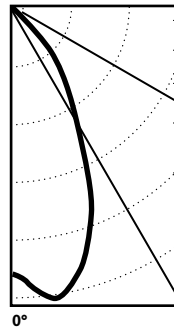
Ceiling Reflectance	80%				70%		50%		30%		0%
	70	50	30	10	50	10	50	10	50	10	0
Room Cavity Ratio											
0	53	53	53	53	52	52	50	50	48	48	45
1	50	48	47	45	47	44	45	43	43	42	40
2	47	45	43	41	44	40	42	39	41	39	37
3	45	42	39	37	41	37	40	36	39	36	35
4	43	39	36	34	38	34	37	34	37	33	32
5	40	36	34	32	36	31	35	31	34	31	30
6	38	34	31	29	34	29	33	29	32	29	28
7	36	32	29	27	32	27	31	27	31	27	26
8	34	30	27	25	30	25	29	25	29	25	24
9	33	28	25	24	28	23	27	23	27	23	23
10	31	26	24	22	26	22	26	22	26	22	21

P7-M32T-E7TC

Test No. H35094
Lamp: 32W PLT
Lumens: 2400
Cutoff: 50°
Spacing: 0.9
Efficiency: 43.4%
Unit LPW: 28.9

Candelas	
Vertical Angle	CD
90	0
85	0
75	0
65	0
55	1
45	75
35	371
25	701
15	1083
5	1159
0	1083

Distribution



Luminance

Degree	cd/m ²
85°	0
75°	0
65°	0
55°	76
45°	4631

Cone of Light

Distance to Illuminated Plane	Initial Nadir Footcandles	Beam Diameter
4'6"	54	4'0"
5'6"	36	5'0"
6'6"	26	6'0"
8'0"	17	7'6"
10'0"	11	9'0"
12'0"	8	11'0"

Zonal Lumen Summary

Zone	Lumens	%Lamp	%Luminaire
0-30	733	30.5	70.4
0-40	964	40.2	92.6
0-60	1041	43.4	100.0
0-90	1041	43.4	100.0
90-180	0	0.0	0.0
0-180	1041	43.4	100.0

Coefficient of Utilization

Ceiling Reflectance	80%				70%		50%		30%		0%
	70	50	30	10	50	10	50	10	50	10	0
Room Cavity Ratio											
0	52	52	52	52	50	50	48	48	46	46	43
1	48	46	45	43	45	43	44	41	42	40	38
2	46	43	41	39	42	39	41	38	40	37	36
3	44	40	38	36	40	36	39	35	38	35	33
4	41	38	35	33	37	33	36	33	36	32	31
5	39	35	33	31	35	31	34	30	34	30	29
6	37	33	31	29	33	29	32	28	32	28	27
7	35	31	29	27	31	27	30	26	30	26	26
8	34	29	27	25	29	25	29	25	28	25	24
9	32	28	25	23	27	23	27	23	27	23	22
10	30	26	24	22	26	22	26	22	25	22	21

Notes and Formulas:

Luminance: To convert cd/m² to footlamberts, multiply by 0.2919

Cone of Light:

- Beam diameter is to 50% of maximum footcandles, rounded to the nearest half-foot.
- Footcandle values are initial. Apply appropriate light loss factors where necessary. See page 64-65 of catalog.

CU Notes/Formulas:

- maintained illuminance = lamp lumens x CU x light loss factors / room area
- total number of luminaires = total room area x maintained illuminance / lamp lumens x CU x light loss factors
- CU data based on 20% effective floor cavity reflectance.

Note: Specifications and Dimensions subject to change without notice.

Visit our web site at www.cooperlighting.com

