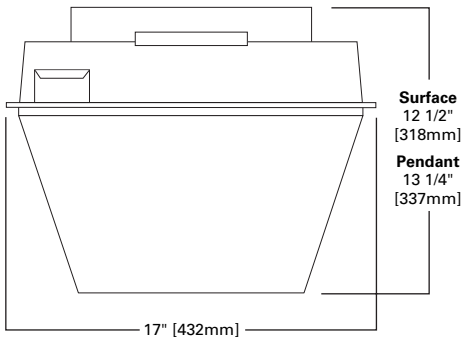
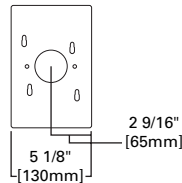
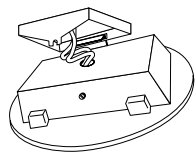


## DIMENSIONS



## MOUNTING



Once in place, the EZ123 readily accepts the mating half of the hinge and the fixture is easily attached.

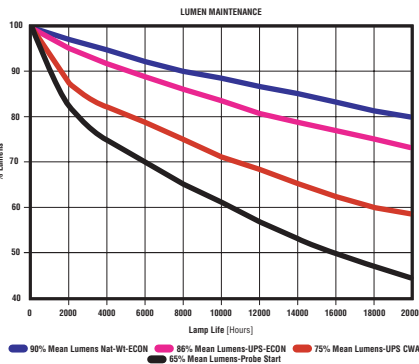
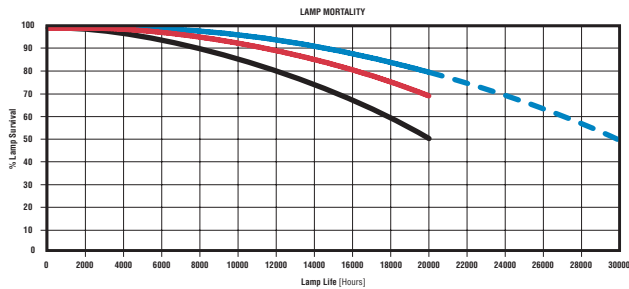
P=Mounting Bracket for Surface Mounting or Mounting to 4" J-Box.

## ORDERING INFORMATION

SAMPLE NUMBER: HPBE-5A-100H-MT-LL

<b>Lamp Type</b> HP=High Pressure Sodium <sup>1</sup> MH=Metal Halide MP=Pulse Start MH (CWA) <sup>2</sup> MD=Pulse Start Metal Halide (Electronic) <sup>3,4</sup>	<b>Series</b> BE=Vertimark II	<b>Lens Type</b> 2A=Type II 5A=Type V Polycarbonate <sup>5</sup> 2P=Type II Polycarbonate <sup>5</sup> 5P=Type V Polycarbonate <sup>5</sup>	<b>Lamp Wattage</b> 100=100W 150=150W 175=175W 200=200W 250=250W	<b>Power Factor</b> H=HPF _=NPF <sup>6</sup>	<b>Voltage</b> <sup>7</sup> 120V 208V <sup>4</sup> 240V <sup>4</sup> 277V <sup>4</sup> 347V <sup>4</sup> 480V <sup>8</sup> MT=Multi-Tap <sup>9</sup> TT=Triple-Tap <sup>10</sup> E=Electronic <sup>4</sup>	<b>LL=Lamp Included</b>	<b>Options &amp; Accessories</b> <sup>11</sup> (See Pages 541-545)
--	----------------------------------	---	---	--	---	-------------------------	---

## LAMP MORTALITY AND LUMEN MAINTENANCE COMPARISONS



NOTE: Lamp Mortality and Lumen Maintenance Charts Courtesy of VENTURE®

Series	Lamp Wattage	Ambient Environment	Supply Wire (Min.)
Vertimark II	100-250W	40°C (100-250W) 40°C (250W ECON)*	90°C

NOTES: \* Electronic Pulse Start Metal Halide. (200-277V). 120V 25°C.

NOTES: 1 150W is maximum wattage available in HPS. 2 Pulse Start Metal Halide available on 100, 150, 175, 200, and 250W only. 3 250W only. 4 MD available in 208, 240 or 277V or with "E" option which will operate voltages from 200-277V 50/60 Hz. 5 Not recommended for use with Metal Halide lamps due to rapid yellowing typical of polycarbonate material. 6 For 120V NPF Reactor ballast, drop "H" after wattage in catalog number. 7 Products also available in non-US voltages and 50Hz for international markets. Consult factory for availability and ordering information. 8 480V not available with 200 or 250W Pulse Start Metal Halide. 9 Multi-Tap ballast is 120/208/240/277V wired 277V. 10 Triple-Tap ballast is 120/277/347V wired 347V. 11 Add as suffix in the order shown. 12 Specifications and dimensions subject to change without notice.

## DESCRIPTION

The Vertimark II delivers horizontal and vertical footcandles to evenly illuminate low mounting areas such as parking garages or storage facilities areas.

The combination die-cast reflector/ ballast housing makes Vertimark II economical. Modular assembly makes installation easy and quality construction ensures years of consistent performance. U.L. listed and labeled for damp location. CSA Certified. Wet location optional.

Powered by  
**ECON**  
technology



## BE VERTIMARK II

100 - 250 W

High Pressure Sodium  
Pulse Start Metal Halide  
Metal Halide

LOW-BAY  
INDUSTRIAL LUMINAIRE

- Standard quick mounting plate for 3/4" IPS conduit frees both hands to complete wiring
- Die-cast aluminum housing has durable white polyester powder coat finish
- Hinged refractor permits relamping without removal of refractor
- Acrylic prismatic refractor controls light for high vertical and horizontal footcandles
- Removable ballast compartment cover provides easy internal access
- Optional "P" mounting bracket fits a standard 4" J-Box or outlet box for surface mounting
- Approximate net weight: 7 lbs. (8 kgs.)