



## PAR20 120V

### Open Back Machined Fixture

**PM622ob | PM422ob | PM222ob | PM122ob**

Catalog # \_\_\_\_\_

Type \_\_\_\_\_

Project \_\_\_\_\_

A machined aluminum track fixture for line voltage PAR20 lamps up to 50 watts. For use with RSA Profile Series 60 Amp Busway, 20 Amp 1 or 2 Circuit Track or 20 Amp 2 Circuit / 2 Neutral Track.

Front loading lamp with bayonet action lens / accessory bezel. Optical accessories are captured in the bezel with a threaded retainer ring preventing accessory spill-out during relamping. Can accommodate up to three optical accessories.

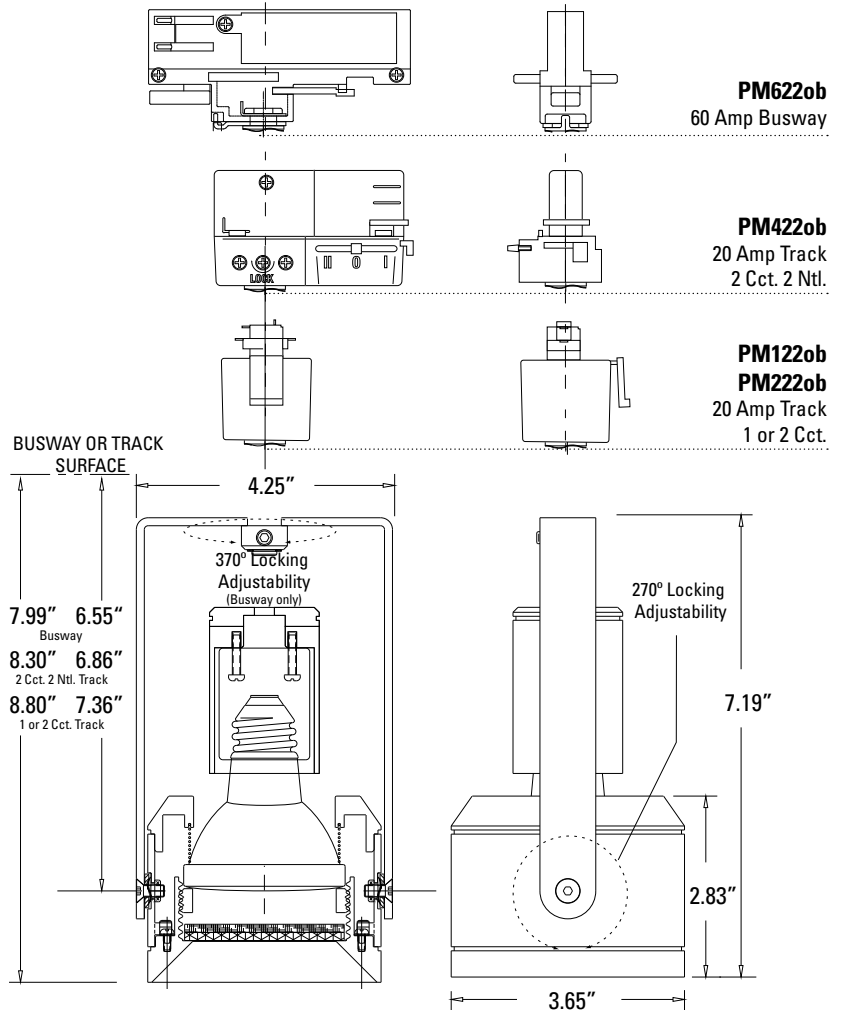
Auto extending / retracting lamp holder. Lamps extend for easy access and automatically retract to optimum position. This is extremely helpful when dealing with varying accessory combinations or differing manufacturer lamp dimensions.

Optical accessories include color filters, UV filters, screens, spread lenses, louvers, hex louvers, snoots. Consult RSA for details.

Locking on both the horizontal and vertical planes. 370° vertical rotation possible due to over-center locking mechanism (60 amp busway only). 270° horizontal locking adjustment.

UL and CUL listed

Available in White, Black, Natural Aluminum or custom finishes.



Open Back Machined Fixture	Lamp Wattage	Finish
<input type="checkbox"/> <b>PM622ob</b> - PAR20 for 60 Amp Busway	<input type="checkbox"/> <b>50</b> 50 Watt Max. PAR20	<input type="checkbox"/> <b>WH</b> White
<input type="checkbox"/> <b>PM122ob</b> - PAR20 for 20 Amp 1 Circuit Track		<input type="checkbox"/> <b>BK</b> Black
<input type="checkbox"/> <b>PM222ob</b> - PAR20 for 20 Amp 2 Circuit Track		<input type="checkbox"/> <b>AL</b> Natural Aluminum
<input type="checkbox"/> <b>PM422ob</b> - PAR20 for 20 Amp 2 Circuit / 2 Neutral Track		<input type="checkbox"/> <b>PT</b> Custom Finish

Ordering Example: **PM622ob-50-AL**



### Lamp Performance Data

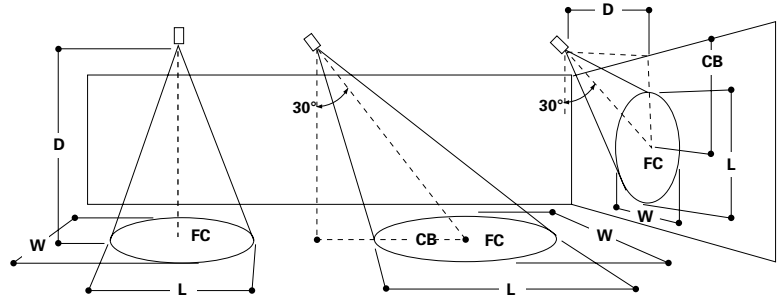
D = Distance to the horizontal or vertical surface.

FC = Initial footcandles at the center of the beam.

L = Length of the beam where candlepower is reduced to 50% of center beam candlepower.

W = Width of the beam where candlepower is reduced to 50% of center beam candlepower.

CB = Distance to the center of the beam.



Lamp data given is typical and is based on bare lamp performance. Contact lamp manufacturers for availability and specific performance. Distance, length and width given in decimal feet.

		0° Aiming Angle Horizontal Footcandles				30° Aiming Angle Horizontal Footcandles					30° Aiming Angle Vertical Footcandles					45° Aiming Angle Vertical Footcandles					
		D	FC	L	W	D	FC	L	W	CB	D	FC	L	W	CB	D	FC	L	W	CB	
<b>PAR20 Halogen E26 Medium Base</b>																					
	35 PAR20 /HAL /NSP10	OSI	4	188	0.9	0.9	3	250	0.9	0.8	1.7	2	188	1.6	0.9	3.5	3	167	1.3	1.0	3.0
	Beam Spread = 10° x 10°		5	120	1.1	1.1	4	141	1.1	1.0	2.3	3	83	2.4	1.3	5.2	4	94	1.6	1.2	4.
	CBCP = 3,000		6	83	1.3	1.3	5	90	1.4	1.2	2.9	4	47	3.1	1.6	6.9	5	60	2.0	1.4	5.0
	Rated Life = 2,500 Hrs.		7	61	1.4	1.4	6	63	1.6	1.4	3.5	5	30	3.8	2.0	8.7	6	42	2.3	1.7	6.0
	35 PAR20 /HAL /NFL30	OSI	2	200	1.3	1.3	2	150	1.7	1.4	1.2	1	200	2.9	1.3	1.7	2	100	2.5	1.7	2.0
	Beam Spread = 30° x 30°		3	89	1.8	1.8	3	67	2.4	2.1	1.7	2	50	5.7	2.4	3.5	3	44	3.7	2.5	3.0
	CBCP = 800		4	50	2.4	2.4	4	38	3.1	2.7	2.3	3	22	8.4	3.4	5.2	4	25	4.8	3.2	4.0
	Rated Life = 2,500 Hrs.		5	32	2.9	2.9	5	24	3.9	3.3	2.9	4	13	11.1	4.5	6.9	5	16	6.0	4.0	5.0
	35 PAR20 /HAL /WFL40	OSI	2	125	1.7	1.7	2	94	2.2	1.9	1.2	1	125	5.0	1.7	1.7	1	250	1.9	1.2	1.0
	Beam Spread = 40° x 40°		3	56	2.4	2.4	3	42	3.3	2.7	1.7	2	31	9.9	3.1	3.5	2	63	3.6	2.3	2.0
	CBCP = 500		4	31	3.1	3.1	4	23	4.3	3.6	2.3	3	14	14.7	4.6	5.2	3	28	5.2	3.3	3.0
	Rated Life = 2,500 Hrs.		5	20	3.8	3.8	5	15	5.3	4.4	2.9	4	8	19.5	6.0	6.9	4	16	6.9	4.3	4.0
	50 PAR20 /HAL /NSP10	OSI	4	288	0.9	0.9	4	216	1.1	1.0	2.3	2	288	1.6	0.9	3.5	3	256	1.3	1.0	3.
	Beam Spread = 10° x 10°		5	184	1.1	1.1	5	138	1.4	1.2	2.9	3	128	2.4	1.3	5.2	4	144	1.6	1.2	4.0
	CBCP = 4,600		6	128	1.3	1.3	6	96	1.6	1.4	3.5	4	72	3.1	1.6	6.9	5	92	2.0	1.4	5.0
	Rated Life = 2,500 Hrs.		7	94	1.4	1.4	7	70	1.8	1.6	4.0	5	46	3.8	2.0	8.7	6	64	2.3	1.7	6.0
	50 PAR20 /HAL /NFL30	OSI	2	300	1.3	1.3	2	225	1.7	1.4	1.2	1	300	2.9	1.3	1.7	2	150	2.5	1.7	2.0
	Beam Spread = 30° x 30°		3	133	1.8	1.8	3	100	2.4	2.1	1.7	2	75	5.7	2.4	3.5	3	67	3.7	2.5	3.0
	CBCP = 1,200		4	75	2.4	2.4	4	56	3.1	2.7	2.3	3	33	8.4	3.4	5.2	4	38	4.8	3.2	4.0
	Rated Life = 2,500 Hrs.		5	48	2.9	2.9	5	36	3.9	3.3	2.9	4	19	11.1	4.5	6.9	5	24	6.0	4.0	5.
	50 PAR20 /HAL /WFL40	OSI	2	138	1.7	1.7	2	103	2.2	1.9	1.2	1	138	5.0	1.7	1.7	1	275	1.9	1.2	1.0
	Beam Spread = 40° x 40°		3	61	2.4	2.4	3	46	3.3	2.7	1.7	2	34	9.9	3.1	3.5	2	69	3.6	2.3	2.0
	CBCP = 550		4	34	3.1	3.1	4	26	4.3	3.6	2.3	3	15	14.7	4.6	5.2	3	31	5.2	3.3	3.0
	Rated Life = 2,500 Hrs.		5	22	3.8	3.8	5	17	5.3	4.4	2.9	4	9	19.5	6.0	6.9	4	17	6.9	4.3	4.

Optivex UV Filter	Red Color Filter	Blue Color Filter	Amber Color Filter	Cosmetic Peach 2800K Filter	Milk White Lens	Diffusion Spread Lens	Linear Spread Lens
LN45	LN46	LN47	LN49	CP20	LN44	LN41	LN43
Prismatic Spread Lens	20% Reduction Screen	30% Reduction Screen	40% Reduction Screen	Hex Cell Louver	Cross Baffle	Snoot	
LN42	RS2020	RS3020	RS4020	LN40	CB20	SN20	