

NEO-RAY™



NUAGE 301-IP 301-IP/DL

SEMI INDIRECT (IP)
INDIRECT-DIRECT (IP/DL)

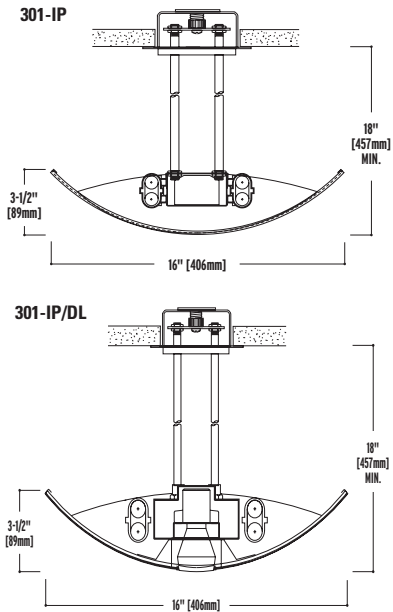
- Die formed steel fully perforated and illuminated housing.
- Dual aircraft cable or dual hangers for superior leveling.
- Nominal 4' long fully illuminated sections.
- Optional slotted perforated pattern.
- Precision die cast end caps.
- Articulated joiners.

302-IP features

- 1 luminaire can illuminate up to 120 sq. feet adequately.
- IIDA APEX design award 1996.

302-IP/DL features

- Integrated halogen par 16 and 20 down lights.
- Discrete indirect and direct lighting by dual switching.



Construction:

301-IP: Inner housing: 20-gauge cold rolled steel. Outer housing: 20-gauge perforated cold rolled steel with staggered round hole perforated pattern, backed by a white acrylic diffuser. Nominal 4', illuminated sections. runs.

301-IP/DL: Inner housing: 20-gauge cold rolled steel. Outer housing: 20-gauge perforated cold rolled steel. Nominal 4' illuminated sections. continuous runs.

End Caps: Set back, die-formed aluminum.

Louver (701DI only): A continuous semi-specular aluminum, 1-1/8" high, 46 cell parabolic. Meets RP-1 for downlight requirements.

Reflectors: Die-formed, highly specular aluminum.

Electrical:

301-IP: 120, 277, 347 or Universal Voltage electronic ballast. Luminaires and electrical components certified to UL and CUL standards.

301-IP/DL: 120 Volt, electronic ballast, 2 per 4' section. (2)45 or 60 watt PAR16 or 50 watt PAR20 halogen lamps per 4' section. Luminaires and electrical components certified to UL and CUL standards.

Finish: Durable, low gloss, white, powder coated acrylic finish.

Mounting: Dual stem (standard); dual cable; single stem; single cable. Canopy: 5" diameter cover (standard).

ORDERING INFORMATION:

Sample number: 301-IP-2BX40W-SC48-2EB-DU-RP

Series

301=Nuage

Light Output

IP=Indirect Pendant

DL=Downlight (DL)

Downlight Lamp Type (not included) (DL)

P16=Par16 P20=Par20

Number of Lamps (per cross section) (not included)

2=2 Lamps

Lamp Type (not included)

BX40W BX50W

Pendant Type

ST=Single Stem²

DC=Dual Cable

SC=Single Cable

DS=Dual Stem

Run Length

Overall Nominal Run Length__ft.

(4' sections only)

Voltage¹

1=120V 2=277V 3=347V U=Universal

Ballast

EB=Electronic Ballast (Standard)

DB=Dimming Ballast

Switching

SI=Single Switching

DU=Dual Switching

Perforation

RP=Round (Standard)

BP=None

SP=Slotted

Emergency

EM=Emergency Pack (Consult Factory)

Fusing

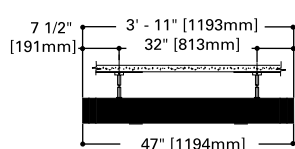
GLR GMF

¹ Due to various constraints, some options may not be combined with others.

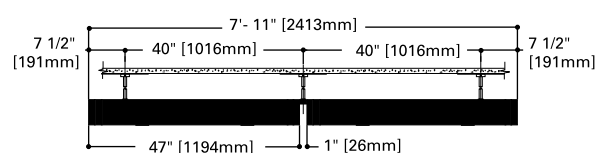
² Available with 7" or earthquake 45° swivel canopy assembly.

ROW CONFIGURATION

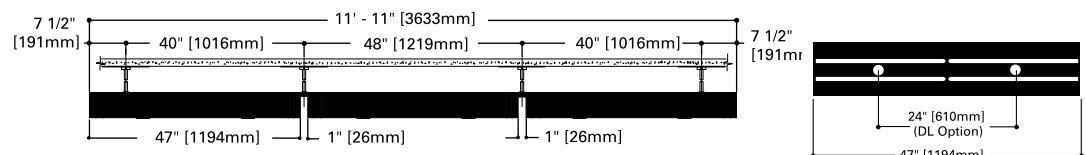
4 FT. Section



8 FT. Section



12 FT. Section



NOTES: For complete product data, refer to the Neo-Ray Specification Binder. Specifications and dimensions subject to change without notice. Products may be modified for use in international markets. Please contact your Cooper Lighting Sales Representative for availability and ordering information.