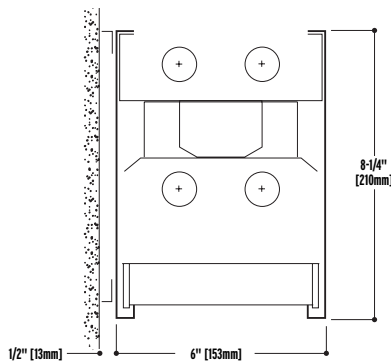


GEO 14-DIW

DIRECT-INDIRECT

- Direct – indirect light distribution.
- The light is continuous and unbroken.
- Discrete direct and indirect lighting for 3 distinct distributions.
- Die formed steel housing, nominal illuminated sections 3', 4', 6' and 8'.
- Runs provided to the nearest foot.
- Patterns are formed by butting standard sections.
- Selection of diffuser options.
- Rigid 'U' shaped trim with 3/8" regress soft lit edge.
- Housings may be special ordered custom finished.



Construction

20-gauge steel housing. Nominal 3', 4', 6' or 8' illuminated sections.

Shielding

White bold baffle louver, White acrylic diffuser, Prismatic acrylic lens or Parabolic baffle shielding.

Electrical

120, 277, 347 or Universal Voltage electronic ballast. Fixtures and electrical components certified to UL and CUL standards.

Finish

Durable, low gloss, white, powder coated acrylic finish.

End Caps

20-gauge steel construction.

Mounting

Wall mounted.

ORDERING INFORMATION:

Sample number: 14DIW-21T8-40-1EB-SI-S58

Series

14=Geo

Light Output

DI=Direct/Indirect

Mounting

W=Wall

Number of Lamps (per cross section) (not included)

1=1 Lamp 2=2 Lamps

Lamp Type

T8 T5 T5H0

Run Length

Overall Nominal Run Length__ft. (Any combination of 8', 6', 4' and 3' sections)

Voltage ¹

1=120V 2=277V 3=347V U=Universal

Ballast

EB=Electronic Ballast (Standard) DB=Dimming Ballast

Switching

SI=Single Switching DU=Dual Switching

Emergency

EM=Emergency Pack (Consult Factory)

Fusing

GLR GMF

Shielding

S22=White Acrylic Diffuser

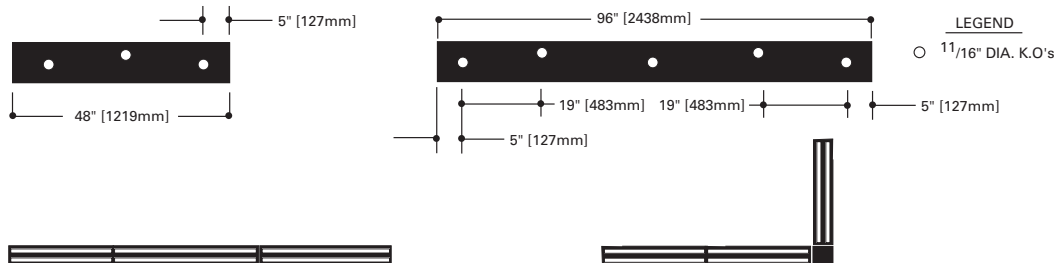
S72=White Bold Baffle

S58=KSH-12 Clear Acrylic Prismatic Lens

S79=Semi-Specular Aluminum Parabolic Baffle

1 Due to various constraints, some options may not be combined with others.

MOUNTING HOLE PATTERN



Illuminated runs are created by butting standard 3', 4', 6' or 8' sections resulting in runs to the nearest 1' increment.

Patterns are constructed from rows with 6" square non-illuminated fillers at the corners. Corners contain specified diffuser but, **Corners are not illuminated.**

NOTES: For complete product data, refer to the Neo-Ray Specification Binder. Specifications and dimensions subject to change without notice. Products may be modified for use in international markets. Please contact your Cooper Lighting Sales Representative for availability and ordering information.