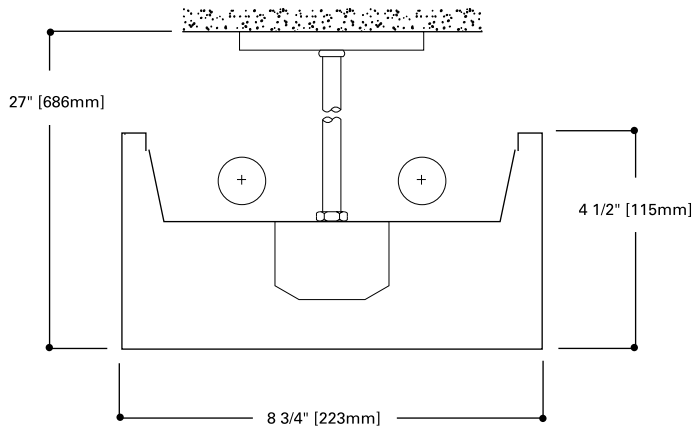


DIMENSIONS



DESCRIPTION

Series 40IP offers a selection of fixtures for surface, pendant and wall mounted applications. Used individually or in continuous illuminated runs and patterns, each fixture is uniquely suited to achieve many functional and aesthetic spatial effects.

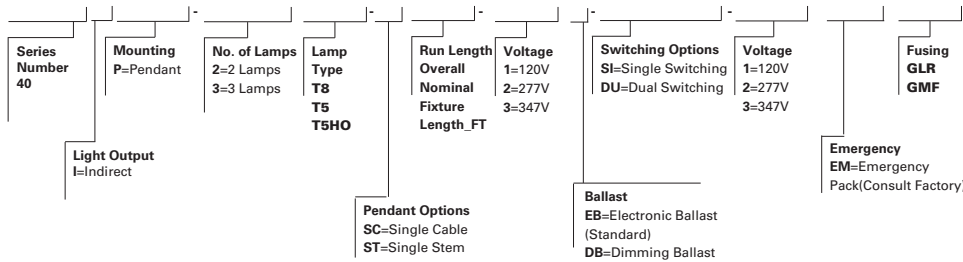


Series 40IP

9" INDIRECT PENDANT

ORDERING INFORMATION

SAMPLE NUMBER: 40IP-2T5-SC50-1EB-SI-1EM



- Pendant mounting with single stem (standard) or single cable. Canopy: Round 5" diameter.
- 20 ga. steel construction
- Baked on low gloss white powder coated polyester finish.
- Nominal 3', 4', 6' or 8' illuminated sections.
- (2) T8, 3' or 4'; and T5, T5HO lamps (not by NEO-RAY).
- 120, 277 or 347 Volt, electronic ballast.
- Consult factory for dimming and emergency options.
- See DLS section for system options.
- UL Listed, C-UL Listed

TYPICAL MOUNTING INFORMATION SERIES 40IP

