

DESCRIPTION

4.3" round recessed adjustable trim for downlight, wall washing, and accent applications. For use with 12V MR16 lamp 71W max.

Catalog #		Type
Project		
Comments		Date
Prepared by		

SPECIFICATION FEATURES

A Trim

358° x 70° Adjustable wall accent trim for downlight, wall washing, and accent applications. 4.3" o.d. trim face. Can hold one optical lens. Lamp can rotate 358° x 70°.

B Lamp

For use with 12V MR16 lamp 71W max. Lamp not included.

C Socket

GU5.3 bi-pin socket for 12V MR16. (Included with Microgem housing sold separately)

D Lens

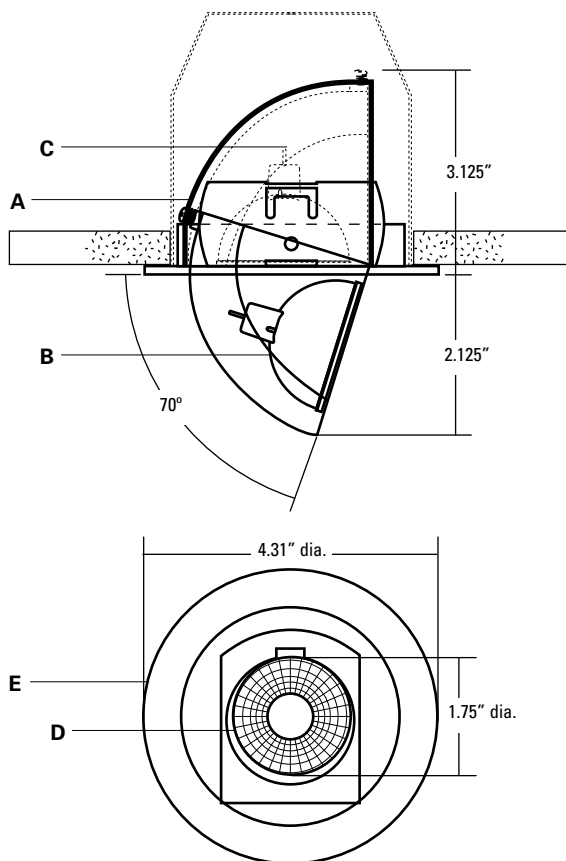
Includes clear protective glass lens. Can hold up to 1 optical accessory total.

E Finish

MLV3801 Powder coated white trim.

MLV3802 Powder coated black trim.

MLV3803 Industrial silver trim.



MICROGEM RECESSED

MLV3801 - 3803 4.3" O.D. Round Die Cast Wall Accent Trim 358° x 70° Adjustability

FOR 12V MR16 71W max.

Compatible Housings:

C500 / C500-SH

C600 / C600-EL

C700

C800

C900

SH2A



ORDERING INFORMATION

--

Fixture

MLV3801

White Trim

MLV3802

Black Trim

MLV3803

Industrial Silver Trim