

## DESCRIPTION

4.3" round recessed frosted glass collar trim for downlight applications. For use with 12V MR16 lamp 71W max.

<b>Catalog #</b>		<b>Type</b>
<b>Project</b>		
<b>Comments</b>		<b>Date</b>
<b>Prepared by</b>		

## SPECIFICATION FEATURES

### A Trim

Fixed position downlight trim. 4.3" o.d. trim face. Includes frosted glass collar for ambient illumination.

### B Lamp

For use with 12V MR16 lamp 71W max. Lamp not included.

### C Socket

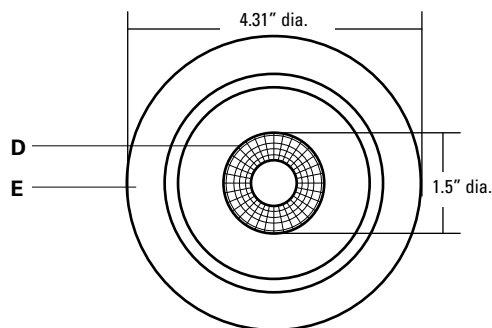
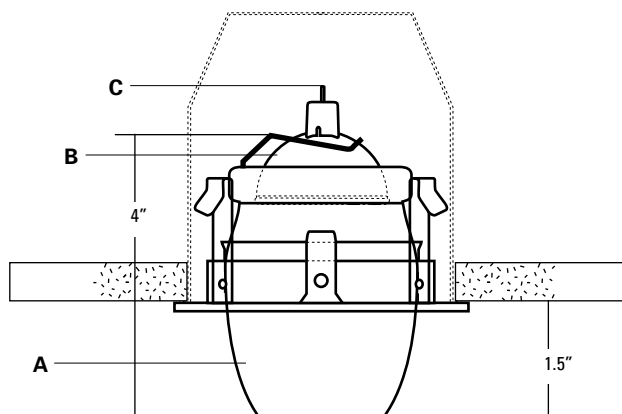
GU5.3 bi-pin socket for 12V MR16. (Included with Microgem housing sold separately)

### D Lens

Includes clear protective glass lens. Can hold up to 2 optical accessories total.

### E Finish

MLV3080 Powder coated white trim with frosted glass collar.



## MICROGEM RECESSED

### MLV3080 4.3" O.D. Round Die Cast Trim w/ Frosted Glass Collar

FOR 12V MR16 71W max.

Compatible Housings:

C500 / C500-SH

C600 / C600-EL

C700

C800

C900

SH2A



## ORDERING INFORMATION

MLV3080

**Fixture**  
MLV3080

White Trim w/ Frosted Glass Collar