

## DESCRIPTION

4.3" round recessed pinhole trim for downlight applications. For use with 12V MR16 lamp 71W max.

<b>Catalog #</b>		<b>Type</b>
<b>Project</b>		
<b>Comments</b>		<b>Date</b>
<b>Prepared by</b>		

## SPECIFICATION FEATURES

### A Trim

15° adjustable pinhole trim for downlight and accent applications. 4.3" o.d. trim face with 2" aperture.

### B Lamp

For use with 12V MR16 lamp 71W max. Lamp not included.

### C Socket

GU5.3 bi-pin socket for 12V MR16. (Included with Microgem housing sold separately)

### D Lens

Includes clear protective glass lens. Can hold up to 2 optical accessories total.

### E Finish

MLV3068 Powder coated white trim with black baffle.

MLV3069 Powder coated industrial silver trim with black baffle.

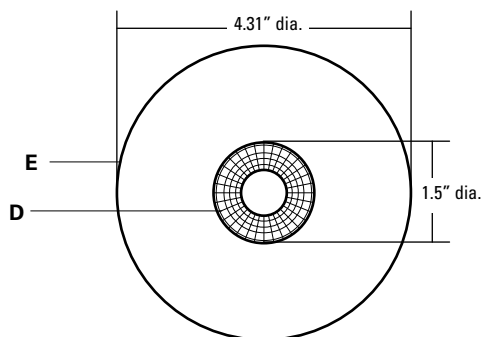
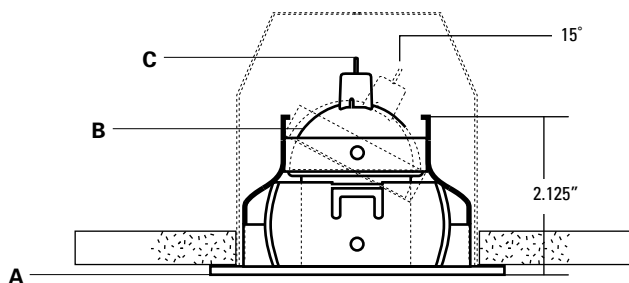
MLV3090\* Powder coated white trim with black reflector.

MLV3091\* Powder coated industrial silver trim with black reflector.

MLV3092\* Powder coated white trim with clear reflector.

MLV3093\* Powder coated industrial silver trim with clear reflector.

\*\* Non-adjustable"



## MICROGEM RECESSED

**MLV3068 - 3093**

**4.3" O.D.**

**Round Die Cast  
Pinhole Trim 2"**

**Aperture 15°  
Adjustability**

**FOR 12V MR16 71W max.**

Compatible Housings:

C500 / C500-SH

C600 / C600-EL

C700

C800

C900

SH2A



## ORDERING INFORMATION

### Fixture

<b>MLV3068</b>	White Trim w/ Black Baffle
<b>MLV3069</b>	Industrial Silver Trim w/ Black Baffle
<b>MLV3090</b>	White Trim w/ Black Reflector
<b>MLV3091</b>	Industrial Silver Trim w/ Black Reflector
<b>MLV3092</b>	White Trim w/ Clear Reflector
<b>MLV3093</b>	Industrial Silver Trim w/ Clear Reflector