

DESCRIPTION

4.3" round recessed adjustable slot trim for downlight and accent applications. For use with 12V MR16 lamp 71W max.

Catalog #		Type
Project		
Comments		Date
Prepared by		

SPECIFICATION FEATURES

A Trim

50° adjustable slot aperture trim for downlight and accent applications. 4.3" o.d. trim face.

B Lamp

For use with 12V MR16 lamp 71W max. Lamp not included.

C Socket

GU5.3 bi-pin socket for 12V MR16. (Included with Microgem housing sold separately)

D Lens

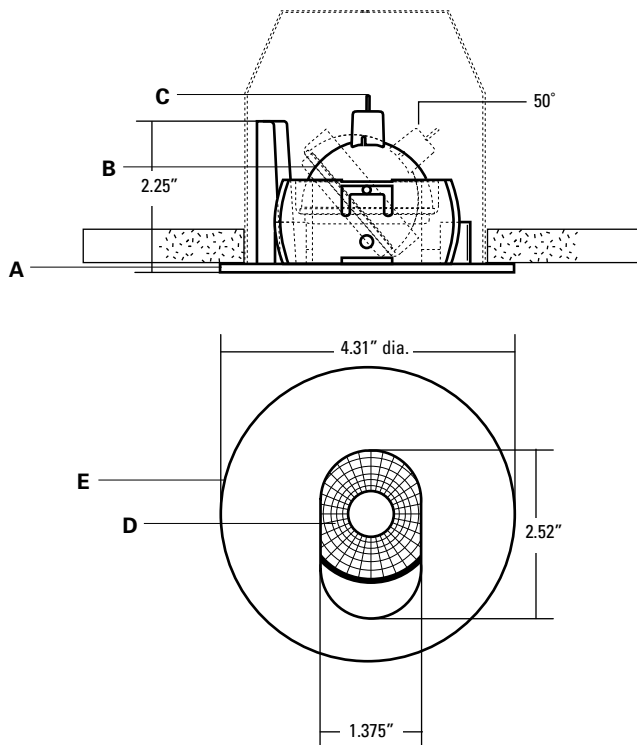
Includes clear protective glass lens. Can hold up to 2 optical accessories total.

E Finish

MLV3064 Powder coated white trim.

MLV3066 Powder coated black trim.

MLV3067 Powder coated industrial silver trim.



MICROGEM RECESSED

MLV3064 - 3067
4.3" O.D.
Round Die Cast Slot
Aperture Trim 50°
Adjustability

FOR 12V MR16 71W max.

Compatible Housings:

C500 / C500-SH

C600 / C600-EL

C700

C800

C900

SH2A



ORDERING INFORMATION

Fixture
MLV3064
MLV3066
MLV3067

White Trim
Black Trim
Industrial Silver Trim