

DESCRIPTION

4.3" round recessed crossblade louver trim for downlight applications.
For use with 12V MR16 lamp 71W max.

| | | |
|--------------------|--|-------------|
| Catalog # | | Type |
| Project | | |
| Comments | | Date |
| Prepared by | | |

SPECIFICATION FEATURES

A Trim

Fixed position trim with specular silver crossblade louver for reduced glare. 4.3" o.d. trim face.

B Lamp

For use with 12V MR16 lamp 71W max.
Lamp not included.

C Socket

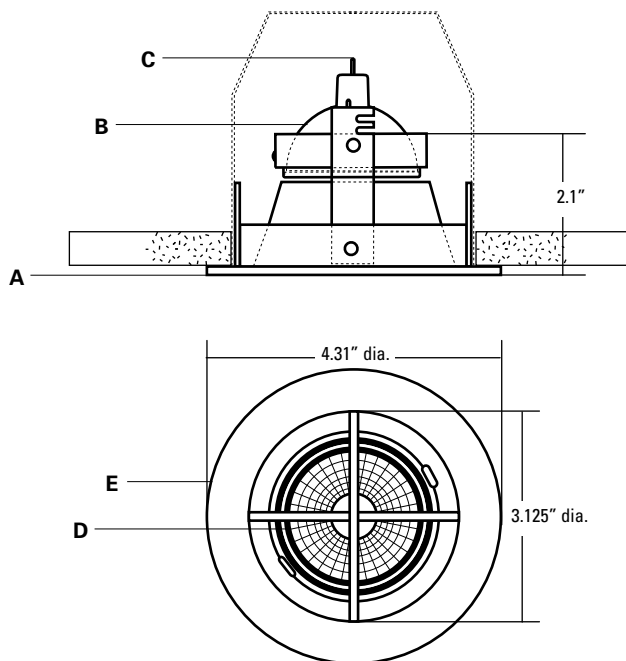
GU5.3 bi-pin socket for 12V MR16.
(Included with Microgem housing sold separately)

D Lens

Includes clear protective glass lens.
Can hold up to 2 optical accessories total.

E Finish

MLV3046 Powder coated white trim
with crossblade louver.



MICROGEM RECESSED

MLV3046 4.3" O.D. Round Die Cast Trim w/ Specular Silver Crossblade Louver

FOR 12V MR16 71W max.

Compatible Housings:

C500 / C500-SH

C600 / C600-EL

C700

C800

C900

SH2A



ORDERING INFORMATION

MLV3046

Fixture
MLV3046

White Trim w/ Crossblade Louver