

## DESCRIPTION

4.3" round adjustable recessed baffle trim for downlight applications.  
For use with 12V MR16 lamp 71W max.

<b>Catalog #</b>		<b>Type</b>
<b>Project</b>		
<b>Comments</b>		<b>Date</b>
<b>Prepared by</b>		

## SPECIFICATION FEATURES

### A Trim

35° adjustable recessed baffle trim. 4.3" o.d. trim face.

### B Lamp

For use with 12V MR16 lamp 71W max.  
Lamp not included.

### C Socket

GU5.3 bi-pin socket for 12V MR16.  
(Included with Microgem housing sold separately)

### D Lens

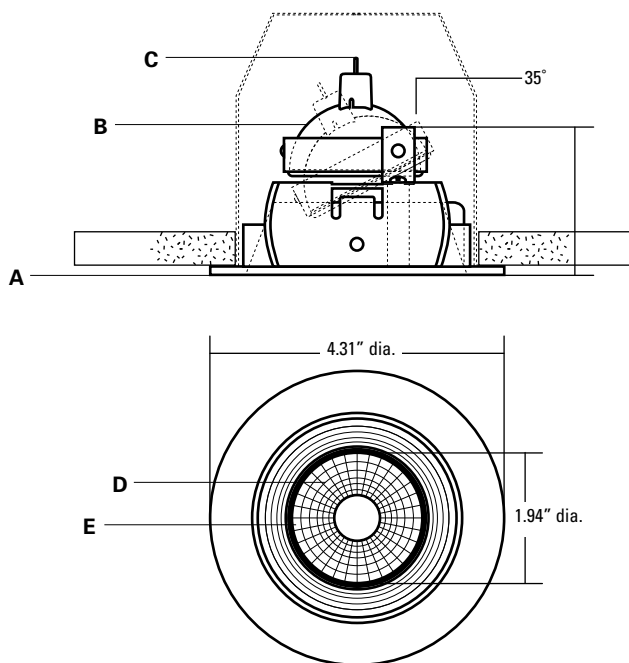
Includes clear protective glass lens.  
Can hold up to 2 optical accessories total.

### E Finish

MLV3049 Powder coated white trim with black baffle.

MLV3052 Powder coated black trim with black baffle.

MLV3053 Powder coated white trim with white baffle.



## MICROGEM RECESSED

**MLV3049 - 3053**  
**4.3" O.D.**  
**Round Die Cast**  
**Trim w/ Regressed**  
**Baffle 35°**  
**Adjustability**

**FOR 12V MR16 71W max.**

Compatible Housings:

C500 / C500-SH

C600 / C600-EL

C700

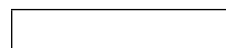
C800

C900

SH2A



## ORDERING INFORMATION



### Fixture

MLV3049

White Trim w/ Black Baffle

MLV3052

Black Trim w/ Black Baffle

MLV3053

White Trim w/ White Baffle