

DESCRIPTION

4.3" round recessed fixed reflector trim for showerlight applications. For use with 12V MR16 lamp 50W max. Suitable for wet locations.

Catalog #		Type
Project		
Comments		Date
Prepared by		

SPECIFICATION FEATURES

A Trim

Fixed position downlight trim for wet location. 4.3" o.d. round trim face. Includes internal reflector and internal silicone gasket.

B Lamp

For use with 12V MR16 lamp 50W max. Lamp not included.

C Socket

GU5.3 bi-pin socket for 12V MR16.

D Lens

Includes clear protective glass lens.

E Finish

MLV2037 Powder coated white trim with clear reflector.

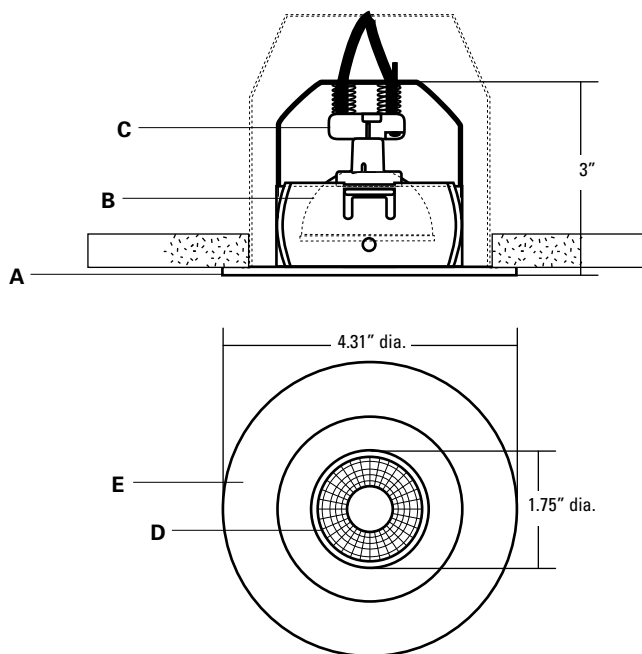
MLV2038 Powder coated white trim with black reflector.

MLV2039 Powder coated white trim with white reflector.

MLV2043 Chrome trim with clear reflector.

MLV2044 Chrome trim with black reflector.

MLV2045 Chrome trim with white reflector.



MICROGEM RECESSED

MLV2037 - 2045 4.3" O.D. Round Die Cast Showerlight Trim w/ Reflector for Wet Location

FOR 12V MR16 50W max.

Compatible Housings:

C500 / C500-SH

C600 / C600-EL

C700

C800

C900

SH2A



ORDERING INFORMATION

Fixture

MLV2037	White Trim w/ Clear Reflector
MLV2038	White Trim w/ Black Reflector
MLV2039	White Trim w/ White Reflector
MLV2043	Chrome Trim w/ Clear Reflector
MLV2044	Chrome Trim w/ Black Reflector
MLV2045	Chrome Trim w/ White Reflector