



3.13" Die Cast Eyeball Trim

45° Adjustability

12V Bi-Pin Base MR11 Lamp 20 Watts Max.

MS5008

MS5009

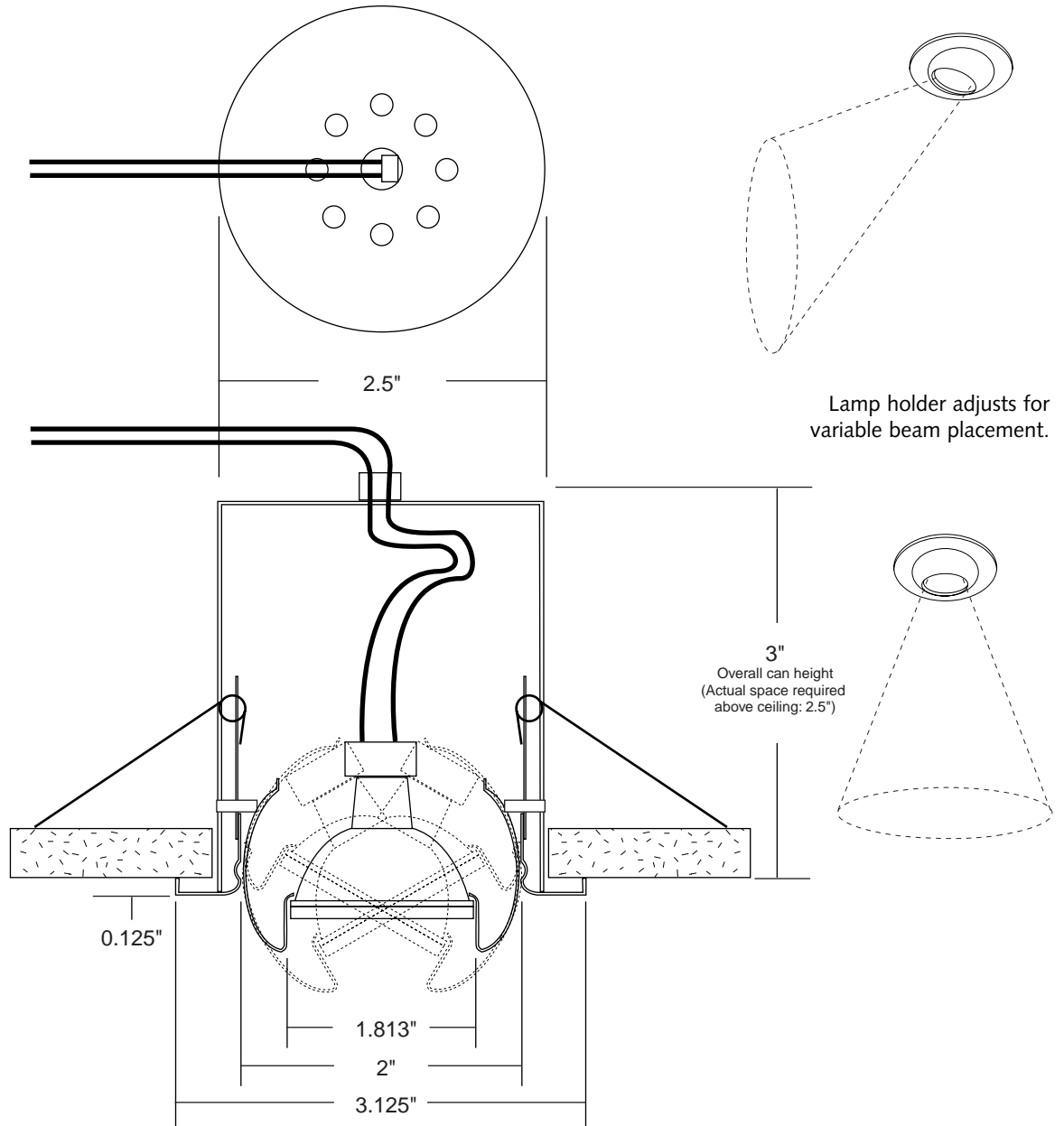
Recessed trim suitable for downlighting applications.

All die cast construction with durable powder coat or plated finish.

Eyeball lamp holder provides 45° adjustability

Includes recessed housing with porcelain bi-pin lamp socket and 30" 18 AWG SF-1 wire leads.

U.L. Listed for undercabinet installations.



Item #	Description	Finish	Trim Dia.	Ceiling Cut-Out	Lamp
MS5008	Recessed Adjustable Eyeball Trim	White	3.13"	2.50"	12 volts Bi-Pin MR11 Halogen 20 watts max.
MS5009		Black			