

COOPER LIGHTING - METALUX®

DESCRIPTION

The "Cricket Micro-Baffle" is an accessory designed to add function and flexibility to the SM striplight series. This attractive cross-blade baffle provides cut-off and interfaces easily with the respective striplight housing.

The "Cricket Micro-Baffle" is ideal for display lighting or in many retail/merchandising applications.

Catalog #		Type
Project		
Comments		Date
Prepared by		

SPECIFICATION FEATURES

A ... Construction

The micro-baffles are precision manufactured from code gauge prime cold rolled steel.

B ... Finish

Painted after fabrication. Multistage iron phosphate pre-treatment ensures maximum bonding and rust inhibitor. High reflectance lighting grade baked white enamel finish.

C ... Mounting

The micro-baffle ships with and installs easily into the standard SM series symmetric accessory reflectors. An attractive decorative end cap follows the baffle contour to complement this accessory.

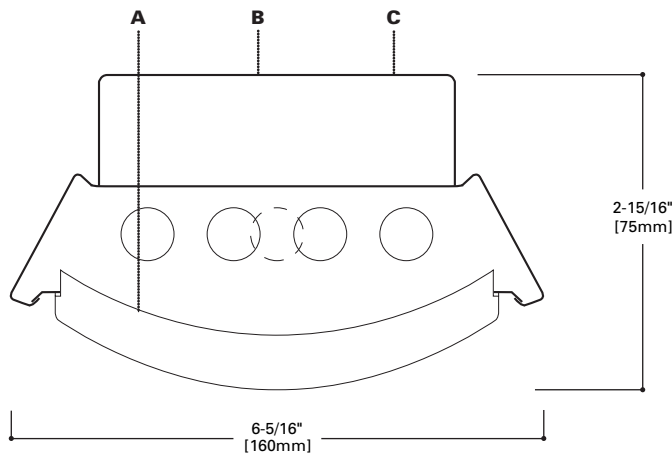
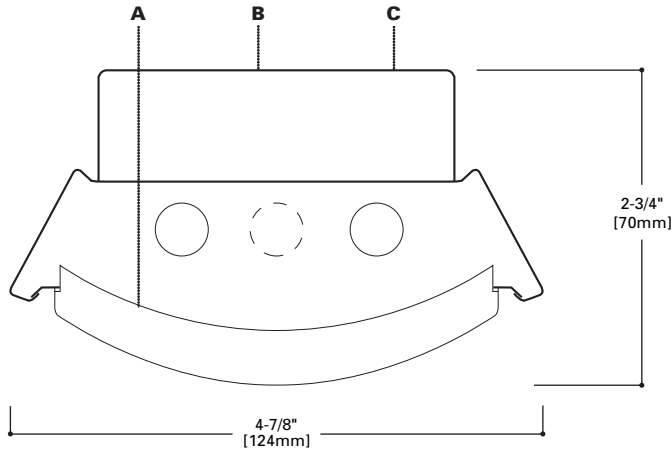


SM/SMW STRIPLITE ACCESSORY REFLECTORS

**SM-TBW
SMW-TBW**

2', 3', 4' or 5' STRIP
Micro-Baffle Reflector
1, 2, 3 OR 4 LAMP

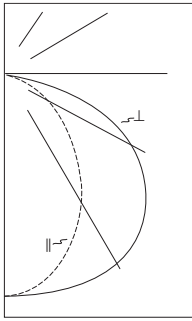
CRICKET
T5 Micro Striplights



LAMPS CONTAIN MERCURY. DISPOSE ACCORDING TO LOCAL, STATE OR FEDERAL LAWS

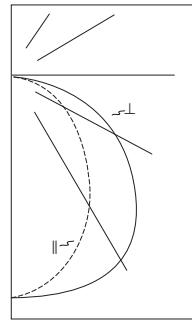
LINEAR DISCONNECT
Safe and convenient means of disconnecting power





SM-354-TBW
 Electronic Ballast
 F54T5/830 HO
 Lamps
 4400 Lumens
 Spacing criterion:
 (H) 1.0 x mounting
 height, (L) 1.5 x
 mounting height
 Efficiency 55.4%
 Test Report:
 SM354TBW.IES
 LER = FS-51
 Yearly Cost of 1000
 lumens, 3000 hrs at
 .08 KWH = \$4.75

Candela			
Angle	Along H	45°	Across L
0	2818	2818	2818
5	2779	2798	2808
10	2665	2741	2815
15	2500	2654	2824
20	2304	2540	2826
25	2085	2403	2813
30	1846	2246	2768
35	1599	2064	2684
40	1342	1859	2567
45	1078	1637	2409
50	827	1399	2211
55	662	1156	1987
60	536	928	1742
65	422	719	1450
70	317	551	1057
75	223	406	650
80	135	276	314
85	57	183	156
90	0	0	0



SM-228T5
 Electronic Ballast
 (2)F28T5/835 Lamps
 2610 Lumens each
 Spacing criterion:
 (H) 1.0 x mounting
 height, (L) 1.4 x
 mounting height
 Efficiency 64.8%
 Test Report:
 SM228T5 WITH
 WHITE THREE PIECE
 METAL LOUVER
 ASSEMBLY.IES
 LER = FS-57
 Yearly Cost of 1000
 lumens, 3000 hrs at
 .08 KWH = \$4.21

Candela			
Angle	Along H	45°	Across L
0	1421	1421	1421
5	1384	1402	1414
10	1316	1358	1414
15	1235	1305	1409
20	1144	1242	1393
25	1043	1169	1365
30	933	1085	1317
35	817	989	1247
40	694	882	1158
45	566	767	1054
50	440	641	809
55	355	514	809
60	290	392	678
65	229	293	505
70	173	220	338
75	120	147	222
80	72	94	137
85	29	26	5
90	1	26	5

Coefficients of Utilization

rc	Effective floor cavity reflectance 20%						
	80%		70%		50%		
rw	70	50	30	10	50	30	
RCR	0	66	66	66	64	64	64
1	61	58	56	54	59	57	55
2	56	51	48	45	54	50	47
3	51	46	42	38	50	45	41
4	47	41	36	33	46	40	36
5	43	36	31	28	42	36	31
6	40	33	28	24	39	32	27
7	37	29	25	21	36	29	24
8	34	26	22	18	33	26	21
9	31	24	19	16	30	23	19
10	29	22	17	14	28	21	17

Coefficients of Utilization

rc	Effective floor cavity reflectance 20%						
	80%		70%		50%		
rw	70	50	30	10	50	30	
RCR	0	76	76	76	74	74	74
1	70	68	65	63	68	66	64
2	65	60	56	53	63	59	55
3	60	54	49	45	58	53	48
4	55	48	43	39	54	47	42
5	50	43	38	34	49	42	37
6	47	39	33	29	45	38	33
7	43	35	30	26	42	34	29
8	40	31	26	23	39	31	26
9	37	28	23	20	36	28	23
10	34	26	21	17	33	25	21

Zonal Lumen Summary

Zone	Lumens	%Lamp	%Fixture
0-30	2136	16.2	29.2
0-40	3450	26.1	47.2
0-60	5851	44.3	80.0
0-90	7312	55.4	100.0
0-180	7312	55.4	100.0

Typical VCP Percentages

Room Size (Ft.)	Height Along		Height Across	
	8.5'	10.0'	8.5'	10.0'
20 x 20	36	41	22	25
30 x 30	31	33	22	22
30 x 60	28	29	20	20
60 x 30	33	34	27	28
60 x 60	29	29	23	23

Zonal Lumen Summary

Zone	Lumens	%Lamp	%Fixture
0-30	1049	20.1	31.5
0-40	1679	32.2	50.4
0-60	2764	53.0	83.0
0-90	3316	63.5	99.6
0-180	3329	63.8	100.0

Typical VCP Percentages

Room Size (Ft.)	Height Along		Height Across	
	8.5'	10.0'	8.5'	10.0'
20 x 20	36	41	27	30
30 x 30	31	33	26	27
30 x 60	28	29	23	23
60 x 30	35	36	31	32
60 x 60	30	30	26	26

Luminance Data

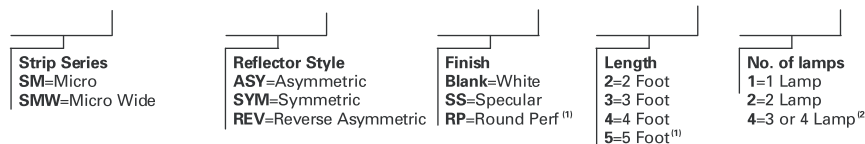
Angle in Deg	Average 0-Deg cd/sm	Average 45-Deg cd/sm	Average 90-Deg cd/sm
45	9059	12014	17021
55	6780	9827	16058
65	5756	7534	14189
75	4768	5772	8383
85	3033	4246	3088

Luminance Data

Angle in Deg	Average 0-Deg cd/sm	Average 45-Deg cd/sm	Average 90-Deg cd/sm
45	9293	11885	16007
55	7169	9568	14645
65	6252	7098	11756
75	5305	5330	7559
85	3658	4141	3090

ACCESSORY REFLECTOR NOMENCLATURE

SAMPLE NUMBER: SMW-SYM-RP-4-4



NOTES: (1) For SM, SML and SMW only. (2) For SMW only.

Specifications & dimensions subject to change without notice. Consult your Cooper Lighting Representative for availability and ordering information.

SHIPPING INFORMATION

Catalog No.	Wt.
SM-2-TBW	2 lbs.
SM-3-TBW	3 lbs.
SM-4-TBW	4 lbs.
SM-5-TBW	5 lbs.
SMW-2-TBW	4 lbs.
SMW-3-TBW	5 lbs.
SMW-4-TBW	7 lbs.
SMW-5-TBW	9 lbs.