

COOPER LIGHTING - METALUX®



GC SERIES

1' x 4', 2' x 2', 2' x 4'
20" x 48" Troffer
1, 2, 3 and 4 Lamp

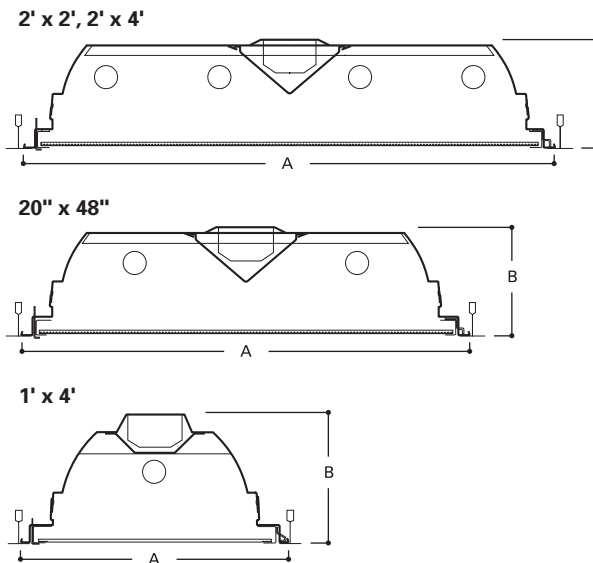
DEEP SPECIFICATION
GRADE RECESSED
STATIC TROFFER

- Equipped with energy saving ballasts/complies with federal energy efficiency standards
- Reinforced quadrasealed flat white steel door, mitered corners
- Spring loaded latch
- Deep "V" raceway/ballast cover distributes light uniformly across lens^(®)
- Lamp to lens spacing produces high comfort photometrics
- Four auxiliary fixture end suspension points provided
- End plate grid lock feature
- For information on flanged fixture, including ceiling opening size, see Technical Section.
- UL/CUL Listed. Suitable for damp locations.

DESCRIPTION

The Specification GC Series features a nominal 5-1/2" deep (1x4), 4-1/2" deep (2x2, 2x4, 20x48), para-contoured fixture housing, high reflectivity and optimum lamp to lens spacing. The Series produces total uniformity of light in the luminous area and is compatible with all of today's popular ceiling systems. The finish provides high reflectance. The GC Series is an excellent choice for commercial, office spaces, schools, hospitals or retail merchandising areas.

DIMENSIONS



NOMINAL SIZE	A	B
1' x 4'	11-3/4" (298mm)	5-5/8" (143mm)
2' x 2'	23-3/4" (603mm)	4-5/8" (116mm)
2' x 4'	23-3/4" (603mm)	4-5/8" (116mm)
20" x 48"	19-3/4" (502mm)	4-5/8" (116mm)

ORDERING INFORMATION

SAMPLE NUMBER: 2GC-232A-120V-EB81-U

<p>Width 2'=2' width Blank=1' width or 20" width</p>	<p>Silver Finish SS=Silver-Lining Housing and Ballast Cover</p>	<p>Options (See Options Section)</p>	<p>Packaging U=Unit Pack PAL=Job Pack, out of carton PALC=Job Pack, in carton</p>
<p>Trim Type G=Grid/Lay-in - Standard G=Concealed T G=Slot Grid⁽¹⁾ F=Flange Trim MZ=Modular Trim EMZ=Modular Trim (Extended Swing Arm)</p>	<p>2048=20" Width x 48" Length</p>	<p>Ballast Type⁽³⁾ Blank=Standard Magnetic Ballast (Biax & 20W) LE3=T12 Magnetic Energy Saving ER8 = T8 Electronic Program Rapid Start. Total Harmonic Distortion < 10% No. of Ballast 1, 2 or 3 EB8 = T8 Electronic Instant Start. Total Harmonic Distortion < 10% No. of Ballast 1, 2 or 3 EB8 /PLUS= T8 Electronic Instant Start. High Ballast Factor >1.13. Total Harmonic Distortion < 20% No. of Ballast 1, 2 or 3 EB5 = T5 Biax Electronic Instant Start. Total Harmonic Distortion < 20% No. of Ballast 1, 2 or 3 TEB5 =T5 Biax Electronic Instant Start. Total Harmonic Distortion < 10% No. of Ballast 1, 2 or 3 EB2 =T12 Electronic Rapid Start. No. of Ballast 1 or 2 DLS=Digital Lighting System Dimming (For complete details on generic or to specify manufacturer's ballast see pg. 469)</p>	
<p>Series C=Specification Deep Troffer</p>	<p>Number of Lamps⁽²⁾ 1, 2, 3, or 4 Lamps (Not included)</p>		
<p>Doorframes Standard=Flat White Steel Door (Leave Blank) FA=Flat White Extruded Aluminum Door RA=3/8" Regressed White Extruded Aluminum Door FAN=Flat Natural Extruded Aluminum Door RAN=3/8" Regressed Natural Extruded Aluminum Door FAB=Flat Black Extruded Aluminum Door RAB=3/8" Regressed Black Extruded Aluminum Door</p>	<p>Wattage (Length) U3=40W T12 (24") U6T8=32W T8 (24") 20=20W T12 (24") 17=17W T8 (24") U15/8=31W T8 (24") BX40=40W Biax (24") 40=40W T12 (48") 32=32W T8 (48")</p>		
	<p>Shielding A=#12 PatternAcrylic (See Lens and Louver Tables for additional shielding options)</p>		
	<p>Voltage⁽³⁾ 120V=120 Volt 277V=277 Volt 347V=347 Volt UNV=Universal Voltage 120-277⁽⁴⁾</p>		
	<p>Options GL=Single Element Fuse GM=Double Element Fuse Lamps - for lamps installed, see lamp options table Flex - for flex installed, see flex ordering table Emergency - for EM installed, see EM options table</p>		

NOTES: ⁽¹⁾An EQ Grid Clip is recommended for all 9/16" ceiling systems. ⁽²⁾Standard off-center ballast compartment on 3-lamp fixtures. ⁽³⁾Products also available in non-US voltages and frequencies for international markets. ⁽⁴⁾Not available when specifying emergencies, voltage must be specified.

For complete product data, reference the Fluorescent Specification binder. Specifications & dimensions subject to change without notice. Consult your Cooper Lighting Representative for availability and ordering information.