

COOPER LIGHTING - METALUX®

DESCRIPTION

The DIM Series is an energy efficient family of industrials that feature premium performance and durability. The industrial series incorporates heavy duty, embossed, reflectors that precisely direct and effectively control light. The versatile DIM Series can be installed using various mounting methods and numerous options and accessories are available.

The DIM Series can be utilized in simple task and area lighting to the most demanding industrial applications.

Catalog #		Type
Project		
Comments		Date
Prepared by		

SPECIFICATION FEATURES

A ... Construction

Channel is code gauge prime cold rolled steel. Die formed with deep V-grooves for tong hanger. Die formed channel connector assures straight rows and continuity of ground through set screws. Lampholder mounting brackets are easily inserted with snap-in action.

B ... Electrical*

Ballast are CBM/ETL Class "P" and positively secured by mounting bolts. Metal clad lampholders are spring loaded for turret safety. UL/CUL listed. Suitable for damp locations.

C ... Finish

Multistage iron phosphate pretreatment ensures maximum bonding and rust inhibitor. Lighting grade, baked white enamel finish.

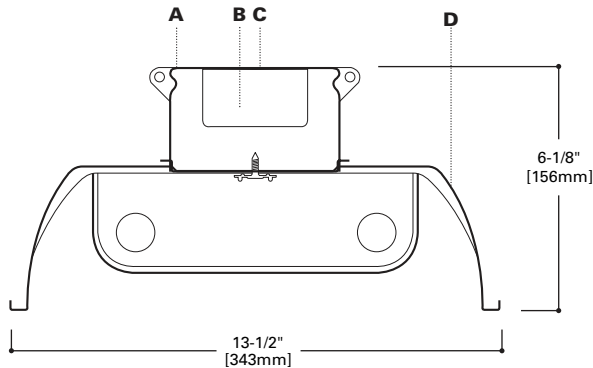
D ... Reflectors

Die formed prime steel, code gauge. Deep draw full width ribs formed with one press stroke. Side flanges lend strength with upward turn. Easily cleaned. Baked white enamel 13-1/2" width. Four foot sections. Reflectors secured by positive retaining screw. Reflector aligners provided. Standard with 20% uplight (DIM). Closed top reflector (DCIM). Optional industrial fixtures are available incorporating silver technology enhancements. (SilverLining)

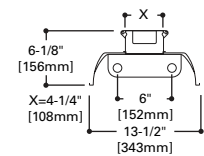


DIM
248
296
296T8

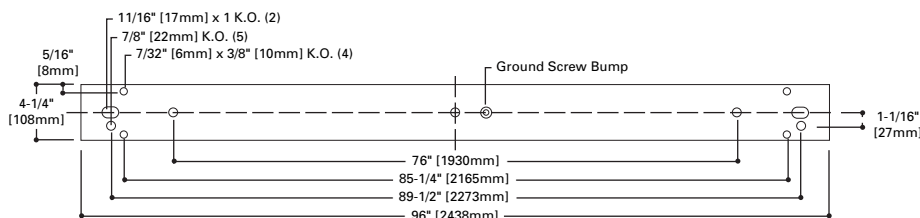
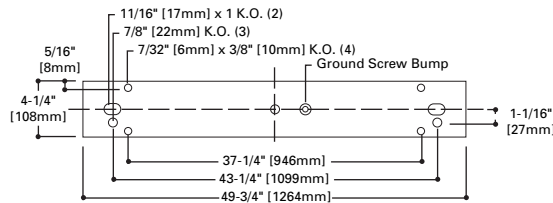
**4' OR 8' INDUSTRIAL
2 LAMP
SLIMLINE
Heavy Duty Industrial**



LAMP CONFIGURATIONS



MOUNTING DATA



ENERGY DATA

Input Watts:

EB Ballast & STD Lamps

248 (74)

296 (136)

296T8 (110)

ES Ballast & STD Lamps

296 (158)

STD Ballast & STD Lamps

248 (102)

Luminaire Efficacy Rating

LER = FI-86

Catalog Number: DIM-296T8

Yearly Cost of 1000 lumens,

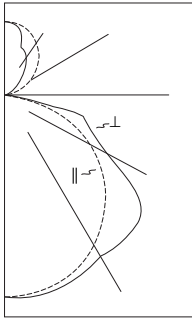
3000 hrs at .08 KWH = \$2.79

*Reference the lamp/ballast data in the Technical Section for specific lamp/ballast requirements.

LAMPS CONTAIN MERCURY. DISPOSE ACCORDING TO LOCAL, STATE OR FEDERAL LAWS

LINEAR DISCONNECT
Safe and convenient means of disconnecting power





DIM-296T8
Energy Saving
Ballast

F96T8/SPX35 Lamps
5950 Lumens

Spacing criterion:
(||) 1.3 x mounting
height, (⊥) 1.4 x
mounting height
Efficiency 93.1%

Test Report:
DIM296T8.IES

LER = FI-86

Yearly Cost of 1000
lumens, 3000 hrs at
.08 KWH = \$2.79

Coefficients of Utilization

rc	Effective floor cavity reflectance																	
	80%				70%				20%									
rw	70	50	30	10	70	50	30	10	50	30	10	50	30	10	50	30	10	0%
RCR																		
0	107	107	107	107	103	103	103	103	95	95	95	87	87	87	80	80	80	77
1	97	92	88	84	93	89	85	82	82	79	76	75	73	71	70	68	66	63
2	88	80	73	68	84	76	71	66	71	66	62	65	61	58	60	57	54	51
3	79	69	62	55	76	67	60	54	62	56	51	57	52	48	52	49	45	42
4	72	61	53	46	69	59	51	45	54	48	43	50	45	40	46	42	38	36
5	66	54	46	39	63	52	44	38	48	42	36	45	39	35	41	37	33	30
6	61	48	40	34	58	47	39	33	43	37	32	40	34	30	37	32	29	26
7	56	44	35	30	54	42	34	29	39	33	28	36	31	26	34	29	25	23
8	52	40	32	26	50	38	31	26	36	29	24	33	28	23	31	26	22	20
9	49	36	28	23	46	35	28	23	33	26	22	31	25	21	29	24	20	18
10	45	33	26	21	44	32	25	21	30	24	20	28	23	19	26	22	18	16

Zonal Lumen Summary

Zone	Lumens	%Lamp	%Fixture
0-30	2123	17.8	19.2
0-40	3564	30.0	32.2
0-60	6821	57.3	61.6
0-90	9165	77.0	82.7
90-180	1915	16.1	17.3
0-180	11080	93.1	100.0

Candela

Angle	Along	45°	Across ⊥
0	2657	2657	2657
10	2632	2624	2670
20	2510	2530	2581
30	2310	2369	2472
40	2027	2172	2464
50	1674	2042	2288
60	1264	1750	1570
70	800	1011	1160
80	340	549	300
90	0	43	43
100	76	125	125
110	232	84	107
120	407	105	86
130	572	305	152
140	713	513	372
150	826	611	600
160	909	814	661
170	955	946	945
180	966	966	966

ORDERING INFORMATION

SAMPLE NUMBER: DIM-296T8-120V-EB81-U

<p>Tandem Blank=4' Length 8T=8' Length</p> <p>Series DIM= Apertured Reflector DCIM= Closed Top Reflector</p> <p>Lamp Spacing Blank=Standard Spacing N=Narrow Spacing for 2 Lamp Only (10% uplight)</p>	<p>Silver Reflector SS= Silver-Lining Reflector⁽³⁾</p> <p>Wattage (Length) 48=40WT12 (48") SL 96=60/75WT12 (72") SL 96T8=59WT8 (96") SL</p> <p>Voltage⁽¹⁾ 120V=120 Volt 277V=277 Volt 347V=347 Volt UNV=Universal Voltage 120-277⁽²⁾</p> <p>Options GL=Single Element Fuse GM=Double Element Fuse Emergency=EM Installed</p>	<p>Number of Lamps 2 Lamps (Not included)</p>	<p>Ballast Type⁽¹⁾ EB8 =T8 Electronic Instant Start. Total Harmonic Distortion < 10% No. of Ballast 1, 2 or 3 EB8 /PLUS= T8 Electronic Instant Start. High Ballast Factor >1.13. Total Harmonic Distortion < 20% No. of Ballast 1, 2 or 3 ER8 =T8 Electronic Program Rapid Start. Total Harmonic Distortion < 10% No. of Ballast 1, 2 or 3 EB2 =T12 Electronic Rapid Start. No. of Ballast 1 or 2</p>	<p>Options RIF1=Radio Interference Suppressor 6-3/18 SJT-C&P-515P=Cord & Plug (120V) 6-3/18 SJT-C&P-L715P=Cord & Plug (277V) PI/CPI=Plug-In Option TILW=Tandem In-Line Wiring Option (Consult TILW Option Catalog Page) POX=Porlux Finish (See options & accessories)</p>	<p>Packaging U=Unit Pack 4B=4 Bulk</p>
---	---	--	---	--	---

NOTES: ⁽¹⁾Products also available in non-US voltages and frequencies for international markets. ⁽²⁾Not available when specifying emergencies, voltage must be specific. ⁽³⁾Silver lining not available on fixtures with HO, VHO or PG.

Specifications & dimensions subject to change without notice. Consult your Cooper Lighting Representative for availability and ordering information.

ACCESSORIES

- (Order Separately)
- A1B/Spacer-U=Spacer 1-1/2" to 2-1/2" from ceiling (Use 2 per fixture)
 - ATG-4=Tong Hanger (Use 2 per fixture)
 - SCF=Fixed Stem Set (Specify Length)
 - SCS=Swivel Stem Set (Specify Length)
 - SCA=Adjustable 48" Stem Set
 - AYC-Chain/Set-U=Chain Hanger Set (Use 1 set per fixture)
 - WG/DI-4FT-U=Wire Guard
 - WGG/DI-4FT-U=Wire Gym Guard
 - MECL-DI/SL-48-U=Metal Egg Crate Louver
 - MECL-DI/SL-96-U=Metal Egg Crate Louver
 - DI2=Long Connector
 - CEP=Closed End Plate

(Additional Accessories Available. See Options and Accessories Section).

SHIPPING INFORMATION

Catalog No.	Wt.
DIM-248'	18 lbs.
DIM-296T8	32 lbs.

Specifications and Dimensions subject to change without notice.

Metalux • Customer First Center • 1121 Highway 74 South • Peachtree City, GA 30269 • TEL 770.486.4800 • FAX 770.486.4801