

# COOPER LIGHTING - METALUX®



## DI SERIES

4' or 8' Industrial  
2 Lamps

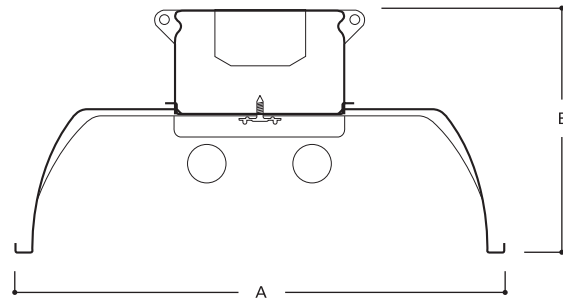
### MEDIUM DUTY INDUSTRIAL

- Equipped with energy saving ballasts/complies with federal energy efficiency standards
- Die formed channels
- Heavy duty apertured, (DI) or closed top, (DCI) reflector
- Pressure lock lampholders (RS), spring loaded lampholders (SL, HO)
- Deep draw full width reflector ribs add rigidity
- Baked white enamel finish
- Apertured reflector (DI) standard with 6% uplight
- Porlux, and Silverlining finishes available <sup>(3)</sup>
- Wire guards, gym guards, lens frames, and metal louvers available for special applications
- Also available in tandem 8' lengths
- UL/CUL Listed. Suitable for damp locations.

### DESCRIPTION

The DI Series is an energy efficient family of industrials that features premium performance and durability. The DI incorporates heavy duty, embossed, reflectors that precisely direct and effectively control light. The versatile DI can be installed using various mounting methods and numerous options and accessories are available. The DI can be utilized in simple task and area lighting to the most demanding industrial applications.

### DIMENSIONS



NOMINAL LENGTH	A	B
4', 8'	13 1/2" (343mm)	6 5/8" (168mm)

### ORDERING INFORMATION

SAMPLE NUMBER: DI-232-120V-EB81-U

<b>Tandem</b> Blank=4' Length 8T=8' Length	<b>Silver Reflector</b> SS=Silver-Lining Reflector <sup>(3)</sup>	<b>Number of Lamps</b> 2 Lamps (Not included)	<b>Wattage (Length)</b> 40=34/40W T12 (48") 32=32W T8 (48") 48=40W T12 (48") SL 48HO=60W T12 (48") HO 48HO=44W T8 (48") HO 96=60/75W T12 (72") SL 96=59W T8 (96") SL 96HO=95/110W T12 (96") HO 96HO=86W T8 (96") HO	<b>Options</b> (See Options Section)	<b>Packaging</b> U=Unit Pack 4B=4 Bulk
<b>Series</b> DI=Apertured Reflector DCI=Closed Top Reflector	<b>Voltage <sup>(1)</sup></b> 120V=120 Volt 277V=277 Volt 347V=347 Volt UNV=Universal Voltage 120-277 <sup>(2)</sup>	<b>Ballast Type <sup>(1)</sup></b> Blank=Standard Magnetic Ballast LE3=T12 Magnetic Energy Saving EB8 = T8 Electronic Instant Start. Total Harmonic Distortion < 10% No. of Ballast 1, 2 or 3 EB8_/PLUS= T8 Electronic Instant Start. High Ballast Factor >1.13. Total Harmonic Distortion < 20% No. of Ballast 1, 2 or 3 ER8 = T8 Electronic Program Rapid Start. Total Harmonic Distortion < 10% No. of Ballast 1, 2 or 3 EB2 =T12 Electronic Rapid Start. No. of Ballast 1 or 2 (For complete details on generic or to specify manufacturer's ballast see pg. 469)	<b>Options</b> GL=Single Element Fuse GM=Double Element Fuse Emergency - for EM installed, see EM options table		

NOTES: <sup>(1)</sup>Products also available in non-US voltages and frequencies for international markets. <sup>(2)</sup>Not available when specifying emergencies, voltage must be specific. <sup>(3)</sup>Silver lining not available on fixtures with HO.

For complete product data, reference the Fluorescent Specification binder. Specifications & dimensions subject to change without notice. Consult your Cooper Lighting Representative for availability and ordering information.