

# COOPER LIGHTING - METALUX®

## DESCRIPTION

The EIM Series is an energy efficient family of industrials that feature premium performance and durability. The industrial series incorporates heavy duty, embossed, reflectors that precisely direct and effectively control light. The EIM reflector is a unique design that was developed to prevent debris accumulation in special applications. The versatile EIM Series can be installed using various mounting methods and numerous options and accessories are available.

The EIM Series can be utilized in simple task and area lighting to the most demanding specialized industrial applications with environmental requirements.

## SPECIFICATION FEATURES

### A ... Construction

Channel is code gauge prime cold rolled steel. Die formed with deep V-grooves for tong hanger. Die formed channel connector assures straight rows and continuity of ground through set screws. Lampholder mounting brackets are easily inserted with snap-in action.

### B ... Electrical\*

Ballast are CBM/ETL Class "P" and positively secured by mounting bolts. Metal clad lampholders are spring loaded for turret safety. UL/CUL listed. Suitable for damp locations.

### C ... Finish

Multistage iron phosphate pretreatment ensures maximum bonding and rust inhibitor. Lighting grade, baked white enamel finish.

### D ... Reflectors

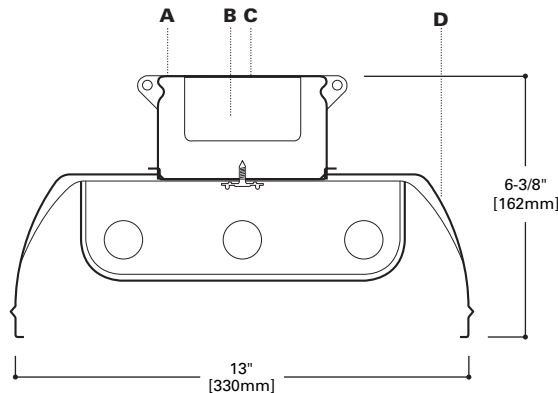
Painted after fabrication. Die formed code gauge steel. Deep draw full width ribs formed with one press stroke. Side flanges lend strength with downward turn. Reflector design prevents lint, dust and debris buildup. Easily cleaned. Baked white enamel 13" width. Four foot sections. Reflectors secured by positive retaining screw. Reflector aligners provided. Standard with 20% uplight (EIM). Closed top reflector (ECIM). Optional Industrial fixtures are available incorporating silver technology enhancements. (SilverLining)

Catalog #		Type
Project		
Comments		Date
Prepared by		

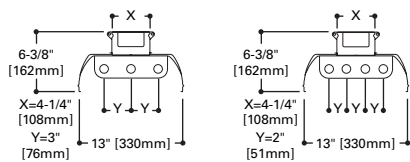


**EIM**  
396  
396T8  
496  
496T8

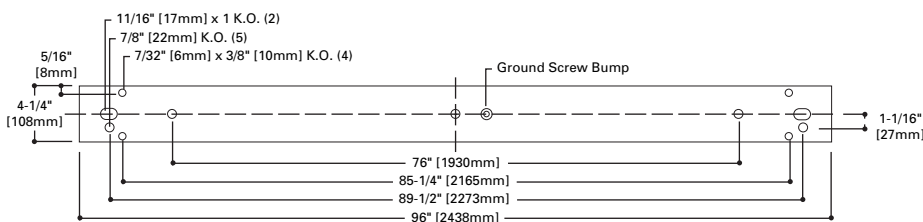
**8' INDUSTRIAL**  
**3 OR 4 LAMP**  
**SLIMLINE**  
**Environmental Heavy Duty**  
**Industrial**



## LAMP CONFIGURATIONS



## MOUNTING DATA



## ENERGY DATA

Input Watts:

**EB Ballast & STD Lamps**

396 (221)  
396T8 (180)  
496 (272)  
496T8 (220)

**ES Ballast & STD Lamps**

496 (316)

**STD Ballast & STD Lamps**

396 (270)  
496 (360)

Luminaire Efficacy Rating

LER = FI-87

Catalog Number: EIM-396T8

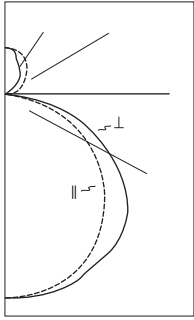
Yearly Cost of 1000 lumens,  
3000 hrs at .08 KWH = \$2.76

\*Reference the lamp/ballast data in the Technical Section for specific lamp/ballast requirements.

LAMPS CONTAIN MERCURY. DISPOSE ACCORDING TO LOCAL, STATE OR FEDERAL LAWS

**LINEAR DISCONNECT**  
Safe and convenient means of disconnecting power





**EIM-396T8**  
Energy Saving  
Ballast

F96T8/SPX35 Lamps  
5950 Lumens

Spacing criterion:  
(||) 1.3 x mounting  
height, (⊥) 1.4 x  
mounting height  
Efficiency 92.8%

Test Report:  
EIM396T8.IES

LER = FI-87

Yearly Cost of 1000  
lumens, 3000 hrs at  
.08 KWH = \$2.76

**Coefficients of Utilization**

rc	Effective floor cavity reflectance																	
	80%				70%				20%									
rw	70	50	30	10	70	50	30	10	50	30	10	50	30	10	50	30	10	0
<b>RCR</b>																		
0	107	107	107	107	103	103	103	103	96	96	96	89	89	89	83	83	83	80
1	98	93	89	85	94	90	86	83	83	80	78	77	75	73	72	70	69	66
2	88	80	74	69	85	78	72	67	72	67	63	67	63	60	63	59	57	54
3	80	70	62	56	77	68	61	55	63	57	52	59	54	50	55	51	47	45
4	73	62	54	47	70	60	52	46	56	49	44	52	47	42	49	44	40	38
5	67	55	46	40	64	53	45	39	50	43	38	46	41	36	43	39	35	32
6	62	49	41	35	59	48	40	34	45	38	33	42	36	31	39	34	30	28
7	57	44	36	30	55	43	35	30	40	34	29	38	32	28	36	30	27	25
8	53	40	32	27	51	39	32	26	37	30	25	35	29	25	33	27	24	22
9	49	37	29	24	47	36	29	24	34	27	23	32	26	22	30	25	21	19
10	46	34	26	22	44	33	26	21	31	25	21	29	24	20	28	23	19	17

**Zonal Lumen Summary**

Zone	Lumens	%Lamp	%Fixture
0-30	3425	19.2	20.7
0-40	5752	32.2	34.7
0-60	10795	60.5	65.2
0-90	14235	79.7	86.0
90-180	2324	13.0	14.0
0-180	16559	92.8	100.0

**Candela**

Angle	Along	45°	Across ⊥
0	4237	4237	4237
10	4182	4186	4263
20	3980	4088	4189
30	3670	3845	4014
40	3233	3553	3832
50	2680	3172	3280
60	2014	2472	2485
70	1273	1687	1589
80	525	515	377
90	17	63	62
100	87	139	102
110	255	334	374
120	443	130	338
130	621	323	179
140	768	560	386
150	892	655	635
160	974	861	736
170	1019	988	981
180	1031	1031	1031

**ORDERING INFORMATION**

SAMPLE NUMBER: EIM-396T8-120V-EB81-U

<p><b>Tandem</b> Blank=4' Length 8T=8' Length</p> <p><b>Series</b> EIM= Apertured Reflector ECIM=Closed Top Reflector</p> <p><b>Lamp Spacing</b> Blank=Standard Spacing N=Narrow Spacing for 2 Lamp Only (10% uplight)</p>	<p><b>Silver<sup>(3)</sup> Reflector</b> SS= Silver- Lining Reflector</p> <p><b>Number of Lamps</b> 3 or 4 Lamps (Not included)</p> <p><b>Wattage (Length)</b> 96=60/75WT12 (72") SL 96T8=59W T8 (96") SL</p> <p><b>Voltage<sup>(1)</sup></b> 120V=120 Volt 277V=277 Volt 347V=347 Volt UNV=Universal Voltage 120-277<sup>(2)</sup></p> <p><b>Options</b> GL=Single Element Fuse GM=Double Element Fuse Emergency=EM Installed</p>	<p><b>Ballast Type<sup>(1)</sup></b> EB8 = T8 Electronic Instant Start. Total Harmonic Distortion &lt; 10% No. of Ballast 1, 2 or 3 EB8_/PLUS= T8 Electronic Instant Start. High Ballast Factor &gt;1.13. Total Harmonic Distortion &lt; 20% No. of Ballast 1, 2 or 3 ER8 = T8 Electronic Program Rapid Start. Total Harmonic Distortion &lt; 10% No. of Ballast 1, 2 or 3 EB2 = T12 Electronic Rapid Start. No. of Ballast 1 or 2 DLS=Digital Lighting System Dimming</p>	<p><b>Options</b> RIF1=Radio Interference Suppressor 6-3/18 SJT-C&amp;P-515P=Cord &amp; Plug (120V) 6-3/18 SJT-C&amp;P- L715P=Cord &amp; Plug (277V) PI/CPI=Plug-In Option TILW=Tandem In-Line Wiring Option (Consult TILW Option Catalog Page) POX=Porlux Finish (See options &amp; accessories)</p>	<p><b>Packaging</b> U=Unit Pack 4B=4 Bulk</p>
--	--	--	---	---

NOTES: <sup>(1)</sup>Products also available in non-US voltages and frequencies for international markets. <sup>(2)</sup>Not available when specifying emergencies, voltage must be specific. <sup>(3)</sup>Silver lining not available on fixtures with HO, VHO or PG.

Specifications & dimensions subject to change without notice. Consult your Cooper Lighting Representative for availability and ordering information.

**ACCESSORIES (Order Separately)**

- A1B/Spacer-U=Spacer 1-1/2" to 2-1/2" from ceiling (Use 2 per fixture)
- ATG-4=Tong Hanger (Use 2 per fixture)
- SCF=Fixed Stem Set (Specify Length)
- SCS=Swivel Stem Set (Specify Length)
- SCA=Adjustable 48" Stem Set
- AYC-Chain/Set-U=Chain Hanger Set (Use 1 set per fixture)
- WG/DI-4FT-U=Wire Guard
- WGG/DI-4FT-U=Wire Gym Guard
- DI2=Long Connector
- CEP=Closed End Plate (Note: Reflector will extend 1/4" past the end plate).

(Additional Accessories Available. See Options and Accessories Section).

**SHIPPING INFORMATION**

Catalog No.	Wt.
EIM-396T8 <sup>1</sup>	36 lbs.
EIM-496T8	36 lbs.

**Specifications and Dimensions subject to change without notice.**

Metalux • Customer First Center • 1121 Highway 74 South • Peachtree City, GA 30269 • TEL 770.486.4800 • FAX 770.486.4801