

MCGRAW-EDISON®



NHN NEW HAVEN

50 - 250 W

Metal Halide
High Pressure Sodium

POST-TOP
AREA LUMINAIRE

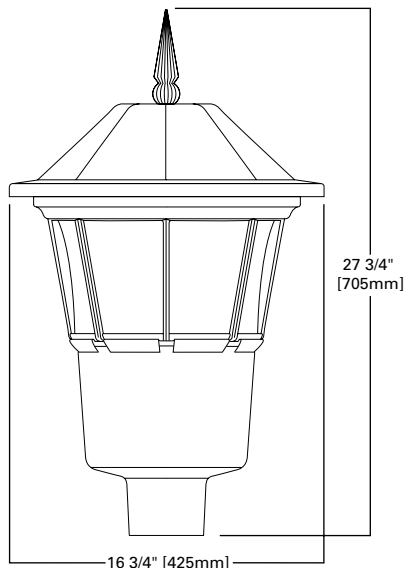
- Die-cast aluminum housing with spun and stamped aluminum top. Stainless steel toolless entry latch for relamping and ballast power module access. Top is completely removable without the use of tools
- Injection molded acrylic refractors available in type II, III or V. Optional glass or polycarbonate refractor available
- Mogul-base socket for 50W through 150W HPS and 175W and 250W Metal Halide; 50W through 150W MH is medium-base socket. All sockets are 4KV pulse rated
- Power module designed for easy removal of all electrical components for servicing by loosening two screws
- Optional internal NEMA twistlock photocontrol available
- Post top mount fits 3" O.D. tenons. Secured by 3/8" stainless steel hex socket set screws
- Approximate net weight: 34 lbs. (14 kgs.)

DESCRIPTION

The NHN New Haven displays an old fashion charm of traditional area lighting, enhancing every lighting application with a distinctive styling day or night. U.L. listed and CSA certified for wet locations.

Enhancing natural landscapes as well as cityscapes, the New Haven brings outstanding performance and style to walkways, parking lots and roadways.

DIMENSIONS



ORDERING INFORMATION

SAMPLE NUMBER: NHN-150-MH-120-5-BK

Product Family NHN=New Haven	Lamp Wattage ¹ 50=50W 70=70W 100=100W 150=150W 175=175W 250=250W ²	Lamp Type MH=Metal Halide HPS=High Pressure Sodium	Voltage ³ 120=120V 208=208V 240=240V 277=277V 347=347V 480=480V MT=Multi-Tap ⁴ TT=Triple-Tap ⁵	Distribution 2=Type II 3=Type III 5=Type V	Color AP=Grey BZ=Bronze BK=Black WH=White GN=Hartford Green DP=Dark Platinum GM=Graphite Metallic	Options & Accessories (See Below)
--	---	---	--	--	---	---

E.P.A. 1.7

Options⁶
 F=Single Fuse (120, 277 or 347V)
 D=Double Fuse (208, 240 or 480V)
 T=Terminal Block
 G=Glass Refractor⁷
 P=Polycarbonate Refractor
 R=NEMA Twistlock Photocontrol Receptacle
 L=Lamp Included

Accessories⁸
 OA/RA1016=NEMA Twistlock Photocontrol—Multi-Tap
 OA/RA1027=NEMA Twistlock Photocontrol—480V
 OA1202=House Side Shield

NOTES: 1 50 through 150W Metal Halide are medium-base socket. All others are mogul-base. 2 250W Metal Halide only. 3 Product also available in non-US voltages and 50Hz for international markets. Consult factory for availability and ordering information. 4 Multi-Tap ballast is 120/208/240/277V wired 277V. 5 Triple-Tap ballast is 120/277/347V wired 347V. 6 Add as suffix in the order shown. 7 Type III and Type V distributions only. 8 Order separately, replace XX with color suffix. 9 Specifications and dimensions subject to change without notice.