

DESCRIPTION

Miniature cylindrical recessed housing and round Trimless Fixture with smooth regressed splay and 45° cut-off. Includes enclosure with integral transformer and wiring compartment.

For new construction or remodel applications. Insulation must be kept 3" from all sides and at least 1" above the housing.

Catalog #		Type
Project		
Comments		Date
Prepared by		

SPECIFICATION FEATURES

A...Housing

All aluminum construction with 18" of flexible conduit attached to a cylindrical transformer/wiring enclosure. Perforated metal plasterframe adjusts for Trim Fixtureless mounting in 1/2" - 3/4" drywall.

B...Trimless Fixture:

3.2" o.d. round Trimless Fixture with smooth regressed splay and 45° cut-off. Perforated metal plasterframe allows ceiling compound to be applied directly to the edge of the fixture. Finished in white, black, industrial silver, stainless steel (painted), and custom colors.

C...System Protection:

Thermal protection inside housing. Vent holes in housing provide cooler operation. All aluminum construction provides overall reduced temperatures.

D...Electrical

Electronic or magnetic transformer housed in a separate metal enclosure. Enclosure includes a separated wiring compartment and entry for primary leads.

E...Lamp

12V MR16 or MR16 IRC 20 watts max. (not included). "POSI-GRIP" bi-pin lamp socket for firm, mechanical lamp connection. Can accept up to two (2) optical accessories.

Ceiling Cut-Out: 3.50" dia.



LYNX

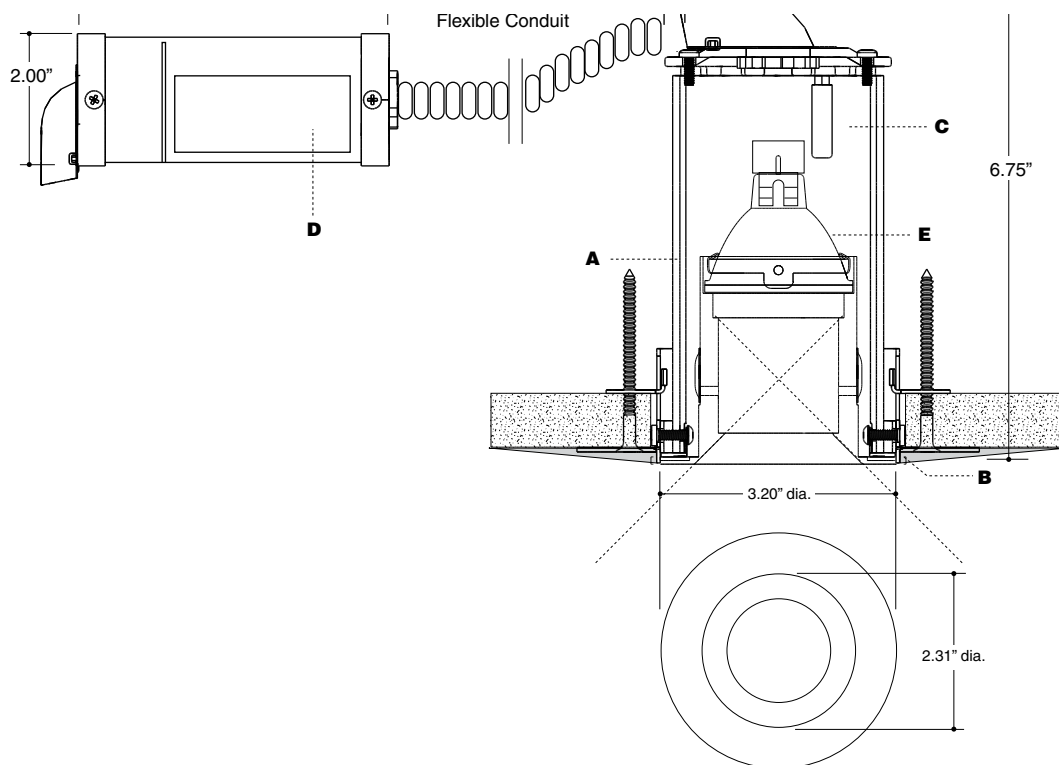
LX3004TR Miniature Round Trimless Fixture w/ Smooth Regressed Splay 45° Cut-Off

Cylindrical Housing Transformer/Wiring Enclosure

12V MR16 20 watts max.
12V MR16-IRC 20 watts max.



U.L. Listed. Suitable for use in combustible ceilings.



ORDERING INFORMATION

LX3004TR			
-----------------	--	--	--

Fixture LX3004TR

Regressed Lynx Trimless
Fixture with Smooth Regressed
Splay and 45° Cut-off & Housing
& Transformer Enclosure

Finish

WH = White
BK = Black
S = Industrial Silver
SS = Stainless Steel (painted)
PM = Primer

Transformer

ELC = Electronic
MAG = Magnetic

Voltage

120 = 120 volts
277 = 277 volts