

DESCRIPTION

Miniature cylindrical recessed housing and round Trimless Fixture with smooth regressed splay and 45° cut-off. Includes enclosure with integral electronic metal halide ballast and wiring compartment.

For new construction or remodel applications. Insulation must be kept 3" from all sides and at least 1" above the housing.

Catalog #		Type
Project		
Comments		Date
Prepared by		

SPECIFICATION FEATURES

A...Housing

All aluminum construction with 18" of flexible conduit attached to a cylindrical ballast/wiring enclosure. Perforated metal plasterframe adjusts for Trim Fixtureless mounting in 1/2" - 3/4" drywall.

B...Trimless Fixture:

3.2" o.d. round Trimless Fixture with smooth regressed splay and 45° cut-off. Perforated metal plasterframe allows ceiling compound to be applied directly to the edge of the fixture. Finished in white, black, industrial silver, stainless steel (painted), and custom colors.

C...System Protection:

Thermal protection inside housing. Vent holes in housing provide cooler operation. All aluminum construction provides overall reduced temperatures.

D...Electrical

Electronic metal halide ballast housed in a separate metal enclosure. Enclosure includes a separated wiring compartment and entry for primary leads.

E...Lamp

ES16 or CMHMR16 Metal Halide in 20 watts. (not included). GX10 twist-lock lamp socket for firm, mechanical lamp connection. Can accept up to two (2) optical accessories.

Ceiling Cut-Out: 3.50" dia.



LYNX

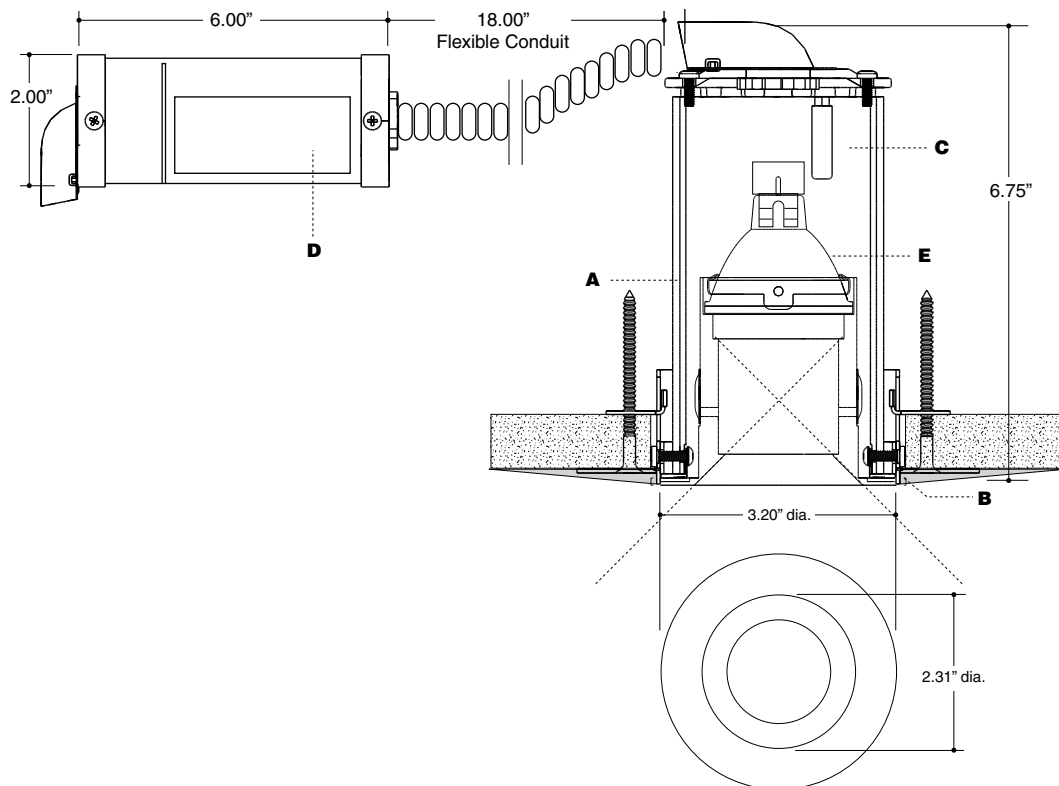
LX3004TRMH Miniature Round Trimless Fixture w/ Smooth Regressed Splay 45° Cut-Off

Cylindrical Housing Ballast/Wiring Enclosure

ES16 Metal Halide 20 watts
CMHMR16 Metal Halide 20 watts



U.L. Listed. Suitable for use in combustible ceilings.



ORDERING INFORMATION

LX3004TRMH			
-------------------	--	--	--

Fixture

LX3004TRMH
Regressed Lynx Trimless
Fixture with Smooth Regressed
Splay and 45° Cut-off & Housing
& Ballast Enclosure

Finish

WH = White
BK = Black
S = Industrial Silver
SS = Stainless Steel (painted)
PM = Primer

Lamp/Ballast Wattage

20 = 20 watts

Voltage

120 = 120 volts
277 = 277 volts