

DESCRIPTION

Miniature cylindrical recessed housing and round trim with smooth regressed splay and 45° cut-off. Includes enclosure with integral electronic metal halide ballast and wiring compartment.

For new construction or remodel applications. Insulation must be kept 3" from all sides and at least 1" above the housing.

Catalog #		Type
Project		
Comments		Date
Prepared by		

SPECIFICATION FEATURES

A...Housing

All aluminum construction with 18" of flexible conduit attached to a cylindrical transformer/wiring enclosure. Swing out mounting clips form pressure fit for mounting in 1/2" - 3/4" drywall.

B...Trim:

3.5" o.d. round trim with smooth regressed splay and 45° cut-off. Finished in white, black, industrial silver, stainless steel (painted), and custom colors.

C...System Protection:

Thermal protection inside housing. Vent holes in housing provide cooler operation. All aluminum construction provides overall reduced temperatures.

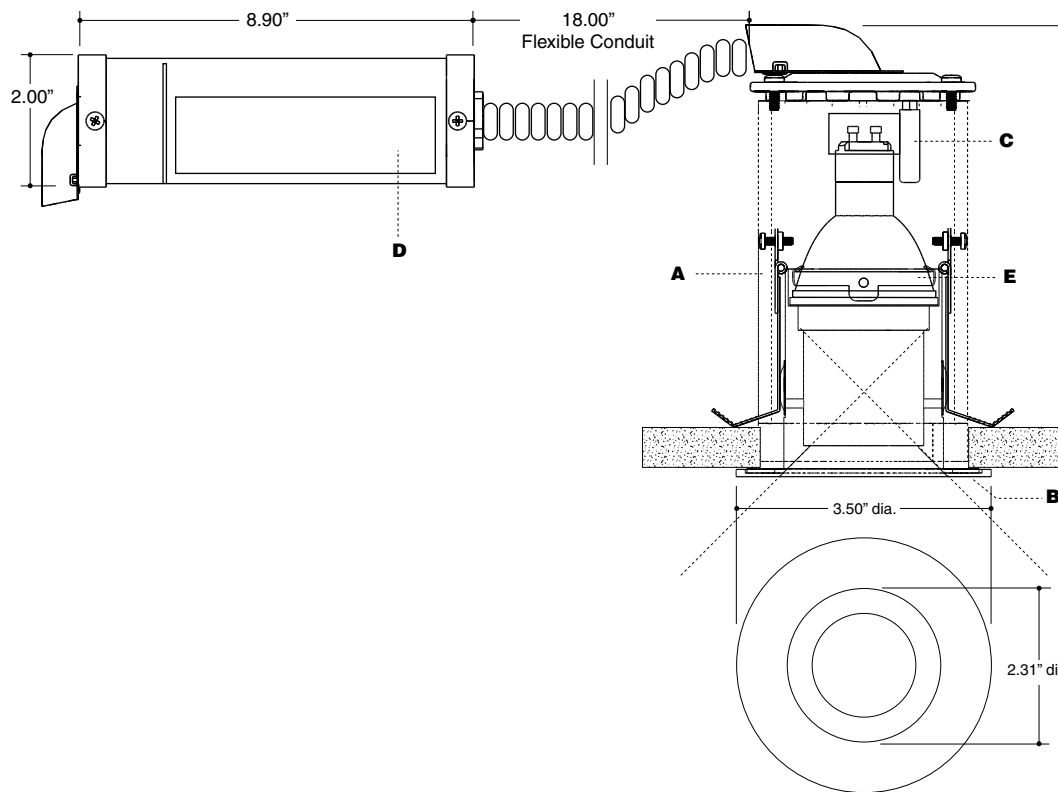
D...Electrical

Electronic metal halide ballast housed in a separate metal enclosure. Enclosure includes a separated wiring compartment and entry for primary leads.

E...Lamp

ES16 or CMHMR16 Metal Halide in 20 watts. (not included). GX10 twist-lock lamp socket for firm, mechanical lamp connection. Can accept up to two (2) optical accessories.

Ceiling Cut-Out: 3.19" dia.



LYNX

LX3004MH Miniature Round Trim w/ Smooth Regressed Splay 45° Cut-Off

Cylindrical Housing Ballast/Wiring Enclosure

ES16 Metal Halide 20 watts
CMHMR16 Metal Halide 20 watts



U.L. Listed. Suitable for use in combustible ceilings.

ORDERING INFORMATION

LX3004MH			
Fixture LX3004MH Regressed Lync Trim with Smooth Regressed Splay, 45° Cut-Off & Housing & Ballast Enclosure	Finish WH = White BK = Black S = Industrial Silver SS = Stainless Steel (painted) PM = Primer	Lamp/Ballast Wattage 20 = 20 watts	Voltage 120 = 120 volts 277 = 277 volts