

LYNX FIXTURE, TRIMLESS

Model: LX3001TR/LX3002TR/LX3003TR



Avoid Fire or Electric Shock

This product **MUST** be installed in accordance with the applicable installation code by a person familiar with the construction and operation of the product and the hazards involved.

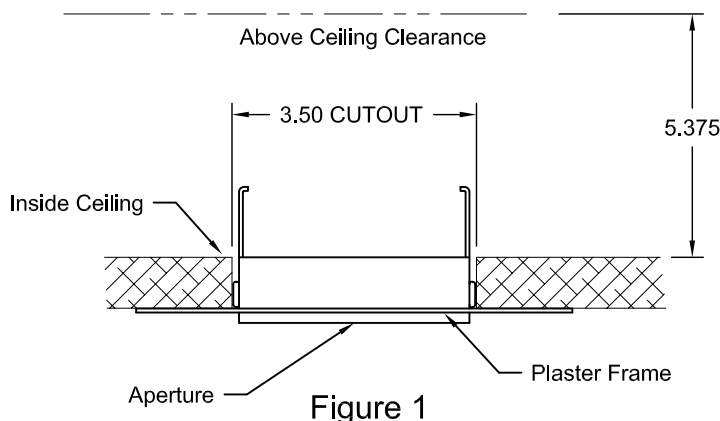


DO NOT install insulation within 76mm (3") of any part of the luminaire. Blinking light of this thermally-protected luminaire may indicate overheating.

*Read Installation Instructions completely before installation.
*Failure to follow Installation Instructions may void warranties.

Pre-Installation

1. Check for Above Ceiling Clearance of 5.375. See Fig. 1.
2. Make 3.50 diameter Cutout in Ceiling. See Fig. 1.
3. Remove two (2) Short Panhead Screws from inside of Housing/Plaster Frame Assembly. See Fig. 4, Detail A. Retain Screws for re-installation.
4. Slide Housing out from Plaster Frame.
5. Remove two (2) Long Flathead Screws from Plaster Frame. See Fig. 2.
2. Retain Screws for re-installation.
6. Remove two (2) Brackets from Plaster Frame. See Fig. 2.



Installation of Plaster Frame

1. Insert Plaster Frame into Cutout in Ceiling. See Fig. 1.
2. Insert two (2) Brackets through opening in Plaster Frame and into Slots in Plaster Frame. Turn 90° to seat in Slot. See Fig. 2.
2. Retain Brackets using two (2) Long Flathead Screws.
4. Continue tightening Flathead Screws until Brackets hold Plaster Frame firmly against Ceiling. See Fig. 2. Do NOT overtighten screws!
5. Tape and Mudd Plaster Frame/Aperture surface to a smooth finish. See Fig. 2.

Installation of Plaster Frame (Con't)

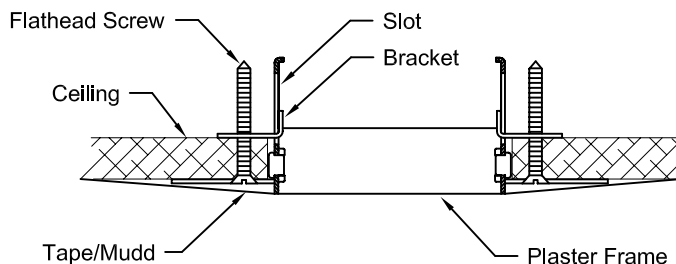


Figure 2
(Section through Plaster Frame)

Electrical Connection

1. Turn OFF Electrical Service.
2. Pull Existing Electrical Wiring down through Plaster Frame to wire.
3. Connect electrical wires from Transformer Housing to Existing Electrical Service via 1/2" Pullbox or other end user supplied wiring method. See Fig. 3.
4. Insert Transformer Housing, Pullbox (if used) and Wiring through Plaster Frame and into Ceiling. See Fig. 3.
5. Rotate Transformer Housing 90° and, with it resting on Inside of Ceiling, push to side to clear Plaster Frame in Ceiling. See Fig. 4.

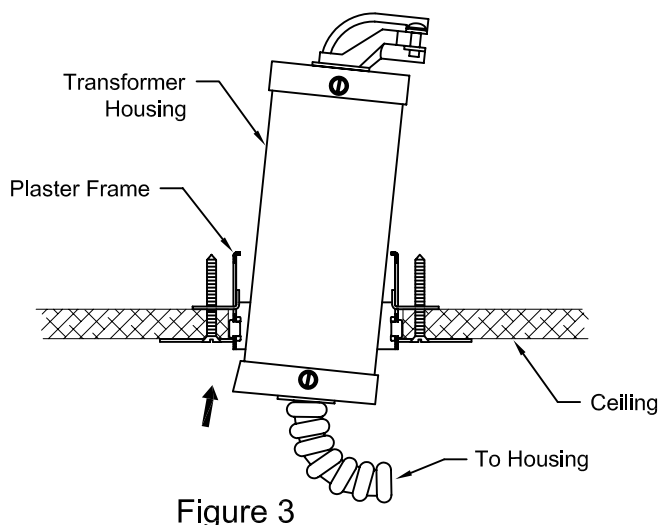


Figure 3



L I G H T I N G

INSTALLATION INSTRUCTIONS V90196A

LYNX FIXTURE, TRIMLESS

Model: LX3001TR/LX3002TR/LX3003TR



Installation Of Housing/Lamp Assy

1. Insert Housing into Plaster Frame and retain to Plaster Frame using two (2) Short Panhead Screws removed earlier. See Fig. 4, Detail A. Do NOT overtighten Screws!
2. Install Lamp Assembly into Housing until it Seats in Housing. See Fig. 4.

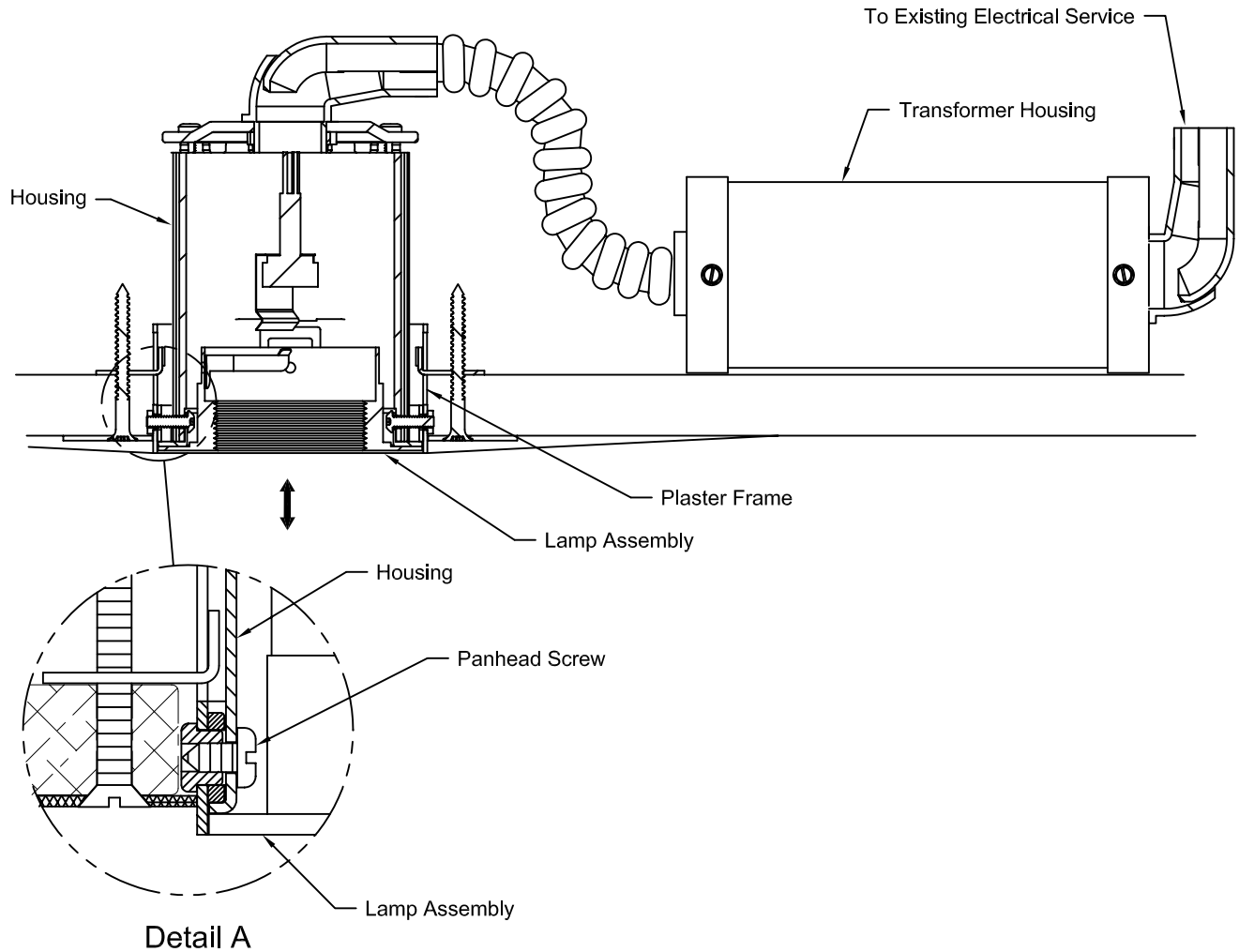


Figure 4