



INSTALLATION INSTRUCTIONS V90198A

LYNX FIXTURE, TRIMMED Model: LX3001/LX3002/LX3003



Avoid Fire or Electric Shock

This product **MUST** be installed in accordance with the applicable installation code by a person familiar with the construction and operation of the product and the hazards involved.



DO NOT install insulation within 76mm (3") of any part of the luminaire. Blinking light of this thermally-protected luminaire may indicate overheating.

*Read Installation Instructions completely before installation.
*Failure to follow Installation Instructions may void warranties.

Pre-Installation Preparation

1. Check for Above Ceiling Clearance of 5.375. See Fig. 1.
2. Make Ø3.10" Cutout in Ceiling. See Fig. 1.

Electrical Connection

1. Turn OFF Electrical Service.
2. Connect electrical wires from Transformer Housing to Existing Electrical Service. See Fig. 1.
3. Insert Transformer Housing through Cutout in Ceiling. See Fig. 1.
4. Rotate Transformer Housing 90° and, with it resting on Inside of Ceiling, push to side to clear Cutout in Ceiling. See Fig. 1 & Fig. 2.

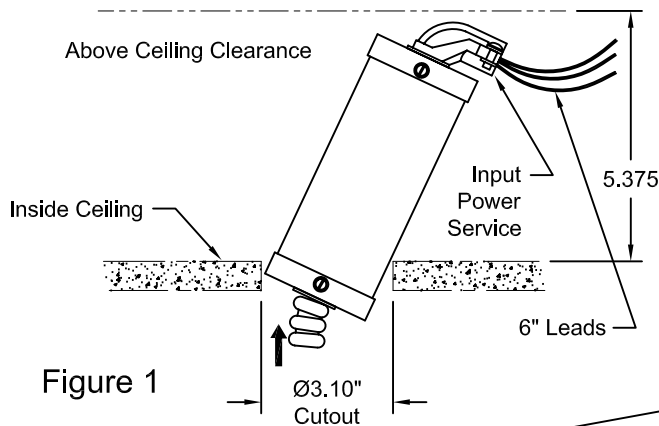


Figure 1

Installation Of Housing

1. Place Fixture Housing into Ceiling Cutout being sure that the two (2) Spring Clips are Disengaged. See Fig. 2 & Fig. 3.
2. Holding Fixture Housing firmly in place, push Spring Clips outward to Engage. See Fig. 2 & Fig. 3.
3. Install Trim into Fixture Housing until it Seats against the Ceiling. See Fig. 2 & Fig. 4.

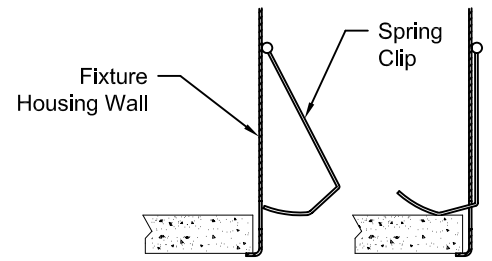


Figure 3

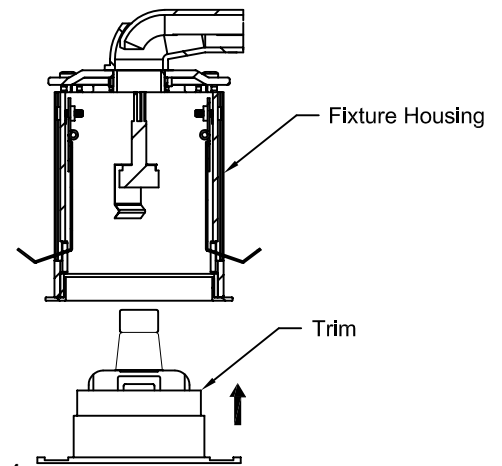


Figure 4

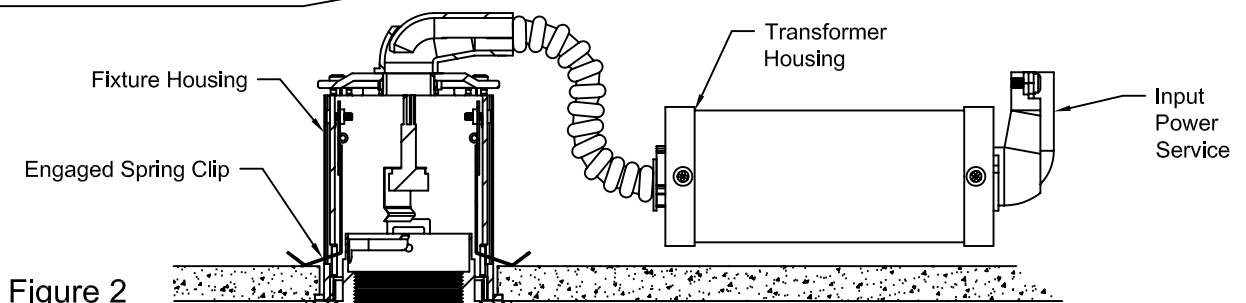


Figure 2