

## DESCRIPTION

Miniature cylindrical recessed housing and round trim with regressed black baffle. Includes enclosure with integral transformer and wiring compartment.

For new construction or remodel applications. Insulation must be kept 3" from all sides and at least 1" above the housing.

<b>Catalog #</b>		<b>Type</b>
<b>Project</b>		
<b>Comments</b>		<b>Date</b>
<b>Prepared by</b>		

## SPECIFICATION FEATURES

### A...Housing

All aluminum construction with 18" of flexible conduit attached to a cylindrical transformer/wiring enclosure. Swing out mounting clips form pressure fit for mounting in 1/2" - 3/4" drywall.

### B...Trim:

3.5" o.d. round trim with regressed black baffle. Finished in white, black, industrial silver, stainless steel (painted), and custom colors.

### C...System Protection:

Thermal protection inside housing. Vent holes in housing provide cooler operation. All aluminum construction provides overall reduced temperatures.

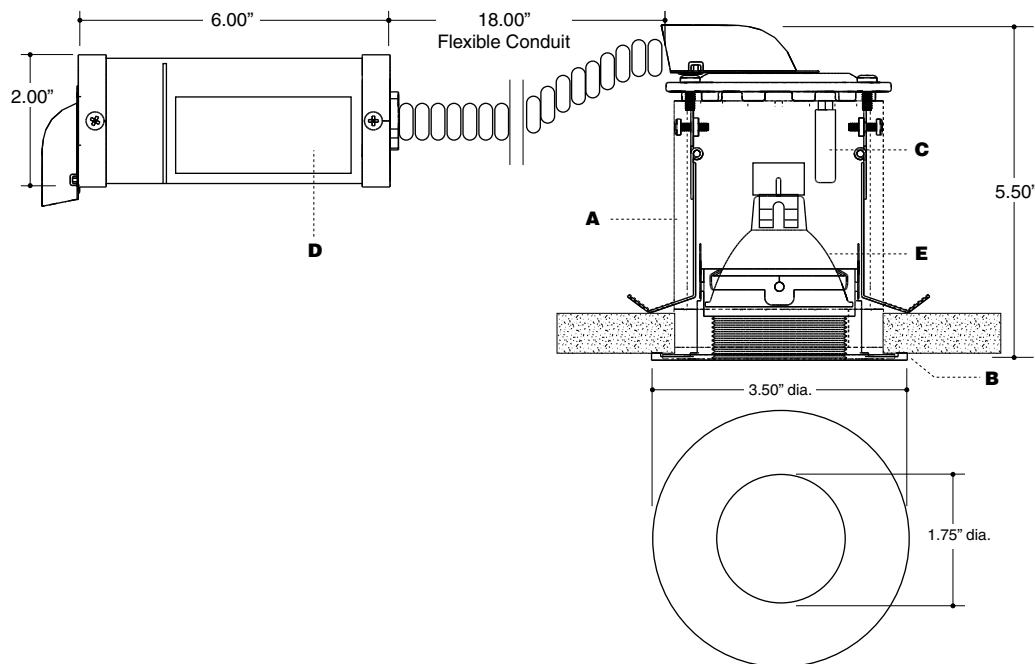
### D...Electrical

Electronic or magnetic transformer housed in a separate metal enclosure. Enclosure includes a separated wiring compartment and entry for primary leads.

### E...Lamp

12V MR16 37 watts max. (not included)  
"POSI-GRIP" bi-pin lamp socket for firm, mechanical lamp connection. Can accept up to two (2) optical accessories.

**Ceiling Cut-Out: 3.19" dia.**



## LYNX

### LX3001 Miniature Round Trim w/ Regress Black Baffle

### Cylindrical Housing Transformer/Wiring Enclosure

12V MR16 37 watts max.



U.L. Listed. Suitable for use in combustible ceilings.

## ORDERING INFORMATION

<b>LX3001</b>			
<b>Fixture</b> LX3001 Regressed Black Baffle Lync Trim with Housing & Trans- former Enclosure	<b>Finish</b> WH = White BK = Black S = Industrial Silver SS = Stainless Steel (painted) PM = Primer	<b>Transformer</b> ELC = Electronic MAG = Magnetic	<b>Voltage</b> 120 = 120 volts 277 = 277 volts