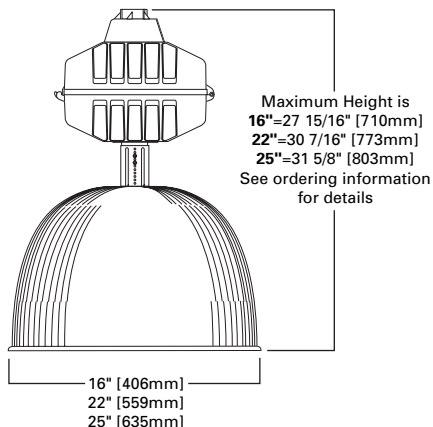


DIMENSIONS



DESCRIPTION

The BenchMark HB prismatic high-bay utilizes a durable heavy-duty die-cast aluminum ballast housing and prismatic acrylic reflector for maximum durability and photometric performance. U.L. listed and CSA certified. Damp location standard.

The BenchMark HB prismatic high-bay is perfect for retail stores, wholesale warehouses, grocery chains, malls and auto showrooms.



HB 16", 22" & 25" PRISMATIC BENCHMARK

175 - 1000 W
High Pressure Sodium
Pulse Start Metal
Metal Halide

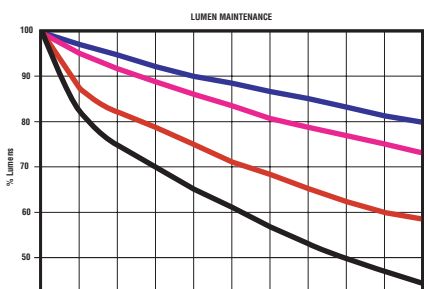
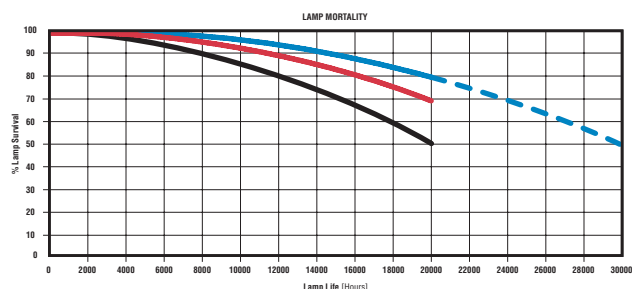
**HEAVY-DUTY
PRISMATIC HIGH-BAY
INDUSTRIAL LUMINAIRE**

ORDERING INFORMATION

SAMPLE NUMBER: HPHB-PD16-M-250-MT-Q

| | | | | | | | |
|--|--|---|---|--|--|---|--|
| Lamp Type HP=High Pressure Sodium ¹ MH=Metal Halide ² MP=Pulse Start MH (CWA) ² ML=Pulse Start MH (Linear Reactor) ^{2,3,4} MD=Pulse Start Metal Halide (Electronic) ^{2,5,6} | Series HB=High-Bay BenchMark | Refractor Type PD=Prismatic Acrylic | Refractor Diameter 16=16" 22=22" 25=25" | Socket Position/ Distribution⁷ C=Concentrated M=Medium W=Wide | Lamp Wattage 175=175W 200=200W 250=250W 320=320W 350=350W 400=400W 450=450W 600=600W ⁸ 750=750W 1000=1000W | Voltage⁹ 120V 208V ⁶ 240V ⁶ 277V ⁶ 347V 480V MT=Multi-Tap ¹⁰ TT=Triple-Tap ¹¹ 5T=5-Tap ¹² E=Electronic ⁶ | Options & Accessories¹³ (See Pages 541-545) |
|--|--|---|---|--|--|---|--|

LAMP MORTALITY AND LUMEN MAINTENANCE COMPARISONS



NOTE: Lamp Mortality and Lumen Maintenance Charts Courtesy of VENTURE®

| Refractor Type | Lamp Wattage | Ambient Environment | Supply Wire (Min.) |
|----------------|--------------|---------------------|--------------------|
| PD16 | 175-400W | 40°C (ECON)* | 105°C |
| PD22 | 175-450W | 55°C (Open) or | |
| PD25 | 400-1000W | 40°C (Enclosed)** | |

NOTES: * Electronic Pulse Start Metal Halide.
** PD16 enclosed is 250W only. PD25 enclosed is 400W only.

NOTES: 1 Not available in 175, 200, 320, 350, 450 and 750W. 2 Approved lamp containment barrier required when enclosed rated MP/ML/MH lamps are used. 2005 NEC code requires that open luminaires must utilize a safety glass bottom (SGB) accessory or an Open rated socket (OR) and lamp. 3 175, 200, 250, 320, 350 & 400W only. 4 277V only, not available with HSW, HL or HC options. 5 "MD" option available on PD22 and PD25 with 250, 320, 350 or 400W Pulse Start Metal Halide only. 6 MD available in 208, 240 or 277V or with "E" option which will operate voltages from 200-277V 50/60 Hz. 7 Factory set for concentrated, medium or wide distributions only if P (factory pre-set) is in the nomenclature of the fixture. 8 HPS only. 9 Products also available in non-US voltages and 50Hz for international markets. Consult factory for availability and ordering information. 10 Multi-tap ballast 120/208/240/277V wired 277V. 11 Triple-tap ballast 120/277/347V wired 347V. 12 5-tap ballast 120/208/240/277/480V wired 480V. 13 Add as suffix in the order shown. 14 Specifications and dimensions subject to change without notice.

- Easy slide-on die-cast aluminum mounting box with tapped opening for 3/4" conduit
- Durable heavy-duty die-cast aluminum housing for lasting performance in the harshest environments. Integrally hinged for ease of maintenance with optional toolless entry. Finished in a standard white polyester powder paint
- High power factor ballast with class H insulation. ECON™ electronic ballast technology delivers longer lamp life and improved lumen output while maintaining a constant lamp wattage. Minimum starting temperature is -40°C (-40°F) for HPS and -30°C (-20°F) for MH
- Universal ladder brackets allow for the flexibility to change out with other reflectors / refractors available in aluminum or glass
- Mogul-base porcelain socket
- Easily mounted prismatic acrylic refractor has multiple field-adjustable distribution patterns for precision control
- Approximate net weight: 37 lbs. (17 kgs.)