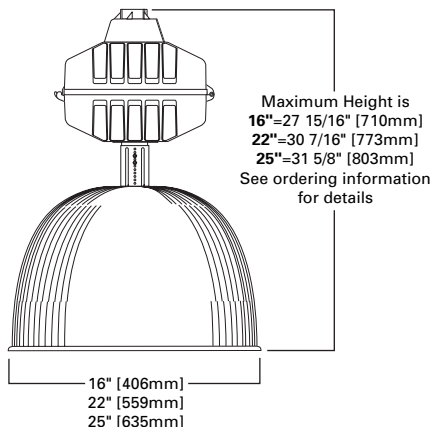


## DIMENSIONS



## DESCRIPTION

The BenchMark HB prismatic high-bay utilizes a durable heavy-duty die-cast aluminum ballast housing and prismatic acrylic reflector for maximum durability and photometric performance. U.L. listed and CSA certified. Damp location standard.

The BenchMark HB prismatic high-bay is perfect for retail stores, wholesale warehouses, grocery chains, malls and auto showrooms.



## HB 16", 22" & 25" PRISMATIC BENCHMARK

**175 - 1000 W**

High Pressure Sodium  
Pulse Start Metal  
Metal Halide

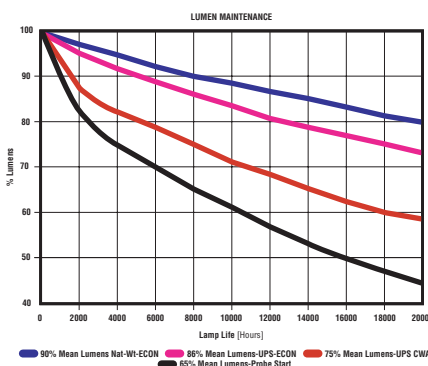
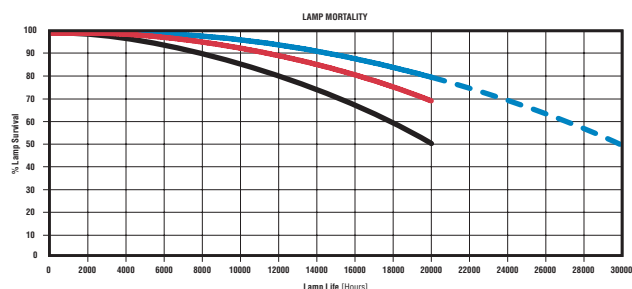
HEAVY-DUTY  
PRISMATIC HIGH-BAY  
INDUSTRIAL LUMINAIRE

## ORDERING INFORMATION

SAMPLE NUMBER: HPHB-PD16-M-250-MT-Q

<b>Lamp Type</b> HP=High Pressure Sodium <sup>1</sup> MH=Metal Halide <sup>2</sup> MP=Pulse Start MH (CWA) <sup>2</sup> ML=Pulse Start MH (Linear Reactor) <sup>2,3,4</sup> MD=Pulse Start Metal Halide (Electronic) <sup>2,5,6</sup>	<b>Series</b> HB=High-Bay BenchMark	<b>Refractor Type</b> PD=Prismatic Acrylic	<b>Refractor Diameter</b> 16=16" 22=22" 25=25"	<b>Socket Position/ Distribution<sup>7</sup></b> C=Concentrated M=Medium W=Wide	<b>Lamp Wattage</b> 175=175W 200=200W 250=250W 320=320W 350=350W 400=400W 450=450W 600=600W <sup>8</sup> 750=750W 1000=1000W	<b>Voltage<sup>9</sup></b> 120V 208V <sup>6</sup> 240V <sup>6</sup> 277V <sup>6</sup> 347V 480V MT=Multi-Tap <sup>10</sup> TT=Triple-Tap <sup>11</sup> 5T=5-Tap <sup>12</sup> E=Electronic <sup>6</sup>	<b>Options &amp; Accessories<sup>13</sup></b> (See Pages 541-545)
--	--	---	---	--	--	---	--

## LAMP MORTALITY AND LUMEN MAINTENANCE COMPARISONS



NOTE: Lamp Mortality and Lumen Maintenance Charts Courtesy of VENTURE®

Refractor Type	Lamp Wattage	Ambient Environment	Supply Wire (Min.)
PD16	175-400W	40°C (ECON)*	<b>105°C</b>
PD22	175-450W	55°C (Open) or	
PD25	400-1000W	40°C (Enclosed)**	

NOTES: \* Electronic Pulse Start Metal Halide.  
 \*\* PD16 enclosed is 250W only. PD25 enclosed is 400W only.

NOTES: 1 Not available in 175, 200, 320, 350, 450 and 750W. 2 Approved lamp containment barrier required when enclosed rated MP/ML/MH lamps are used. 2005 NEC code requires that open luminaires must utilize a safety glass bottom (SGB) accessory or an Open rated socket (OR) and lamp. 3 175, 200, 250, 320, 350 & 400W only. 4 277V only, not available with HSW, HL or HC options. 5 "MD" option available on PD22 and PD25 with 250, 320, 350 or 400W Pulse Start Metal Halide only. 6 MD available in 208, 240 or 277V or with "E" option which will operate voltages from 200-277V 50/60 Hz. 7 Factory set for concentrated, medium or wide distributions only if P (factory pre-set) is in the nomenclature of the fixture. 8 HPS only. 9 Products also available in non-US voltages and 50Hz for international markets. Consult factory for availability and ordering information. 10 Multi-tap ballast 120/208/240/277V wired 277V. 11 Triple-tap ballast 120/277/347V wired 347V. 12 5-tap ballast 120/208/240/277/480V wired 480V. 13 Add as suffix in the order shown. 14 Specifications and dimensions subject to change without notice.

- Easy slide-on die-cast aluminum mounting box with tapped opening for 3/4" conduit
- Durable heavy-duty die-cast aluminum housing for lasting performance in the harshest environments. Integrally hinged for ease of maintenance with optional toolless entry. Finished in a standard white polyester powder paint
- High power factor ballast with class H insulation. ECON™ electronic ballast technology delivers longer lamp life and improved lumen output while maintaining a constant lamp wattage. Minimum starting temperature is -40°C (-40°F) for HPS and -30°C (-20°F) for MH
- Universal ladder brackets allow for the flexibility to change out with other reflectors / refractors available in aluminum or glass
- Mogul-base porcelain socket
- Easily mounted prismatic acrylic refractor has multiple field-adjustable distribution patterns for precision control
- Approximate net weight: 37 lbs. (17 kgs.)